

Incremental-Encoder IH 92 V

TR-VCE-TI-GB-0641
04/12 Revision 01
010101-00929999-9999



- + Incremental interface
- + Type with hollow through shaft \varnothing 20 or 22 mm
- + Number of pulses per revolution:
 - Version with 9.000 ppr
 - Version with 10.000 ppr
 - Version with 18.000 ppr
- + High accuracy, thus it is applicable as a measuring encoder

Characteristics

Supply voltage.....	11...27 VDC
5 VDC, $\pm 5\%$	on request
Current consumption without load.....	≤ 100 mA
Accuracy	
- Version with 9.000 ppr.....	$\pm 7''$
- Version with 10.000 ppr.....	$\pm 6''$
- Version with 18.000 ppr.....	$\pm 5''$
Interpolation, optional	internal 5/10/25/50 times interpolation
Signal outputs	Square wave
Outputs (11-27 V level)	Push-Pull, short-circuit-proof
- Output current	≤ 20 mA
- Incremental signal, optional with inverting.....	K1, K2 phase-shifted 90° electrically
- Zero-pulse, optional with inverting	K0, 1x per revolution, length 90° , 180° , 360° electrically
- Output frequency	≤ 300 kHz
Outputs (5 V level)	Line driver
- Output current	≤ 20 mA
- Incremental signals, optional with inverting	K1, K2 phase-shifted 90° electrically
- Zero-pulse, optional with inverting	K0, 1x per revolution, length 90° , 180° , 360° electrically
- Output frequency	≤ 1 MHz
Mechanically permissible speed	≤ 4.000 min ⁻¹
Shaft load.....	Own mass
Connection.....	Cable outlet radial, cable length on request
Mass.....	approx. 1.2 kg

Subject to change

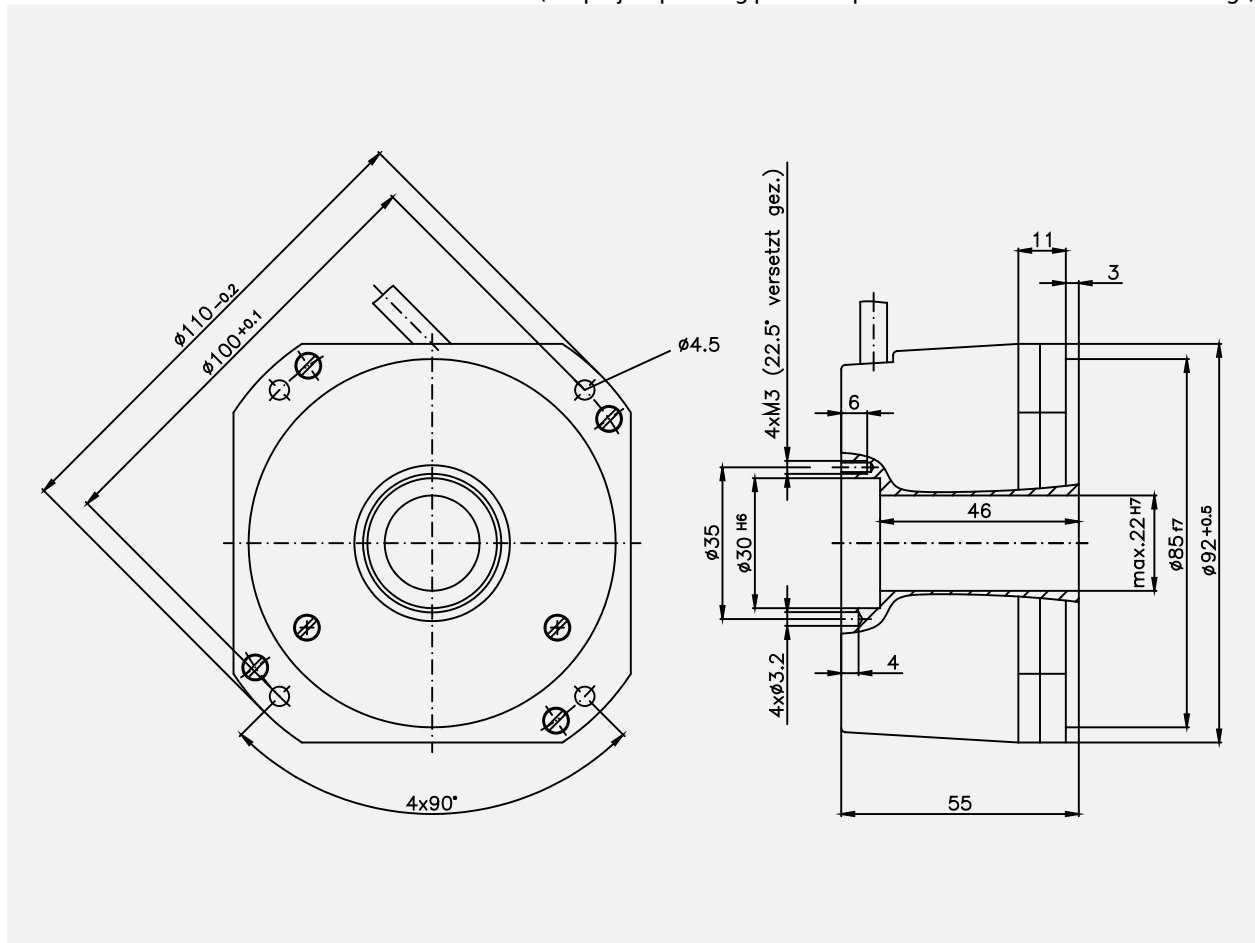
Environmental conditions

Vibration, DIN EN 60068-2-6: 1996	≤ 100 m/s ² , sine 20-2000 Hz
Shock, DIN EN 60068-2-27: 1995.....	≤ 1000 m/s ² , half-sine 11ms
EMC	
- Immunity to disturbance, DIN EN 61000-6-2: 2006	
- Transient emissions, DIN EN 61000-6-3: 2007	
Working temperature.....	0 °C...+80 °C
Storage temperature	-30 °C...+80 °C, dry
Relative humidity, DIN EN 60068-3-4: 2002	98 %, non condensing
Protection class, DIN EN 60529: 1991 *).....	IP 64

*) valid with screwed on mating connector and / or screwed together cable gland

Dimension drawing

(For project planning please request customized dimensional drawing!)



Subject to change