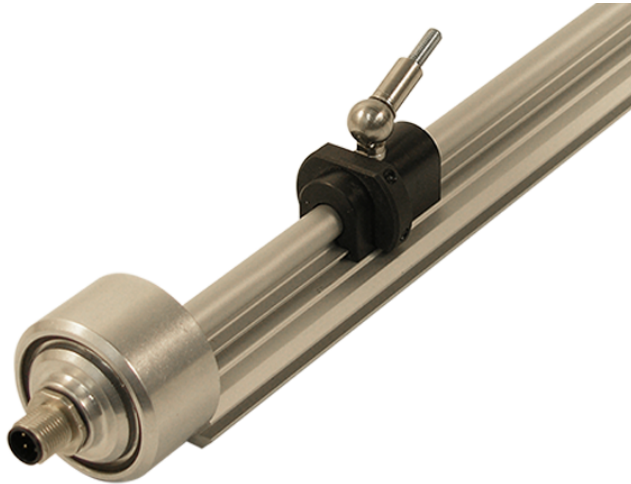


Linear-Transducer LMP48 - SSI



Ref.: K-LMP48-SSI-1

09.04.2014

01020102000206

Advantages

- Compact construction
- Further interfaces available
- Measures linear movements
- Profile housing
- Wear-free detection

General Data

Supply	
- Supply voltage	24 VDC \pm 20 %
Measuring principle	magnetostrictive
Measuring length, standard	30...3000 mm, in steps
Resolution	0.05 mm
Linearity deviation	< 0.01 % FS, \geq 60 μ m
Reproducibility	< 0.005 % FS, \geq 50 μ m
Straight line velocity	no restrictions
Mounting position	no restrictions
Material - Measuring body	Aluminium extruded profile
Magnet	T1-S3818
	other on request
SSI - Interface	
- SSI-Clock input	Optocoupler
- SSI-Data output	RS-422, 2-wire
Cycle time internal, \leq 0.50 m	0.50 ms
Cycle time internal, \leq 1.00 m	1.00 ms
Cycle time internal, \leq 1.50 m	1.50 ms

Subject to change.

TR-Electronic GmbH
Eglshalde 6
78647 Trossingen
Tel. +49 (0) 7425 228-0
info@tr-electronic.de
www.tr-electronic.de

Linear-Transducer LMP48 - SSI

Ref.: K-LMP48-SSI-1

09.04.2014

01020102000206

Environmental conditions

Immunity to disturbance	DIN EN 61000-6-2
Transient emissions	DIN EN 61000-6-3
Working temperature	
- Standard	-20...+75 °C
- Optional	-40...+75 °C;
Storage temperature, dry	-30...+85 °C
Relative humidity	98 %, non condensing
Protection class	
- Standard	IP67
Stray magnetic field	< 3 mT
Measuring reference	Measuring plane

Subject to change.

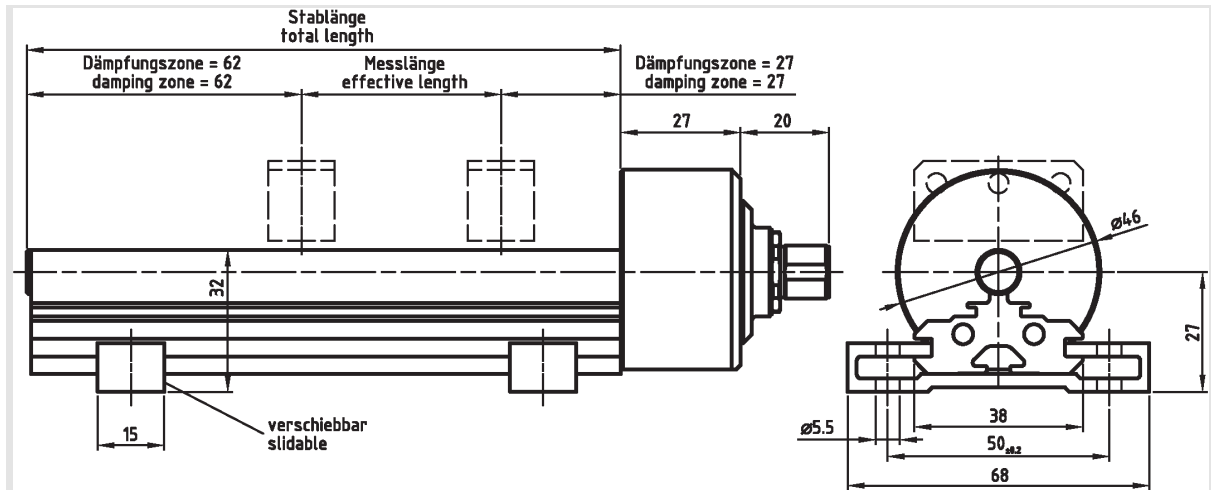
Linear-Transducer LMP48 - SSI

Ref.: K-LMP48-SSI-1

09.04.2014

01020102000206

Dimensional drawing



Subject to change.