



FM



AISI316L



FM M 6 / A P - 3 H

FM	
E	M8
M	M12
K	M18
T	M30
S	
6	
1	
A	
B	+
C	
P	PNP
N	NPN
3	-
H	M12
F	M8



				()	PNP	NPN	PNP	NPN
M8			M8	2	FMES/AP-3F	FMES/AN-3F	FMES/CP-3F	FMES/CN-3F
M8					FME1/AP-3F	FME1/AN-3F	FME1/CP-3F	FME1/CN-3F
M12			M12	3	FMM6/AP-3H	FMM6/AN-3H	FMM6/CP-3H	FMM6/CN-3H
M12					FMM1/AP-3H	FMM1/AN-3H	FMM1/CP-3H	FMM1/CN-3H

				()	PNP	NPN	PNP +	NPN +
M18			M12	5	-	-	FMK6/BP-3H	FMK6/BN-3H
M30				10	-	-	FMT6/BP-3H	FMT6/BN-3H

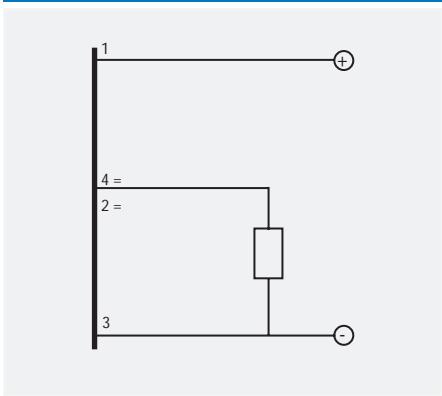
	FE 360				
FMES / FME1	1	0	0	0	0,3
FMM6 / FMM1	1	0	0	0,1	0,53
FMK6	1	0	0,13	0,27	0,7
FMT6	1	0	0	0,1	0,67



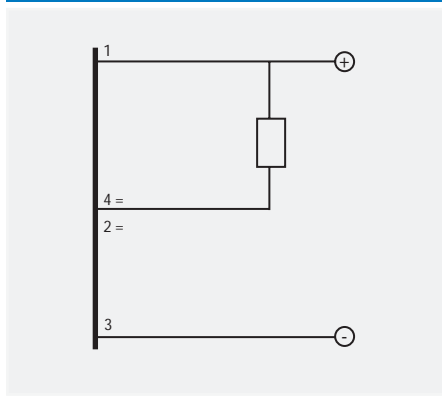
	FMES / FME1	FMM6 / FMM1	FMK6	FMT6
	M8	M12	M18	M30
	2	3	5	10
	0.25	0.50		1
	IK05		IK08	IK10
	80			
	0...1.62	0...2.43	0...4	0...8.1
	1 ... 20%			
	8X8 FE360	12X12 FE360	18X18 FE360	30X30 FE360
	5% Ub 20-30 Ta=23°C±5°C5%			
	10 ... 30		/	
	≤ 10%			
	≤ 200			
	≤ 1.5 @ 200 A			
	PNP		NPN -	; +
	.			
	≤ 10 A			
	10 A			
	250	200	100	80
	≤ 50			
	-25° ... +70°C			
	10% Sr			
	•			
	•			
	•			
LED-	()			
	IP 67 ⁽¹⁾ / IP 68 / IP 69K			
	IEC 60947-5-2			
	IEC 60947-5-2			
	AISI 316L			
	AISI 316L			
	M8			M12



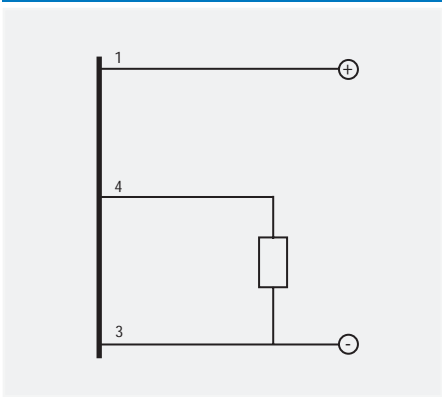
M12 PNP



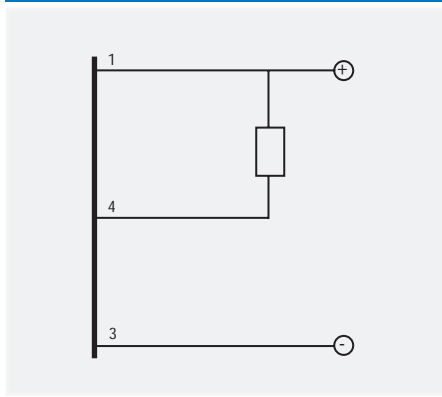
M12 NPN



M8 PNP

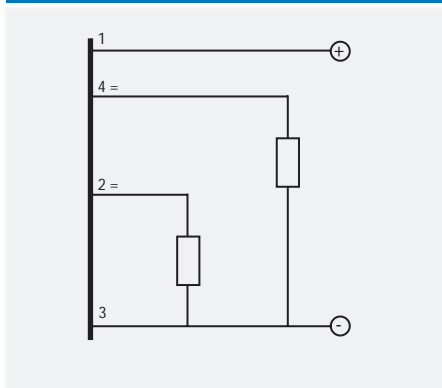


M8 NPN

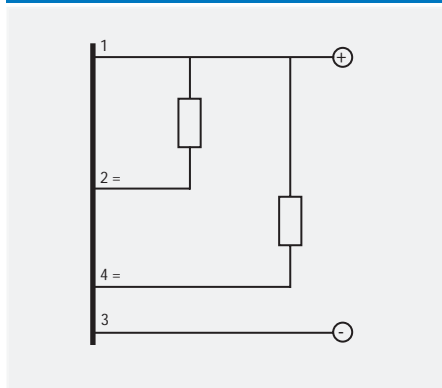


- BN
- BU
- BK
- WH

PNP - +



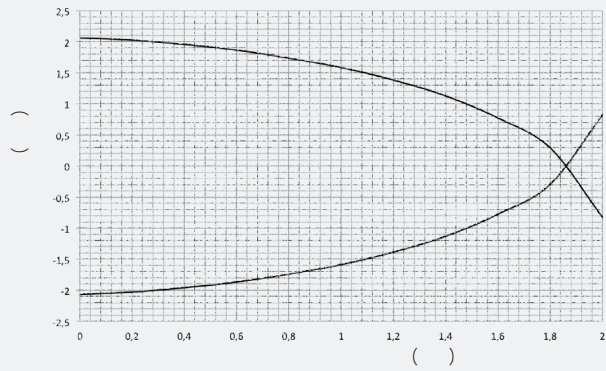
NPN - +



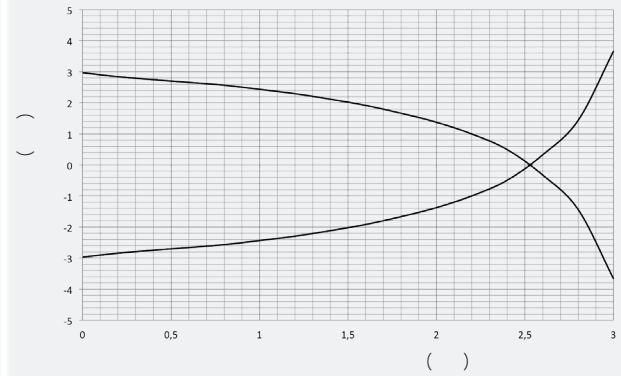
- BN
- BU
- BK
- WH



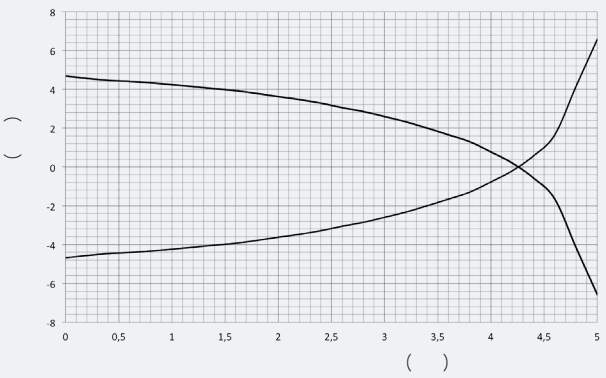
FMES / FME1



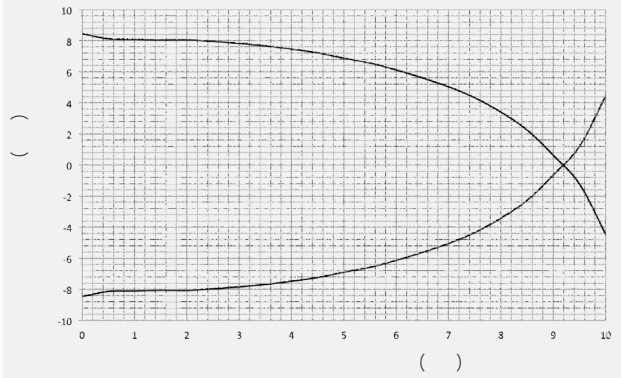
FMM6 / FMM1



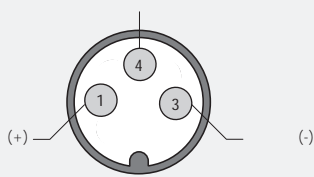
FMK6



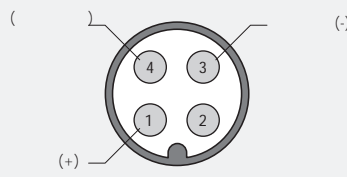
FMT6



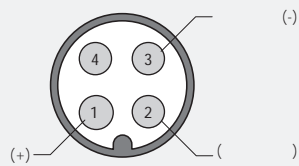
M8



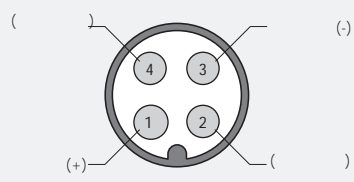
M12 -



M12 -

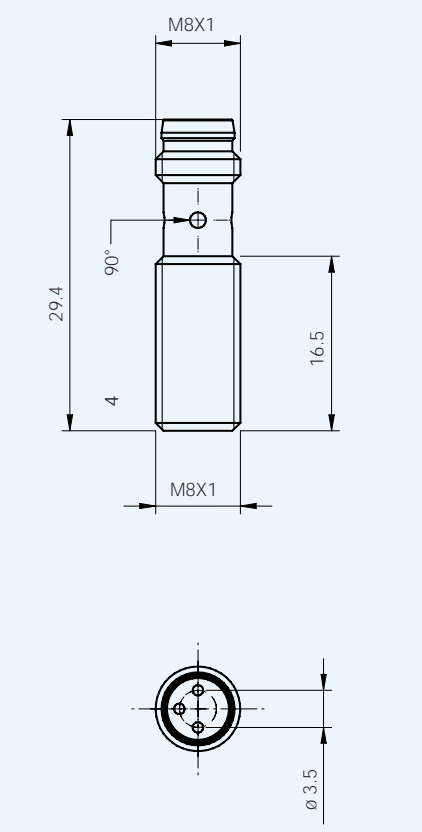


M12 - +

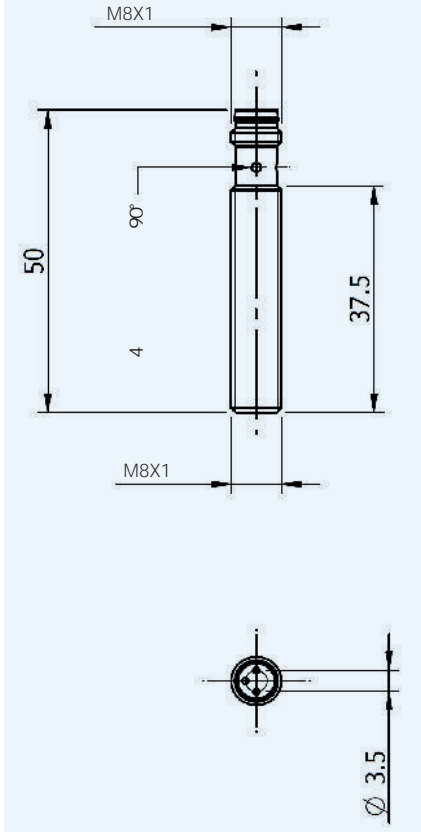




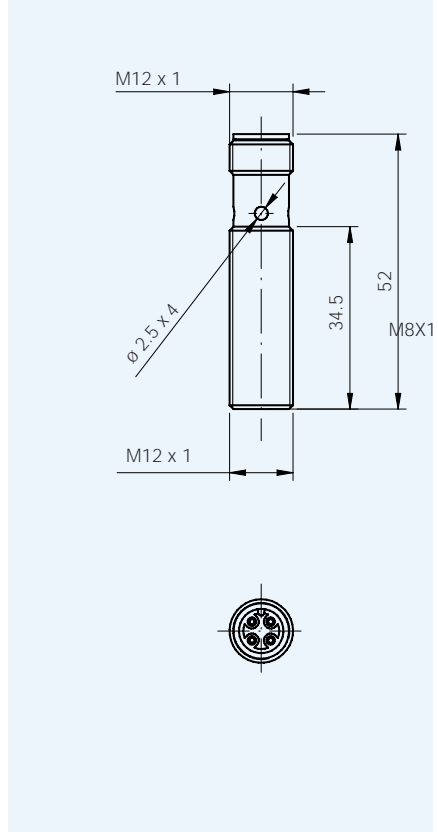
FMES/**-3F



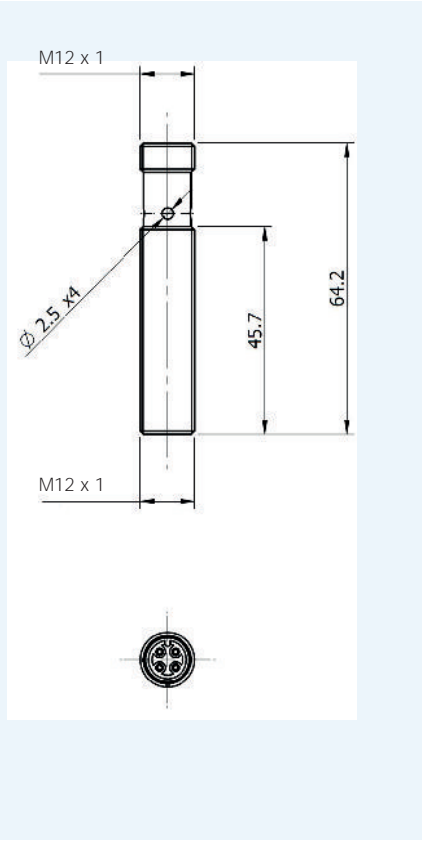
FME1/**-3F



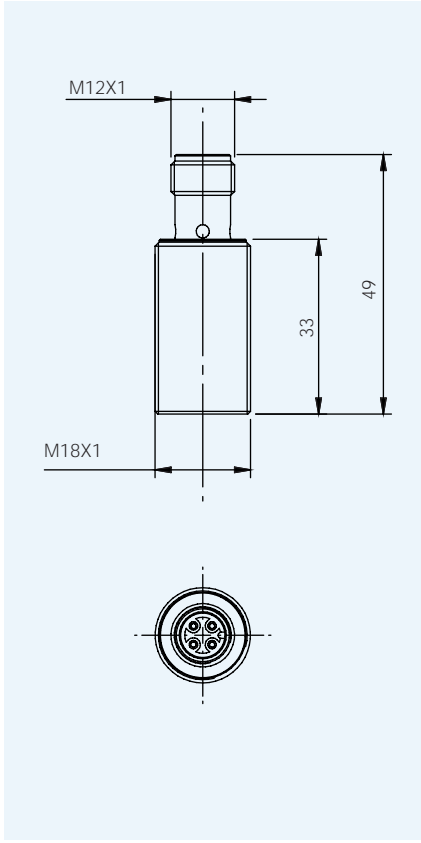
FMM6/**-3H



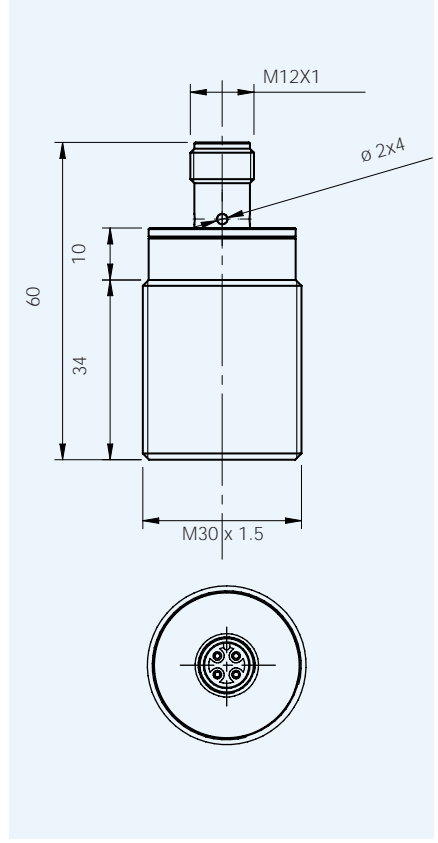
FMM1/**-3H

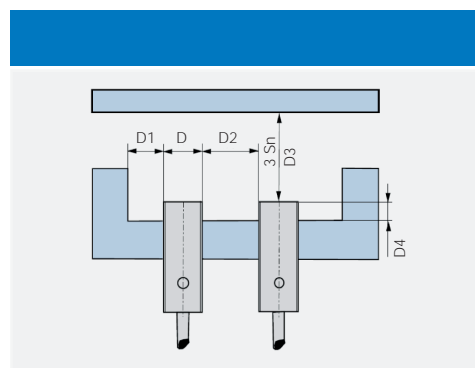
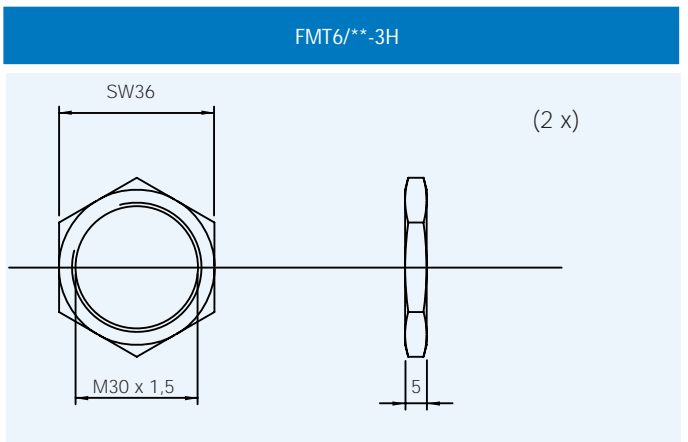
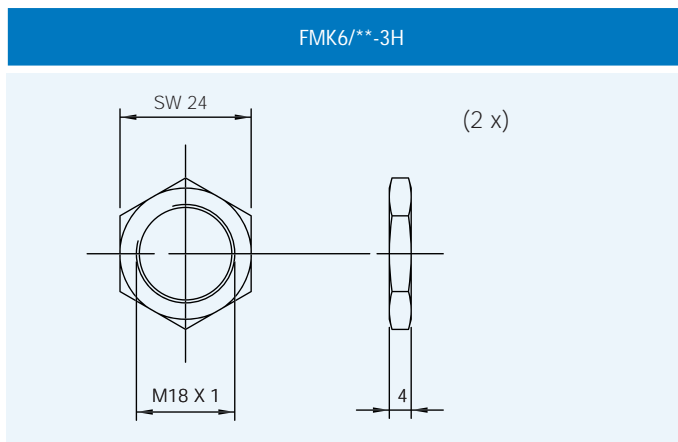
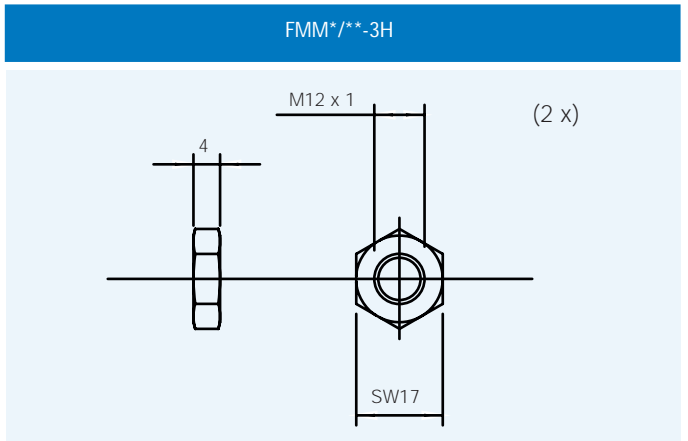
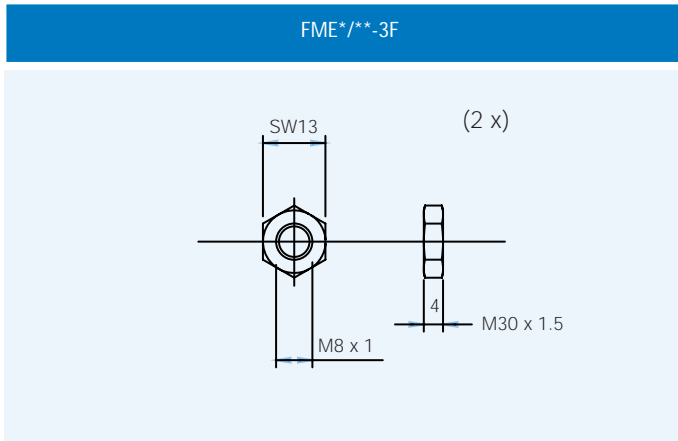


FMK6/**-3H



FMT6/**-3H





code	D4	D1	D2	D3
FME*	≥ 0	≥ 2	≥ 8	≥ 6
FMM*	≥ 0	≥ 6	≥ 12	≥ 9
FMK6	≥ 0	≥ 9	≥ 18	≥ 15
FMT6	≥ 0	≥ 15	≥ 30	≥ 30



Blank lined writing area consisting of 20 horizontal light blue lines.