

digital output 2813



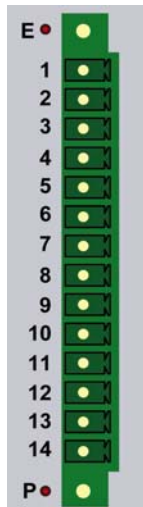
- 8 Bit digital output, +12VDC, high side
- Output current 0.8A
- Galvanically isolated
- Demagnetization of inductive loads
- Protection against short circuit, overcurrent, overtemperature, open load detection in ON state

I/O

TR-Systemtechnik GmbH, Eglishalde 16, 78647 Trossingen, Tel.: +49 (0) 7425 228-0, Fax: +49 (0) 7425 228-34, www.activeio.de, info@tr-systemtechnik.de

Pinout

LED:	0; (8)	Output O 00 : +12VDC
	1; (9)	Output O 01 : +12VDC
	2; (10)	Output O 02 : +12VDC
	3; (11)	Output O 03 : +12VDC
	4; (12)	Output O 04 : +12VDC
	5; (13)	Output O 05 : +12VDC
	6; (14)	Output O 06 : +12VDC
	7; (15)	Output O 07 : +12VDC
	E:	output failure, red
	P:	power supply, red



Pin	Signal
1	O 00 +12VDC
2	O 01 +12VDC
3	O 02 +12VDC
4	O 03 +12VDC
5	O 04 +12VDC
6	O 05 +12VDC
7	O 06 +12VDC
8	O 07 +12VDC
9	Power +12VDC
10	Power GND
11	Power +12VDC
12	Power GND
13	Power +12VDC
14	Power GND

All Power +12VDC and Power 0V are internal connected

Attributes

Dataformat:

- Standard byte (8-bit) format
- outputs possible to read back

Applications:

8 bit digital output, high side
available prints :

- @P2813L: 8 bit, +12V=, 0.8A=, high side, demagnetization
- @P2813R: 8 bit, +12V=, 0.8A=, high side, demagnetization

Related Applications:

4 bit digital output, high side:

- @P2411: 4 bit, +24V=, 1.5A, high side, demagn.
- @P2412: 4 bit, +24V=, 2.5A, high side, demagn.

8 bit digital output; high side:

- @P2810: 8 bit, +24V=, 0.8A, high side, demagn.

digital

output

Electrical Data

Power supply external.....	+12VDC ±20%
Operating current	< 100mA at +12V= open load
Operating current @ctiveBus.....	
Power supply protection.....	30V overvoltage, surge
Input resistance.....	15KΩ
Output current	0,8A= each channel,
Input filter	2msec.
Input current.....	≤2mA at +12V=
Max. current per contact	8A

digital output 2813

System Information

System ID	0x0009
System address space	8 bit in, 8 bit out

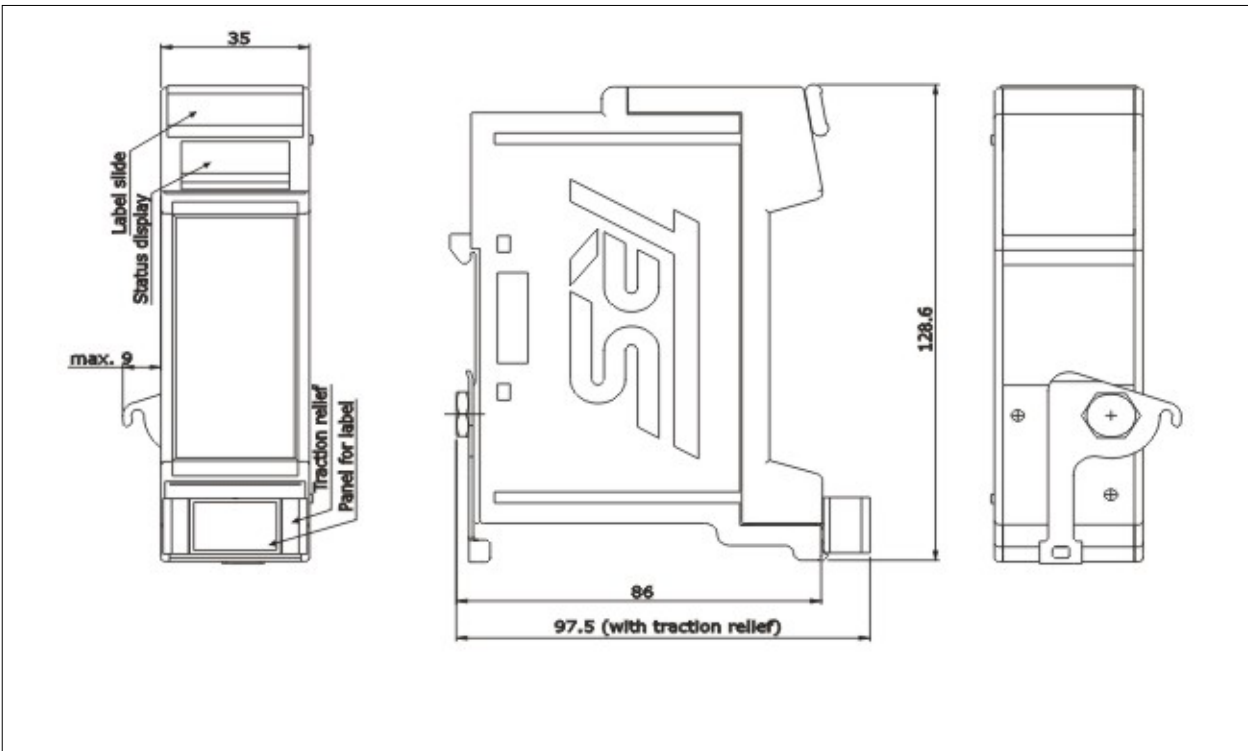
Environmental Conditions

Electromagnetic compatibility (EMC)	EN 61000-4-2 (IEC-801-2) / EN 61000-4-4 (IEC-801-4)
Operating temperature [°C]	0 ..+55
Storage temperature [°C]	-20 .. +70
Humidity (rel)	98 % (non condensing)
Protection class*	IP 20 (DIN 40 050)
*The protection class is valid only with housing and connector installed	

Mechanical Data PCB

Weight	approx. 0.05 kg including connector
Dimension	105mm x 80mm x 12mm

Drawing (effective if mounted in @M housing)



Ordering Key

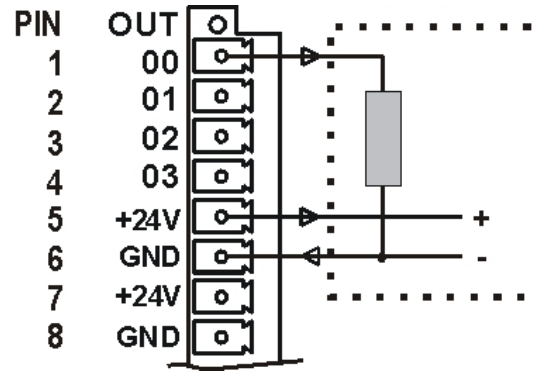
@	<input type="text"/>	2	8	1	3	L	-	<input type="text"/>	<input type="text"/>	<input type="text"/>	<input type="text"/>	R
						L= left slot						R= right slot
						3= +12V		Description if installed in the right slot.				
						1= current output						
						8= 8 channels						
						2= digital output						
	P= print only X= print and cap M= print and housing											

TR-Systemtechnik GmbH, Eglshalde 16, 78647 Trossingen, Tel.: +49 (0) 7425 228-0, Fax: +49 (0) 7425 228-34, www.activeio.de, info@tr-systemtechnik.de

TR-Systemtechnik GmbH, Eglisshalde 16, 78647 Trossingen, Tel.: +49 (0) 7425 228-0, Fax: +49 (0) 7425 228-34, www.activeio.de, info@tr-systemtechnik.de

notes:

Example of application



I/O

digital

output

Revision change

version	description	date
00	serie 0	09/02