

Safety Door Lock



- Multiple contacts available
- Plastic, metal material can be selected, four mounting directions of the head can be selected
- Locking force of 1300N, excellent tensile resistance



NEW!

Basic Features	Working principle	Electromechanical		
	Housing	Square		
	Switching Principle	Slow-action switching element		
	Locking force	-		
	Contact Pitch	Above 2x2mm		
	Forced disconnecting force	Standard type: Minimum 60N ; Tension type: Minimum 80N		
	Pre-travel of forced disconnection line	Above 10mm		
	Operation speed	0.1m~0.5m/s		
	Allowable operating frequency	Maximum 20 operations/minute		
	Indicator	Green, orange optional		
Electrical data	Type of use	AC-15	DC-13	
	Rated operating voltage	240V	24V	
	Rated operating current	3A	2A	
	Contact resistance	Less than 25m Ω		
	Rated insulation voltage	300V		
	Insulation resistance	Less than 100m Ω(Less than 500VDC)		
	Conditional short-circuit current	100A		
	Protection against electric shock	Class II (double insulation)		
	Short circuit protection device	Quick blow fuse required for 10A, 250V		
Mechanical data	Operating temperature	-10°C ~ + 70°C No freezing		
	Operating humidity	85%RH		
	Pulse withstand voltage	2.5KV		
	Pollution Degree	3(EN60947-5-1)		
	Vibration Resistance	10-55Hz, double amplitude 1.5mm		
	Shock Resistance	Durability	1000m/s ²	
		Malfunction	300m/s ²	
Enclosure rating	IP67			
Environmental conditions	Connection type	P: Pg13.5(terminal type) M: M20(terminal type) 2M: Standard pre-wired type(2m) 2ME: Bend-resistant pre-wired type(2m)		
	Lifetime	Mechanical	More than 1,000,000 times	
		Electrical	More than 150,000 times	
	Dimension	29.84x30.1x96mm		
	Material	Pa66 flame retardant		
	Weight	about 96.5g		
Model	AR1 Series			

Fiber Optic
Slot Sensors
Photoelectric
Laser
Proximity
Displacement
Magnetic
Contact
Area
Ultrasonic
AI Image
Code Readers
Vibration
Temperature
RFID
Safety door lock
Pressure Switch
Communication
Accessories

Guidance

Safety door lock

AR1

AR2

AR3

Safety door lock

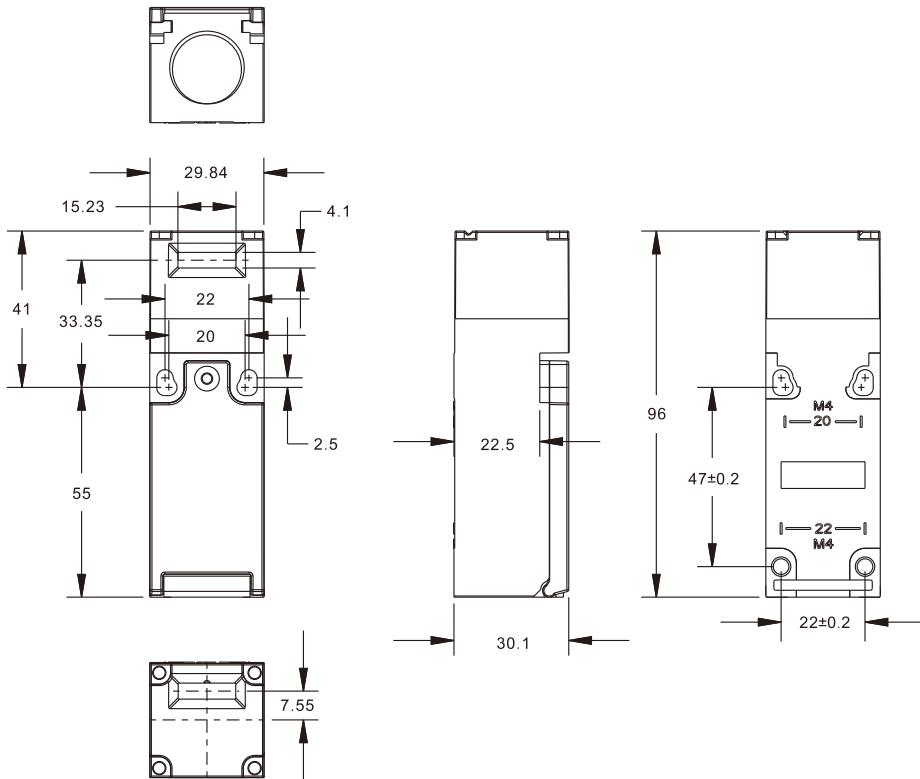
Selection coding rules

AR1 - ① ② ③

NO.	Classification	Explanation of model numbers
①	Installation Direction of Head	F: Four mounting directions available (front installation upon delivery) / Plastic D: Four mounting directions available (front installation upon delivery) / Metal
②	Conduit Port / Connector Size	1: Pg13.5 (Terminal type) 2: M20 (Terminal type)
③	Switch Contacts	A:1NC/1NO (Slow-action contact) B:2NC (Slow-action contact) C:2NC/1NO (Slow-action contact) D:3NC (Slow-action contact)

Dimensions

Unit: mm



- Fiber Optic
- Slot Sensors
- Photoelectric
- Laser
- Proximity
- Displacement
- Magnetic
- Contact
- Area
- Ultrasonic
- AI Image
- Code Readers
- Vibration
- Temperature
- RFID
- Safety door lock**
- Pressure Switch
- Communication
- Accessories
- Guidance
- Safety door lock
- AR1
- AR2
- AR3



NEW!

Basic Features	Working principle	Electromechanical		
	Housing	Square		
	Switching Principle	Slow-action switching element		
	Locking force	1300N		
	Contact Pitch	Above 2x2mm		
	Forced disconnecting force	Minimum 60N		
	Pre-travel of forced disconnection line	Above 10mm		
	Operation speed	0.1m~0.5m/s		
	Allowable operating frequency	Maximum 30 operations/minute		
	Indicator	Green, orange optional		
Electrical data	Type of use	AC-15	DC-13	
	Rated operating voltage	240V	24V	
	Rated operating current	3A	2A	
	Contact resistance	Less than 25m Ω		
	Rated insulation voltage	300V		
	Insulation resistance	More than 100m Ω		
	Conditional short-circuit current	100A		
	Protection against electric shock	Class II (double insulation)		
	Short circuit protection device	Quick blow fuse required for 10A, 250V		
Mechanical data	Operating temperature	-10°C ~+ 55°C No freezing		
	Operating humidity	Less than 95%RH		
	Pulse withstand voltage	2.5KV		
	Pollution Degree	3(EN60947-5-1)		
	Vibration Resistance	10-55Hz, double amplitude 1.5mm		
	Shock Resistance	Durability	1000m/s ²	
		Malfunction	300m/s ²	
Enclosure rating	IP67			
Environmental conditions	Connection type	P: Pg13.5 (terminal type) M: M20 (terminal type)		
	Lifetime	Mechanical	More than 1,000,000 times	
		Electrical	More than 150,000 times (AC240V 3A, resistive load)	
	Dimension	88x34.3x108mm		
	Material	Pa66 flame retardant		
	Weight	about 370.6g		
Model	AR2 Series			

- Fiber Optic
- Slot Sensors
- Photoelectric
- Laser
- Proximity
- Displacement
- Magnetic
- Contact
- Area
- Ultrasonic
- AI Image
- Code Readers
- Vibration
- Temperature
- RFID
- Safety door lock
- Pressure Switch
- Communication
- Accessories

Guidance

Safety door lock

- AR1
- AR2
- AR3

Safety door lock

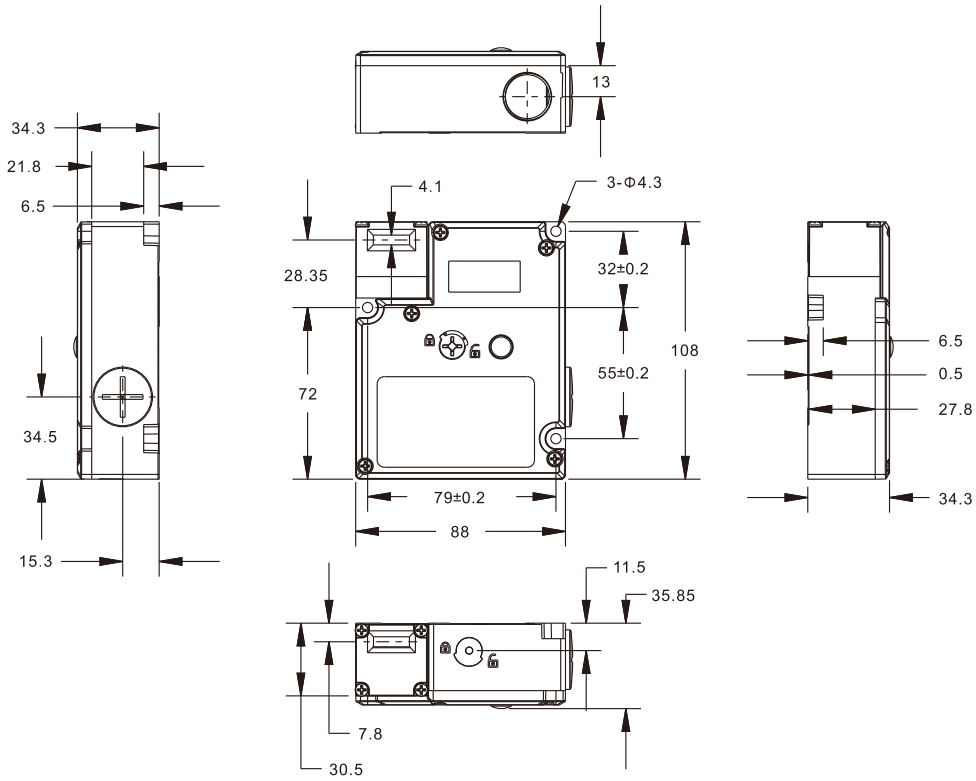
Selection coding rules

AR2- ① ② ③ ④ ⑤ ⑥ ⑦

NO.	Classification	Explantion of model numbers
①	Installation Direction of Head	F: Four mounting directions available (front installation upon delivery) / Plastic D: Four mounting directions available (front installation upon delivery) / Metal
②	Conduit Port / Connector Size	1: Pg13.5 (Terminal type) 2: M20 (Terminal type)
③	Door Locking / Release Method	A: Mechanical Locking / DC24V Electromagnetic Release B: Mechanical Locking / AC110V Electromagnetic Release G: DC24V Electromagnetic Locking / Mechanical Release H: AC110V Electromagnetic Locking / Mechanical Release Blank: Standard DC24V (Green LED indicator light) / None B: DC24V (Orange LED indicator light)
④	Indicator	F: Top S: Front
⑤	Key Release Position	Blank: Standard DC24V (Resin) H: Special Release Key (Resin,Release key included)
⑥	Key Release Type	A: 1NC/1NO (Slow-action contact) + 1NC/1NO (Slow-action contact) B: 1NC/1NO (Slow-action contact) + 2NC (Slow-action contact) C: 2NC (Slow-action contact) + 1NC/1NO (Slow-action contact) D: 2NC (Slow-action contact) + 2NC (Slow-action contact) E: 2NC/1NO (Slow-action contact) + 1NC/1NO (Slow-action contact) F: 2NC/1NO (Slow-action contact) + 2NC (Slow-action contact) G: 2NC/1NO (Slow-action contact) + 2NC/1NO (Slow-action contact) H: 3NC (Slow-action contact) + 1NC/1NO (Slow-action contact) I: 3NC (Slow-action contact) + 2NC (Slow-action contact) J: 3NC (Slow-action contact) + 3NC (Slow-action contact) K: 3NC (Slow-action contact) + 2NC/1NO (Slow-action contact) L: 2NC/1NO (Slow-action contact) + 3NC (Slow-action contact)
⑦	Switch Contacts	

Fiber Optic
Slot Sensors
Photoelectric
Laser
Proximity
Displacement
Magnetic
Contact
Area
Ultrasonic
AI Image
Code Readers
Vibration
Temperature
RFID
Safety door lock
Pressure Switch
Communication
Accessories
Guidance
Safety door lock
AR1
AR2
AR3

Unit: mm



- Fiber Optic
- Slot Sensors
- Photoelectric
- Laser
- Proximity
- Displacement
- Magnetic
- Contact
- Area
- Ultrasonic
- AI Image
- Code Readers
- Vibration
- Temperature
- RFID
- Safety door lock**
- Pressure Switch
- Communication
- Accessories

Guidance

Safety door lock

AR1

AR2

AR3

Safety door lock

AR3 Series



NEW!

Safety door lock

Basic Features	Working principle	Electromechanical		
	Housing	Square		
	Switching Principle	Slow-action switching element		
	Locking force	1300N		
	Contact Pitch	Above 2x2mm		
	Forced disconnecting force	Minimum 60N		
	Pre-travel of forced disconnection line	Above 10mm		
	Operation speed	0.1m~0.5m/s		
	Allowable operating frequency	Maximum 30 operations/minute		
	Indicator	Green		
Electrical data	Type of use	AC-15	DC-13	
	Rated operating voltage	240V	24V	
	Rated operating current	3A	2A	
	Contact resistance	Less than 25m Ω		
	Rated insulation voltage	300V		
	Insulation resistance	More than 100m Ω		
	Conditional short-circuit current	100A		
	Protection against electric shock	Class II (double insulation)		
	Short circuit protection device	Quick blow fuse required for 10A, 250V		
	Mechanical data	Operating temperature	-10°C ~+ 55°C No freezing	
Operating humidity		Less than 95%RH		
Pulse withstand voltage		2.5KV		
Pollution Degree		3(EN60947-5-1)		
Vibration Resistance		10-55Hz, double amplitude 1.5mm		
Shock Resistance		Durability	1000m/s ²	
		Malfunction	300m/s ²	
Enclosure rating		IP67		
Environmental conditions	Connection type	P: Pg13.5 (terminal type) M: M20 (terminal type)		
	Lifetime	Mechanical	More than 1,000,000 times	
		Electrical	More than 150,000 times (AC240V 3A, resistive load)	
	Dimension	35x36x165mm		
	Material	PA66 flame retardant		
	Weight	about 253.4g		
Model	AR3 Series			

- Fiber Optic
- Slot Sensors
- Photoelectric
- Laser
- Proximity
- Displacement
- Magnetic
- Contact
- Area
- Ultrasonic
- AI Image
- Code Readers
- Vibration
- Temperature
- RFID
- Safety door lock
- Pressure Switch
- Communication
- Accessories
- Guidance
- Safety door lock
- AR1
- AR2
- AR3

AR3 – ① ② ③ ④ ⑤ ⑥ ⑦

NO.	Classification	Explanation of model numbers
①	Installation method	F: Four mounting directions available (front installation upon delivery) / Plastic D: Four mounting directions available (front installation upon delivery) / Metal
②	Conduit port/connector size	1: Pg 13.5 terminal type 2: M20 terminal type 3: M16 terminal type
③	Door Locking / Release Method	A: Mechanical Locking / DC24V Electromagnetic Release B: Mechanical Locking / AC110V Electromagnetic Release G: DC24V Electromagnetic Locking / Mechanical Release H: AC110V Electromagnetic Locking / Mechanical Release
④	Indicator	Blank: Standard DC24V (Green LED indicator light) / None B: DC24V (Orange LED indicator light)
⑤	Key Release Position	F: Front S: Reverse
⑥	Key Release Type	Blank: Standard H: Special Release Key (Release key included)
⑦	Switch Contacts	A: 1NC (Slow-action contact) + 1NO (Slow-action contact) B: 2NC (Slow-action contact) + 1NC/1NO (Slow-action contact) C: 1NC (Slow-action contact) + 1NC (Slow-action contact) D: 1NC (Slow-action contact) + 2NC (Slow-action contact) E: 2NC (Slow-action contact) + 2NO (Slow-action contact) F: 1NC (Slow-action contact) + 1NC/1NO (Slow-action contact) G: 2NC (Slow-action contact) + 2NC (Slow-action contact) H: 1NC/1NO (Slow-action contact) + 1NC/1NO (Slow-action contact) I: 3NC (Slow-action contact) + 1NO (Slow-action contact) J: 3NC (Slow-action contact) + 1NC (Slow-action contact) K: 1NC (Slow-action contact) + 3NO (Slow-action contact) L: 1NC (Slow-action contact) + 3NC (Slow-action contact) M: 1NC/1NO (Slow-action contact) + 2NC (Slow-action contact) N: 1NC/1NO (Slow-action contact) + 2NO (Slow-action contact)

- Fiber Optic
- Slot Sensors
- Photoelectric
- Laser
- Proximity
- Displacement
- Magnetic
- Contact
- Area
- Ultrasonic
- AI Image
- Code Readers
- Vibration
- Temperature
- RFID
- Safety door lock
- Pressure Switch
- Communication
- Accessories

Guidance

Safety door lock

- AR1
- AR2
- AR3

Unit: mm

Dimensions

