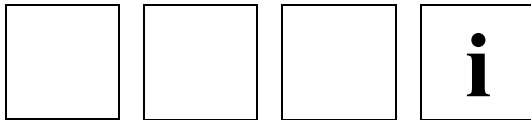


Rope length transmitter SL3050

Eglshalde 6
 D-78647 Trossingen
 Tel. +49 - (0) 74 25 / 228 - 0
 Fax +49 - (0) 74 25 / 228 - 33
<http://www.tr-electronic.de>
 Germany



- Available with or without encoder
- Compact design
- Cable eye with ball joint (removable) compatible to previous model
- Backlash free encoder coupling
- Robust spring drive
- High life time approx. 1 mio. cycles
- Simple assembly encoder-cable retractor

Characteristics

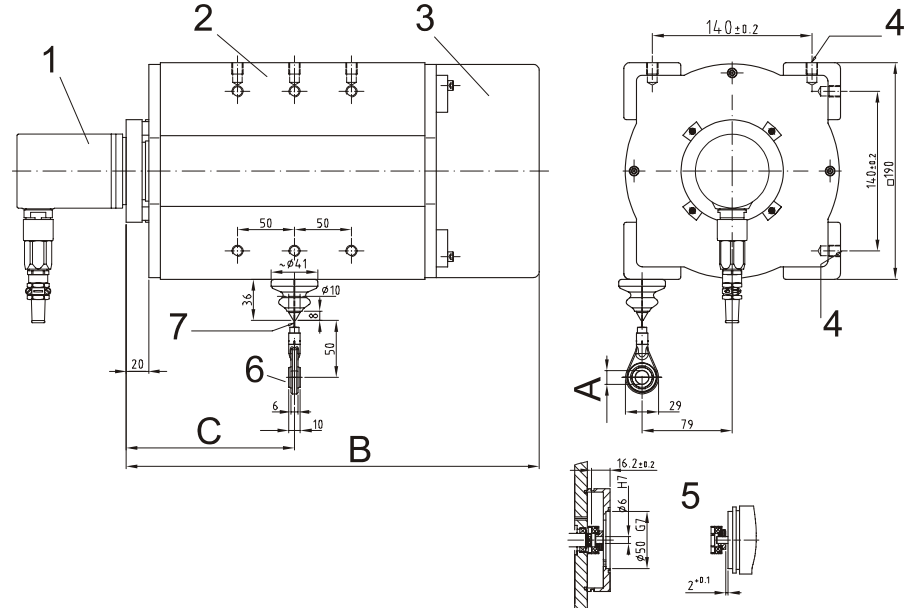
Case design □ 190 mm
 Gear ratio 2.04 rev./m ± 0,25 mm/rev.
 Measuring cylinder material Aluminium anodized 3.3206.71 ALMgSi0.5F22
 String material Stainless steel 1.4401 X5 CrNiMo 18 10
 String bending radius R..... ≥ 16 mm
 Linearity deviation typ. ± 0.05
 Reproducibility..... 0,1 mm
 Life time..... typ. 1 Mio. cycles

Types	SL 3050
Article no.	40 720 010
Weight app. in kg	26,5
Measuring length in m	50
Leader length	0,1m
String diameter in mm	0,81
Adjusting speed	4 m/s
Spring tension start	12N
Spring tension end	30N
Bellows	yes
Position string see Dimension drawing	left

Environmental conditions

Vibration	≤ 100 m/s ² (10g) sine 50-2000 Hz acc. DIN IEC 68-2-6
Shock.....	≤ 250m/s ² (25g) 11ms acc. DIN IEC 68-2-27
Operating temperature	-20°C ... 70°C
Storage temperature.....	-30°C ... +85°C dry
Relative humidity	98 % non condensing
Packaging.....	compliant DIN 55439
Protection class	IP 65 compliant DIN 40 050

Dimension drawing



40 720 010

A	without ball joint Ø 20.2 mm, with ball joint Ø 12H11		
B	362.3		
C	147.65		
1	Encoder and backlash free coupling	5	Distance size of the coupling
2	Measuring cylinder	6	Removable ball-joint
3	Spring drive	7	String
4	4x M6x8 deep		