

Parallel / SSI - Converter PU-20

- **Module to convert parallel data 28 bit into synchronous-serial data**
- **Switching threshold adjustable: 1,4 VDC / 12 VDC**
- **Code conversion of gray in binary form possible**
- **SSI protocol + checksum for TR evaluation unit**

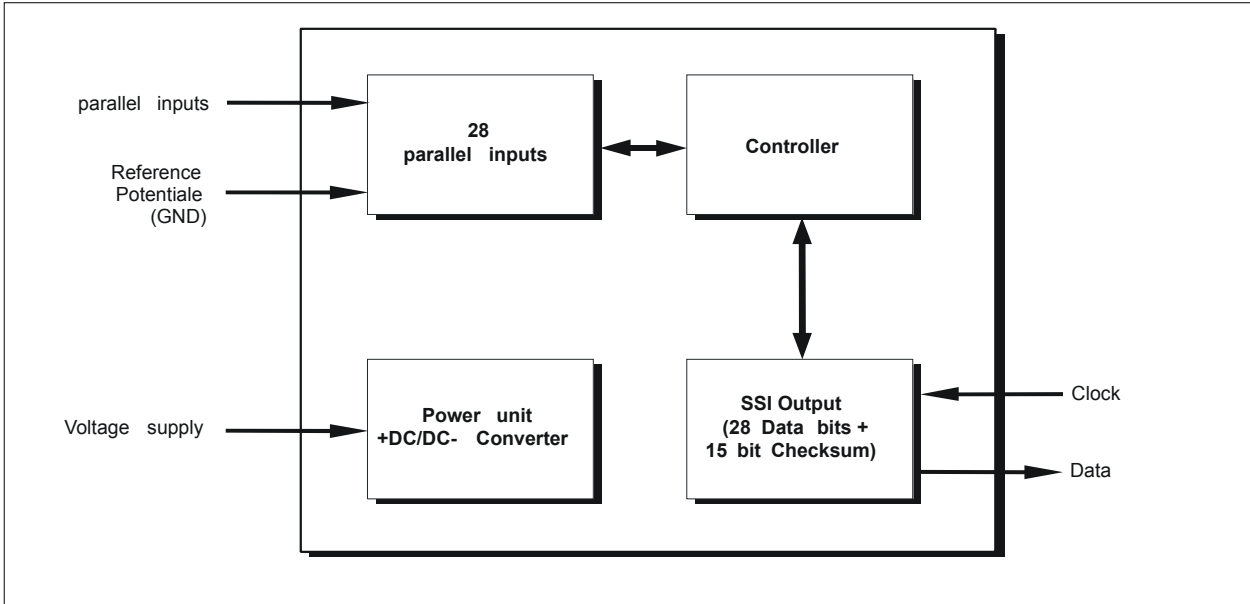
Electrical Data

Operating Voltage	11-29 V DC
Power Dissipation (No Load)	< 2 Watt
Encoder-Module	
Number of Parallel-Inputs	28
Input Impedance	4,7 k Ω
Switching Threshold	adjustable by DIP-switches
TTL-Level	1,4 VDC
US-Level	12 VDC
Edition interface	SSI (synchronous-serial)
Clock Input	Optocoupler
Data Output	RS422 (2-wire)
Clock Frequency	80 kHz ... 1 MHz
No Pulse Period	min. 24 μ s
Min. Clock Number	= Number of Parallel-Data
Output Format	on beginning with MBS
Code (adjustable)	standard (Gray) or from Gray in binary
Number of Data Bits (adjustable)	28 data bits without checksum, 28 data bits + 15 bits checksum

Environmental Data

Electromagnetic compatibility (EMC)	EN 61000-4-2 (IEC-801-2) / EN 61000-4-4 (IEC-801-4)
Operating temperature	0 bis +60°C
Storage temperature range	-20 bis +50°C
Protection	IP 30 (DIN 40 050)

Block diagram PU-20



Dimensional Drawing

