

LL5806

High Intensity Line Light



- Aii** New LEDs are 2x brighter than original design
- Aii** New wash-down option - IP66 Compliant Design
- Aii** Lens Options - Narrow, Medium (std), or Wide

Ordering Information

Standard Product:
Shipped Next Day

LL5806-625IC
LL5806-WHIIC

Standard product includes an "M" lens, and is configured with inline Current Source.

Standard Product Variation:
Shipped Within Two Weeks

	Lens Option ^	Spectral wavelength	Optional power compatibility	Heat Sink	Wash Down Option	Optional Light Conditioning	Alternative Connector
LL5806	X	-	X	X	X	X	XXX
	N	(blue) 470	IC	H	W	D° (Diffuser) P° (Polarizer)	M12*
	W	(green) 530 (amber) 590 (red) 625 (infra-red) 850 △ (white) WHI	IS 24 C2 C3 C5				

^ Leave blank for Standard, Medium (M) Lens

IC = ICS (requires 24v power supply)
IS = ISU (requires 24v power supply)
C2 = Ai Connector
C3 = Pulsar 710 Connector
C5 = Pulsar 320 Connector
★ Available with IC and 24v options only
° - Not available with Wash Down Option
△ Available with Medium lens option only

Optimal working distance:

152.4mm (6") - 609.6mm (24")

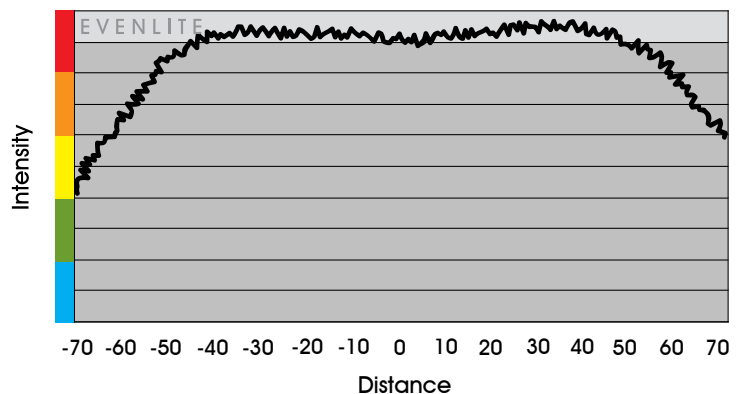
Light Consistency Information

Intensity Distribution



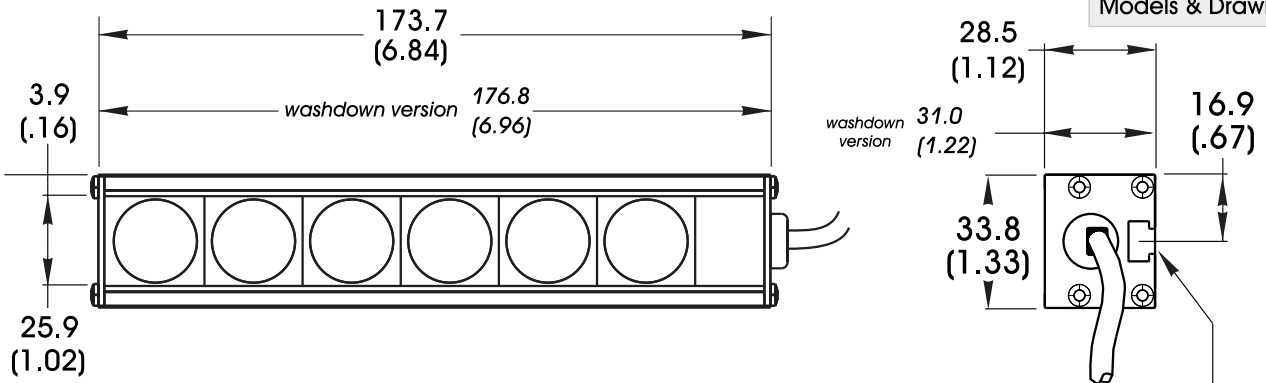
[Taken at 152.4mm (6")]

Intensity Cross Section



Dimensional Information

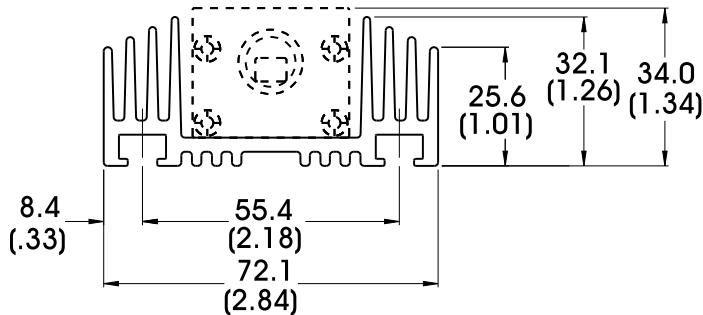
[Click for Installation Models & Drawings](#)



Cable Length: 1.5 Meter (59")

M6 NUT CHANNEL FOR MOUNTING (HARDWARE INCLUDED)

Optional Heat Sink



Standard Variation Current Specifications

	blue	green	red	infra-red	white	
Ai / IC	350	350	350	350	350	mA

Standard Product Information

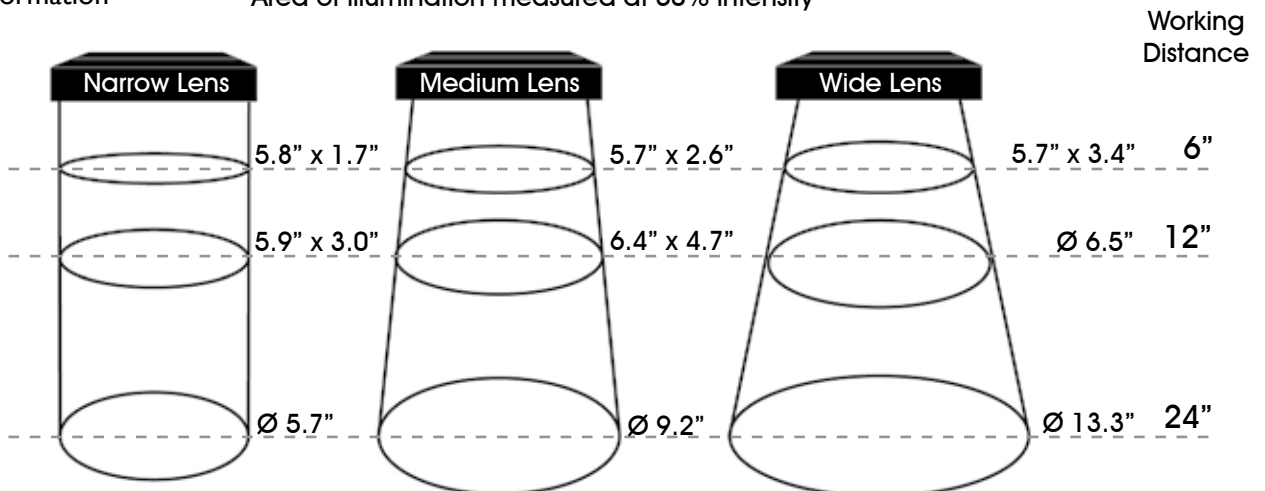
Red	Max. Illumination	Irradiance (mW/cm ²)	Illuminance (Lux)
	Working Distance: 6"	4.5	7,300
	Working Distance: 12"	2.4	4,100
	Lifetime	50,000 hrs	
White	Max. Illumination	Irradiance (mW/cm ²)	Illuminance (Lux)
	Working Distance: 6"	6.2	26,000
	Working Distance: 12"	3.1	13,700
	Lifetime	50,000 hrs	

General Specifications

Weight:	226.8 g (8oz)
Finish:	Black Anodized
Operating Temperature:	0-60°C
Meets Specifications:	CE, RoHS

Additional Information

Area of illumination measured at 50% intensity



802.767.3830



inline Strobe Unit

Built-in Strobe



- 4i) Built into the power cable
- 4i) Manual potentiometer adjustable range of 30 to 300 μ Sec output pulse-width
- 4i) Timing Bypass Option



shown with the RL121

The ISU (Inline Strobe Unit) is a small, lightweight strobe source designed to drive LED light assemblies up to a maximum current of 12A (pulse-width dependent). The unit resides outside of the associated light head being placed “inline” with the light head power cable. Maximum light head drive current is set at the factory for a given light source while a user adjustable range of 30 to 300 μ Sec output pulse width is available (via potentiometer or through trigger pulse width). The unit is designed to operate with a DC input voltage of between 18 and 35 volts.

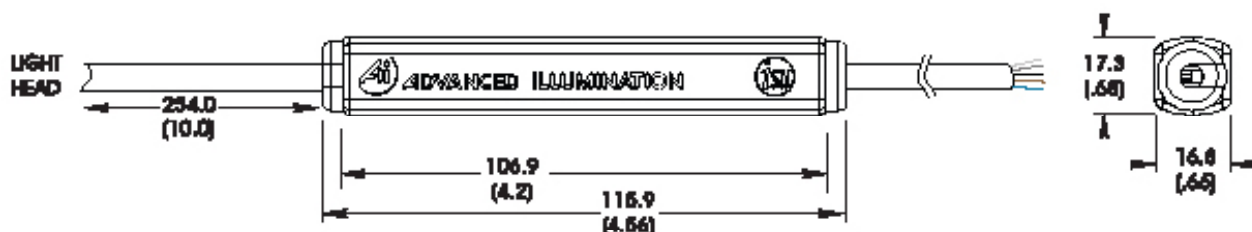
The unit has two triggering modes of operation:

Fixed Trigger Mode: Selectable pulse width range of 30-300 μ Seconds that is accessible via user-adjust potentiometer.

Timing Bypass Trigger Mode: Output Pulse width follows the width of input trigger. User-adjust potentiometer sets the maximum.

An active high and active low input trigger is available. External wire (mode select) must be connected to GND (0V in this case) in order to select timing bypass model.

Dimensional Information



The ISU is not detachable. Standard location is 10" from the light head; if necessary, a different cable length and / or ISU location can be specified when ordering. Standard Cable Length (including ISU) is 1.5M (59").

DIMENSIONS ARE IN MILLIMETERS (INCHES)

ISU SPECIFICATIONS

Parameter	Specification	Notes
Input Voltage Range	+18 to 30VDC	
Strobe output	0 - 12A*	* Pulse-width/Light head dependent
Current Output Adj.	Min to Max Current adj. as established by factory setting	Maximum current set assuming 300µSec operation
Max. Input Current	1.1A	Approx 100ma local
Trigger	Active HI: WHITE Active LO: BLACK	TTL compatible, 30VDC tolerant
Max. Output Voltage	= Vin - 1v	
Mechanical & Environmental		
Power Indicator	Red LED is used to indicate power is being supplied	
Storage Temperature	-40 to +125C	
Operating Temperature	0 to +70C	
Housing Material	High Impact Polycarbonate	
Weight	Approx 1.7 oz	Cable Not Included
Size	Approx 4.55L x 0.67W x 0.70H	Inches

ISU PINOUT

BROWN	VIN +
BLUE	VIN -
WHITE	Active high trigger input
BLACK	Active low trigger input
GRAY	Trigger Mode Select: Connect to 0V to enable timing bypass. Leave floating for fixed trigger mode

ISU TRIGGER MODES

