

## Absolute-Encoder CEV65 - ASI

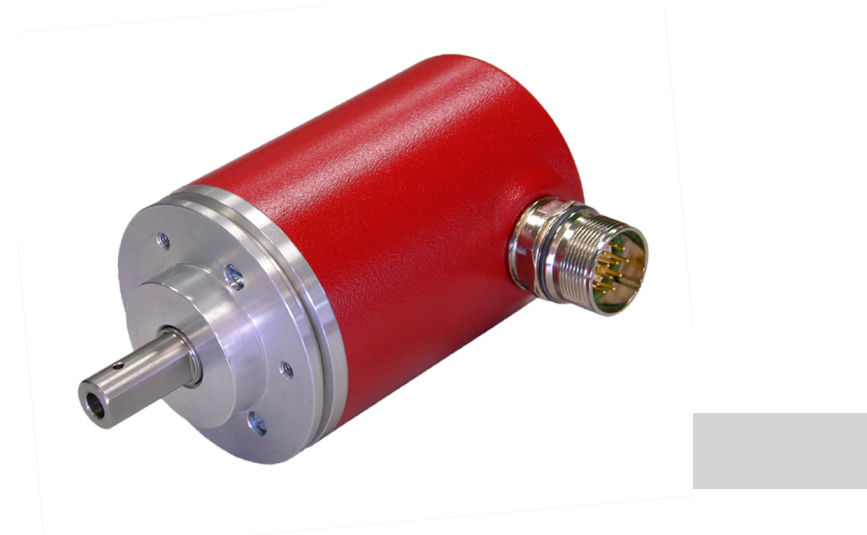
Ref.: K-CEV65-ASI-1

18.11.2013

010102006502010201

### Advantages

- \_ Customer-specific solutions
- \_ Factory parametrization
- \_ Further interfaces available
- \_ Modular mechanical design
- \_ Modular product line



### General Data

Supply	
- Supply voltage	11...27 VDC
Current consumption no load	<= 350 mA
Device design	
- Type	Single-/Multi-Turn
Total resolution	<= 25 Bit
Number of steps per revolution	<= 8192
Number of revolutions	<= 4096
Output capacity	<= 24 Bit
ASI - Interface	
- Data transmission	RS-422, 2-wire
- Sign format	1 ST, 7 DA, 1 P even, 2 STOP
- Data format	ASCII
- Sign	7: 6 POS + CR (0x0D)
- Sign	8: 6 POS + CRC + CR (0x0D)
- Idle time	> 1 sign
Transmission rate	
- Specific value	4.8 kbit/s
Parameter/Function, changeable	Resolution
	Output code
	Preset parameter
	Counting direction

Subject to change.

TR-Electronic GmbH  
 Eglshalde 6  
 78647 Trossingen  
 Tel. +49 (0) 7425 228-0  
 info@tr-electronic.de  
[www.tr-electronic.de](http://www.tr-electronic.de)

## Absolute-Encoder CEV65 - ASI

Ref.: K-CEV65-ASI-1

18.11.2013

010102006502010201

### General Data continuation

Type of parametrization	Factory setting
External inputs	
- F/R	Count direction
- Preset	electronic adjustment
- Logic level	"0" < +2V, "1" = Supply
Maximum Speed, mechanically	<= 6000 1/min
Shaft load, axial/radial	<= 40 N, <= 60 N
Bearing life time	>= 3.9E+10 revolutions
Bearing life time - Parameter	
- Speed	3000 1/min
- Operating temperature	60 °C
- Shaft load, axial/radial	<= 20 N, <= 30 N
Point of origin, shaft load	at the shaft end
Angular acceleration	<= 10E+4 rad/s <sup>2</sup>
Moment of inertia, typically	2.5E-6 kg m <sup>2</sup>
Start-up torque, 20 °C	2 Ncm
Mass, typically	0.7 kg

### Environmental conditions

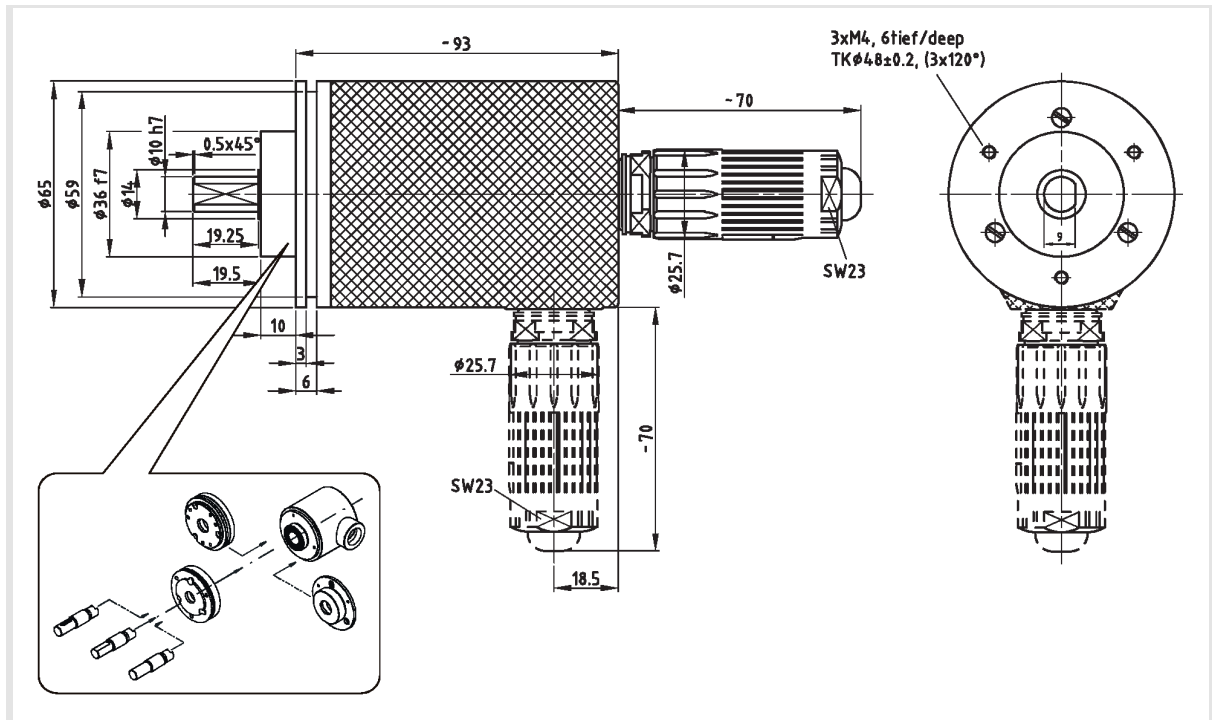
Vibration	
- Specific value	<= 100 m/s <sup>2</sup>
- Sine	50...2000 Hz
Shock	
- Specific value	<= 1000 m/s <sup>2</sup>
- Half sine	11 ms
Immunity to disturbance	DIN EN 61000-6-2
Transient emissions	DIN EN 61000-6-3
Working temperature	
- Standard	0...+60 °C
- Optional	-20...+70 °C;
Storage temperature, dry	-30...+80 °C
Relative humidity	98 %, non condensing
Protection class	
- Standard	IP65

Subject to change.

# Absolute-Encoder CEV65 - ASI

Ref.: K-CEV65-ASI-1  
 18.11.2013  
 010102006502010201

## Dimensional drawing



Subject to change.