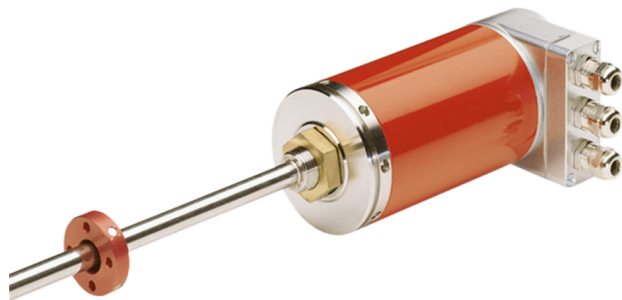


## Linear-Transducer LA66K - IBS



Ref.: K-LA66-IBS-1

18.11.2013

0102010060

### Advantages

- \_ Flexible programming
- \_ Measures linear movements
- \_ Perfect fit for cylinders
- \_ Pressure proof tube housing
- \_ Wear-free detection

### General Data

Supply	
- Supply voltage	24 VDC, -20...+10 %
Current consumption no load	<= 250 mA
Measuring principle	magnetostrictive
Measuring length, standard	150...3000 mm, in steps
Resolution	0.01 mm
Output capacity	<= 20 Bit
Linearity deviation	< 0.05 %
Reproducibility	0.01 mm
Hysteresis	0.1 mm
Temperature coefficient	< 8 $\mu\text{m}/^\circ\text{C}$ <= 500 mm < 15 ppm/ $^\circ\text{C}$ > 500 mm
Straight line velocity	no restrictions
Mounting position	no restrictions
Material - Measuring body	Cr/Ni - alloy
Rod end mounting	Option
Magnet	T3-U64, Option T4-M33, Standard
INTERBUS - Interface	
- INTERBUS	IEC 61158, IEC 61784
- Data transmission	RS-422, 2-wire Remote Bus

Subject to change.

TR-Electronic GmbH  
Eglisshalde 6  
78647 Trossingen  
Tel. +49 (0) 7425 228-0  
info@tr-electronic.de  
[www.tr-electronic.de](http://www.tr-electronic.de)

## Linear-Transducer LA66K - IBS

Ref.: K-LA66-IBS-1

18.11.2013

0102010060

### General Data continuation

- Encoder-Profile	71
- Ident number	51 dec.
Transmission rate	
- Specific value	300 kbit/s Netto
- Specific value	500 kbit/s Brutto
Type of parametrization	programmable
Prgramming - Tool	Fieldbus-Device
Cycle time, internal	see dimensional drawing
External inputs	
- F/R	Count direction
- Preset	electronic adjustment
- Logic level	"0" < +2V, "1" = Supply
Optional Magnets	
- Number of magnets	12
- Magnet - Minimum distance	50 mm

### Environmental conditions

Vibration	
- Specific value	$\leq 100 \text{ m/s}^2$
- Sine	50...2000 Hz
Shock	
- Specific value	$\leq 1000 \text{ m/s}^2$
- Half sine	11 ms
Immunity to disturbance	DIN EN 61000-6-2
Transient emissions	DIN EN 61000-6-3
Working temperature	
- Standard	0...+70 °C
- Optional	-20...+70 °C;
Storage temperature, dry	-30...+80 °C
Relative humidity	98 %, non condensing
Protection class	
- Standard	IP65
Stray magnetic field	< 3 mT
Measuring reference	Measuring plane
Pressure resistance	
- Optional	600 bar, static

Subject to change.

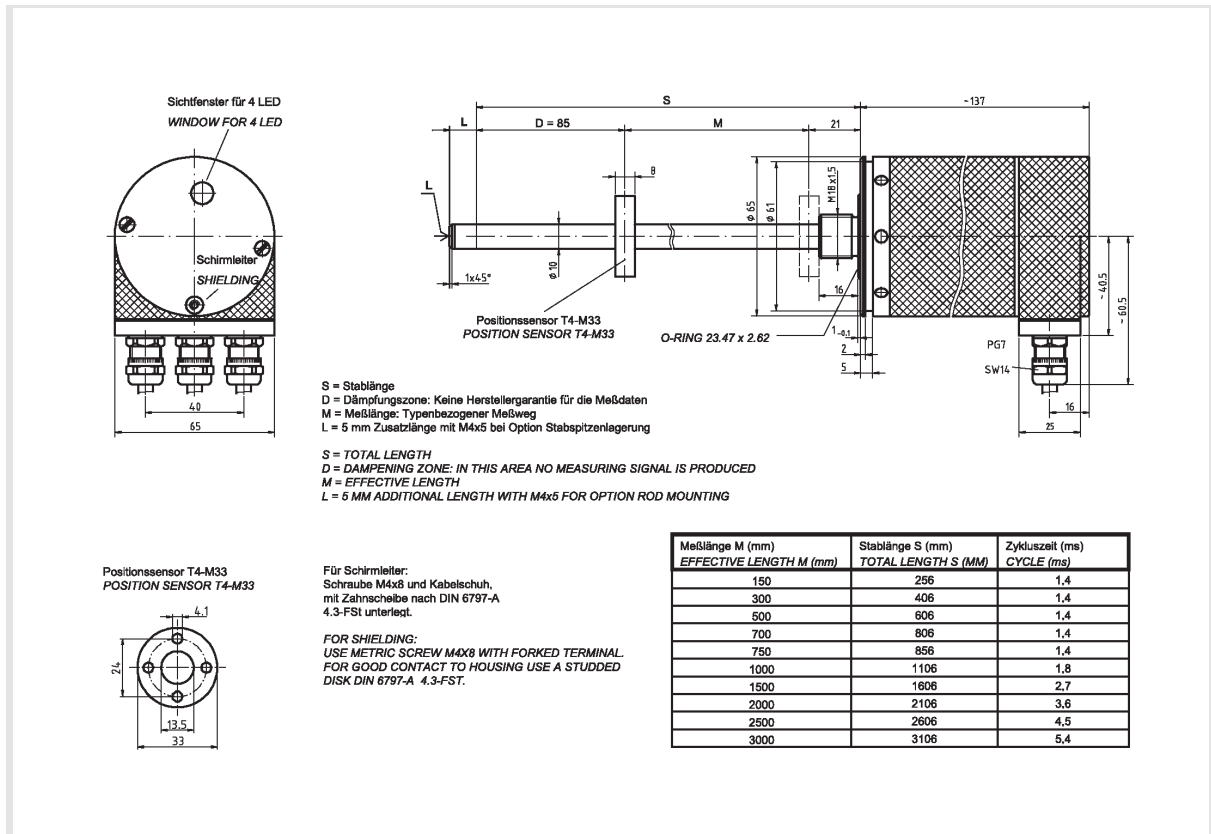
# Linear-Transducer LA66K - IBS

Ref.: K-LA66-IBS-1

18.11.2013

0102010060

## Dimensional drawing



Subject to change.