

DL071

Large Area Diffuse Illuminator

- Aii** Designed for inspecting large, reflective objects
- Aii** Extremely diffuse illumination over an area 18" square



Ordering Information

Standard Product:
Shipped Within Two Weeks

DL071

DL071-WHI24
Configured for use with user
supplied 24v DC.

Standard Product Variation:
Shipped Within Two Weeks

	Spectral wavelength	Optional power Compatibility	Alternative Connector
DL071 -	XXX	XX	XXX
(blue)	470 †	IC	M12* (male)
(green)	530 †	C2	
(amber)	590	C3	
(red)	625	C5	
(infra-red)	850	12	
(white)	WHI †	24	

IC = iCS (requires 24v power supply)

C2 = Ai Connector

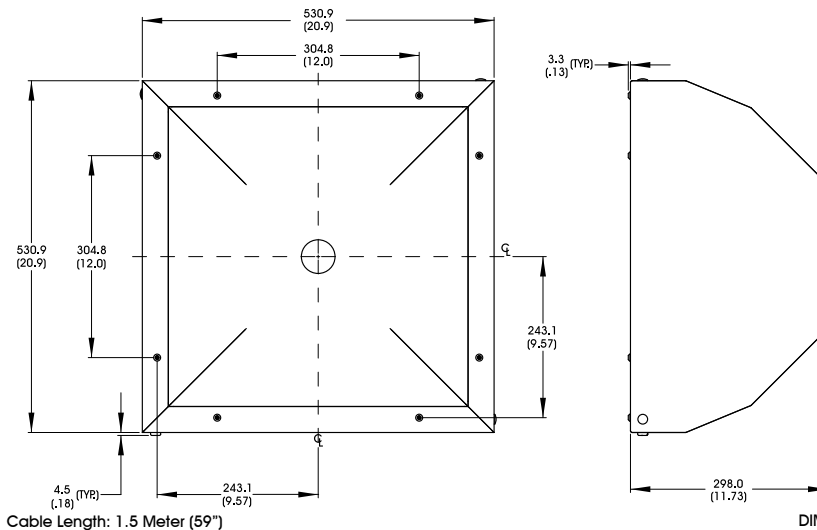
C3 = Pulsar 710 Connector

C5 = Pulsar 320 Connector

* Available with IC, IS, and 24v options only

† Not available in 12v

Dimensional Information



[Click for Installation Models & Drawings](#)

DIMENSIONS ARE IN MILLIMETERS (INCHES)

Standard Variation Current Specifications

	blue	green	amber	red	infra-red	white	
@12	N/A	N/A	2800	2800	2800	N/A	mA
@24	1400	1400	1400	1400	1400	1400	mA

Standard Product Information

Product Lifetime: 50,000 hours

Operating Temperature: 0-60° C