

Absolute-Encoder AEV115 - PB / SSI

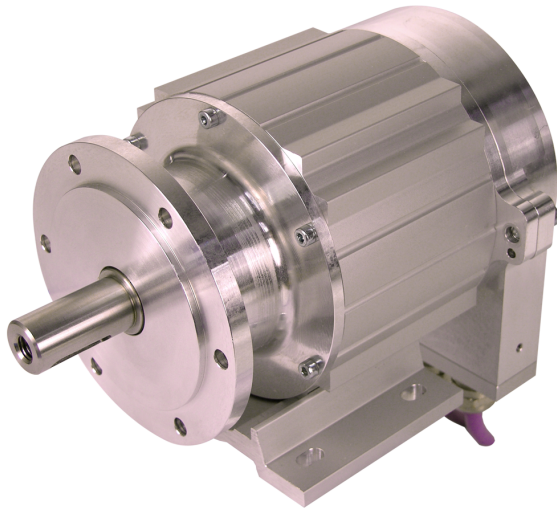
Ref.: K-AEV115-PB-1

18.11.2013

010102011502020201

Advantages

- Customer-specific solutions
- Ex-Protection Zone 22
- Flexible programming
- For heavy machine industries
- Further interfaces available
- Rugged construction
- Special profile housing



General Data

Nominal voltage	24 VDC
- Specific value	
- Limit values, min/max	11/27 VDC
Power consumption	<= 7 W
Device design	
- Type	Single-/Multi-Turn
Total resolution	<= 31 Bit
Number of steps per revolution	<= 8192
Number of revolutions	<= 256000
Output capacity	<= 25 Bit
PROFIBUS - Interface	
- PROFIBUS-DP V0	IEC 61158, IEC 61784
- PNO Encoder-Profile	Class 1 and 2
SSI - Interface	
- Equipment	Optional interface
- SSI-Clock input	Optocoupler
- SSI-Data output	RS-422, 2-wire
- SSI-Clock frequency	80...1000 kHz
- SSI-Mono time, typically	18 μ s
Incremental - Interface	
- Equipment	Optional interface
- Incremental signals, square	K1 \pm K2 \pm

Subject to change.

TR-Electronic GmbH
 Eglshalde 6
 78647 Trossingen
 Tel. +49 (0) 7425 228-0
 info@tr-electronic.de
www.tr-electronic.de

Absolute-Encoder AEV115 - PB / SSI

Ref.: K-AEV115-PB-1
18.11.2013
010102011502020201

General Data continuation

- Impulses, square wave	1024 or 2048
- Output driver, TTL	RS-422, 5 VDC
Transmission rate	
- Specific value	9.6...12000 kbit/s
Cycle time	250 µs
Parameter/Function, changeable	Resolution
	Output code
	Limit switch
	External Preset inputs
	Adjustment - Parameter
	SSI-Parameter
	Counting direction
	Gear function
	Velocity parameter
Type of parametrization	programmable
Prgramming - Tool	Fieldbus-Device
External inputs	
- Preset	electronic adjustment
- Logic level	"0" < +2V, "1" = Supply
Maximum Speed, mechanically	<= 3600 1/min
Shaft load, axial/radial	<= 100 N, <= 150 N
Bearing life time	>= 2.8E+10 revolutions
Bearing life time - Parameter	
- Speed	3000 1/min
- Operating temperature	60 °C
- Shaft load, axial/radial	<= 60 N, <= 90 N
Point of origin, shaft load	at the shaft end
Angular acceleration	<= 10E+4 rad/s ²
Mass, typically	4 kg

Environmental conditions

Vibration	
- Specific value	<= 245 m/s ²
- Sine	50...2000 Hz
Immunity to disturbance	DIN EN 61000-6-2
Transient emissions	DIN EN 61000-6-3

Subject to change.

Absolute-Encoder AEV115 - PB / SSI

Ref.: K-AEV115-PB-1
18.11.2013
010102011502020201

Environmental conditions continuation

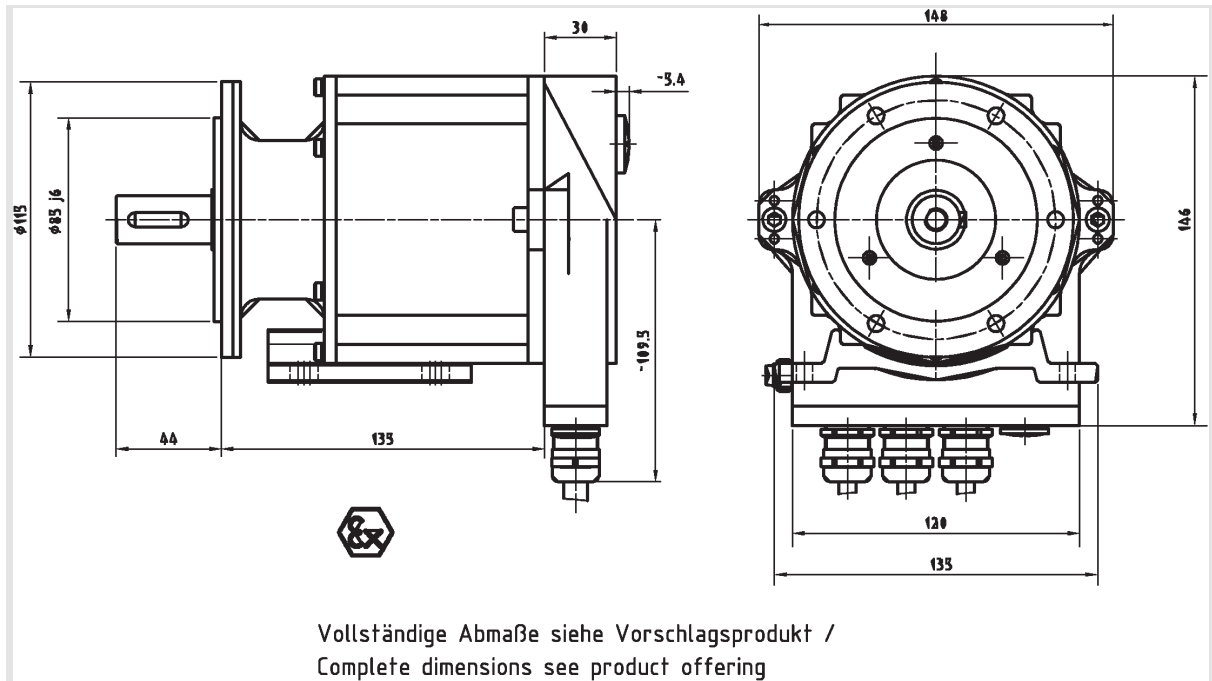
Working temperature - Standard	0...+40 °C
Storage temperature, dry	-40...+80 °C
Relative humidity	98 %, non condensing
Protection class - Standard	IP65
- Note	observe Ex User manual
Relev. Ex Directive/Standards - Directive 94/9/EG (ATEX)	Intended use
- EN 60079-0	General requirements
- DIN EN 60079-14	Installation, erection
- EN 60079-31	Dust ignition protection "t"
- DIN EN 60529	Degrees of protection, IP code
Ex protection - Data, Dust - Device group /-category	II 3D (Dc, Zone 22)
- Ignition protection type	tc (Protection by enclosure)
- Group	IIIC (conductive dust)
- Temperature, surface	T95°C

Subject to change.

Absolute-Encoder AEV115 - PB / SSI

Ref.: K-AEV115-PB-1
18.11.2013
010102011502020201

Dimensional drawing



Subject to change.