

Absolute-Encoder CEK58 - EIP



Ref.: K-CEK58-EIP-1

18.11.2013

010102005802030204

Advantages

- _ Customer-specific solutions
- _ Flexible programming
- _ Further interfaces available
- _ Modular mechanical design
- _ Modular product line
- _ Short lead times

General Data

Supply	
- Supply voltage	11...27 VDC
Current consumption no load	<= 300 mA
Device design	
- Type	Single-/Multi-Turn
Total resolution	<= 33 Bit
Number of steps per revolution	<= 32768
Number of revolutions	<= 256000
EtherNet/IP - Interface	
- EtherNet/IP	IEC 61784-1 CP 2/2, IEC 61158
- Physical Layer	Fast Ethernet, ISO/IEC 8802-3
- Device profile	Encoder Device Profile 0x22
Transmission rate	
- Specific value	100 MBit/s
Parameter/Function, changeable	Resolution
	Operating range
	Preset parameter
	Temperature parameter
	Counting direction
	Velocity parameter
Type of parametrization	programmable
Prgramming - Tool	Fieldbus-Device

Subject to change.

TR-Electronic GmbH
 Eglisshalde 6
 78647 Trossingen
 Tel. +49 (0) 7425 228-0
 info@tr-electronic.de
www.tr-electronic.de

Absolute-Encoder CEK58 - EIP

Ref.: K-CEK58-EIP-1

18.11.2013

010102005802030204

General Data continuation

Maximum Speed, mechanically	<= 12000 1/min
Shaft load, axial/radial	radial coupling forces
Bearing life time	>= 3.9E+10 revolutions
Bearing life time - Parameter - Speed	6000 1/min
- Operating temperature	60 °C
Angular acceleration	<= 10E+4 rad/s ²
Moment of inertia, typically	2.5E-6 kg m ²
Start-up torque, 20 °C	2 Ncm
Mass, typically	0.3...0.5 kg

Environmental conditions

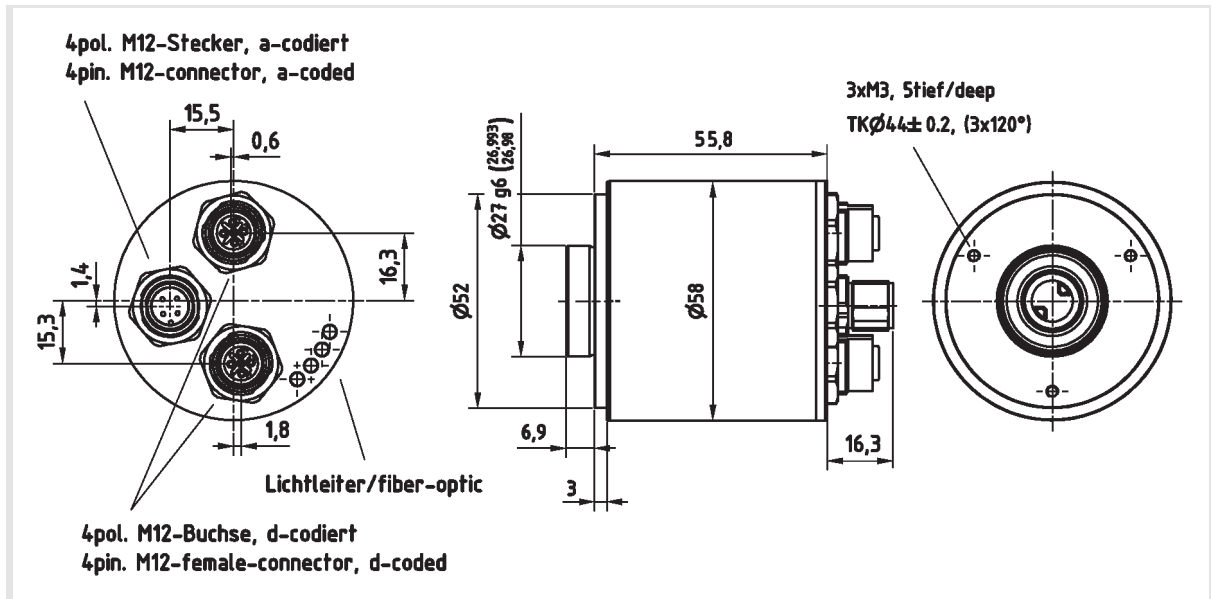
Vibration	
- Specific value	<= 100 m/s ²
- Sine	50...2000 Hz
Shock	
- Specific value	<= 1000 m/s ²
- Half sine	11 ms
Immunity to disturbance	DIN EN 61000-6-2
Transient emissions	DIN EN 61000-6-3
Working temperature	
- Standard	0...+60 °C
- Optional	-20...+70 °C;
Storage temperature, dry	-30...+80 °C
Relative humidity	98 %, non condensing
Protection class	
- Standard	IP65

Subject to change.

Absolute-Encoder CEK58 - EIP

Ref.: K-CEK58-EIP-1
 18.11.2013
 010102005802030204

Dimensional drawing



Subject to change.