

Absolute-Encoder CMV36M - SSI



Ref.: K-CMV36-SSI-2

18.11.2013

010102003601010201

Advantages

- _ Customer-specific solutions
- _ Further interfaces available
- _ Very small construction

General Data

Supply	
- Supply voltage	11...27 VDC
- Optional	5 VDC \pm 10 %
Current consumption no load	\leq 40 mA
Device design	
- Type	Multi-Turn
Total resolution	\leq 24 Bit
Number of steps per revolution	\leq 4096
Number of revolutions	\leq 4096
Accuracy	\pm 1,4 °
SSI - Interface	
- SSI-Clock input	Optocoupler
- SSI-Data output	RS-485, 2-wire
- SSI-Clock frequency	80... 1000 kHz
- SSI-Mono time, typically	20 μ s
Parameter/Function, changeable	Resolution
	Output code
	Number of data bits
	Mono time
	Preset parameter
	SSI-Output

Subject to change.

TR-Electronic GmbH
 Eglshalde 6
 78647 Trossingen
 Tel. +49 (0) 7425 228-0
 info@tr-electronic.de
www.tr-electronic.de

Absolute-Encoder CMV36M - SSI

Ref.: K-CMV36-SSI-2
 18.11.2013
 010102003601010201

General Data continuation

	Counting direction
Type of parametrization	programmable
Prgramming - Tool	TR-Soft: TRWinProg
External inputs	
- Function input	Count direction or Preset
- Logic level	"0" < +2V, "1" = Supply
Maximum Speed, mechanically	<= 6000 1/min
Shaft load, axial/radial	<= 5 N, <= 10 N
Bearing life time	>= 3.9E+10 revolutions
Bearing life time - Parameter	
- Speed	3000 1/min
- Operating temperature	60 °C
- Shaft load, axial/radial	<= 5 N, <= 10 N
Point of origin, shaft load	at the shaft end
Angular acceleration	<= 10E+4 rad/s ²
Moment of inertia, typically	2.5E-6 kg m ²
Start-up torque, 20 °C	2 Ncm
Mass, typically	0.15 kg

Environmental conditions

Vibration	
- Specific value	<= 100 m/s ²
- Sine	50...2000 Hz
Shock	
- Specific value	<= 1000 m/s ²
- Half sine	11 ms
Immunity to disturbance	DIN EN 61000-6-2
Transient emissions	DIN EN 61000-6-3
Working temperature	
- Standard	-25...+70 °C
Storage temperature, dry	-20...+85 °C
Relative humidity	98 %
Protection class	
- Standard	IP54

Subject to change.

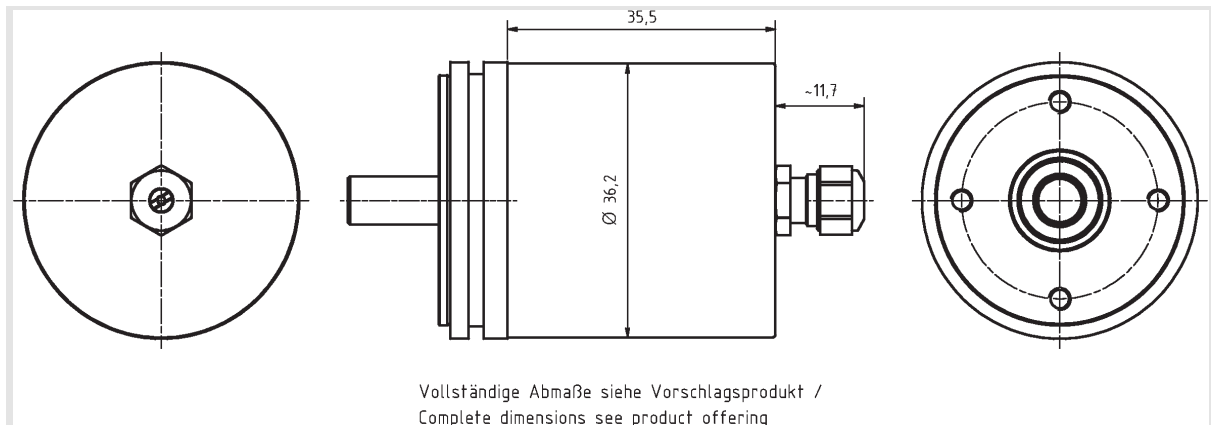
Absolute-Encoder CMV36M - SSI

Ref.: K-CMV36-SSI-2

18.11.2013

010102003601010201

Dimensional drawing



Suggested products

CMV36M*4096/4096 V000 SSI 6GL/10,8
Vollwelle, Kabelabgang

CMV36M-00011

CMV36M*8192/4096 V000 SSI 6GL/10,8
Vollwelle, Kabelabgang

CMV36M-00012

Subject to change.