

# RL2115

## Dark Field Ring Light



- Aii** Produces classic dark field effects.
- Aii** Designed for inspecting small objects.

### Ordering Information

Standard Product:  
Shipped Next Day

**RL2115**

P/N: RL2115-660  
Configured for use with Ai  
Power Supply

Standard Product Variation:  
Shipped Within Two Weeks

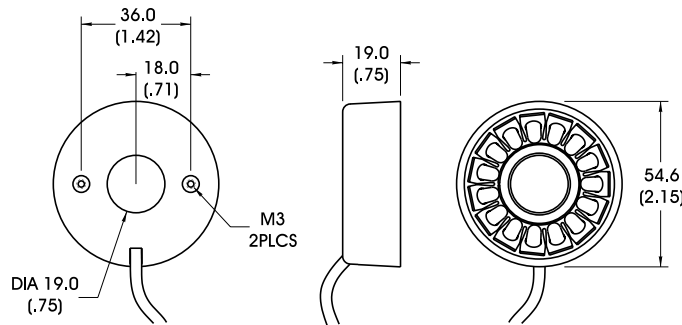
Spectral wavelength	Optional power Compatibility	
	XXX	XX
(blue) 470 †		12
(green) 520 †		24
(yellow) 590		
(orange) 625		
(red) 660		
(infra-red) 880		
(white) WHI †		

† Not available in 12v

**Optimal working distance:**

12.7mm (.5")  
up to 25.4mm (1")

### Dimensional Information



DIMENSIONS ARE IN MILLIMETERS (INCHES)

Standard Variation Current Specifications										Standard Product Information	
	blue	green	yellow	orange	red	infra-red	white	RGB			
@12	N/A	N/A	60	60	90	100	N/A	N/A	mA	Product Lifetime:	50,000 hours
@24	60	60	60	60	90	100	60	N/A	mA	Operating Temperature:	0-60° C