

Absolute-Encoder CES58 - ETC

Ref.: K-CES58-ETC-1

18.11.2013

010102005802030203

Advantages

- _ Economical alternative
- _ Further interfaces available
- _ Short lead times
- _ Small construction



General Data

Supply	
- Supply voltage	11...27 VDC
Current consumption no load	<= 300 mA
Device design	
- Type	Single-/Multi-Turn
Total resolution	<= 30 Bit
Number of steps per revolution	<= 32768
Number of revolutions	<= 32768
EtherCAT - Interface	
- EtherCAT	IEC 61158-1-6, IEC 61784-2
- Physical Layer	Fast Ethernet, ISO/IEC 8802-3
- Device profile	CoE, CiA DS-406
Transmission rate	
- Specific value	100 MBit/s
Cycle time	62.5...32000 µs
Parameter/Function, changeable	Resolution
	Preset parameter
	Counting direction
Type of parametrization	programmable
Prgramming - Tool	Fieldbus-Device
	TR-Soft: TRWinProg
Maximum Speed, mechanically	<= 12000 1/min

Subject to change.

TR-Electronic GmbH
 Eglshalde 6
 78647 Trossingen
 Tel. +49 (0) 7425 228-0
 info@tr-electronic.de
www.tr-electronic.de

Absolute-Encoder CES58 - ETC

Ref.: K-CES58-ETC-1

18.11.2013

010102005802030203

General Data continuation

Shaft load, axial/radial	Own mass
Bearing life time	$\geq 3.9E+10$ revolutions
Bearing life time - Parameter - Speed	6000 1/min
- Operating temperature	60 °C
Angular acceleration	$\leq 10E+4$ rad/s ²
Moment of inertia, typically	2.5E-6 kg m ²
Start-up torque, 20 °C	2 Ncm
Mass, typically	0.3...0.5 kg

Environmental conditions

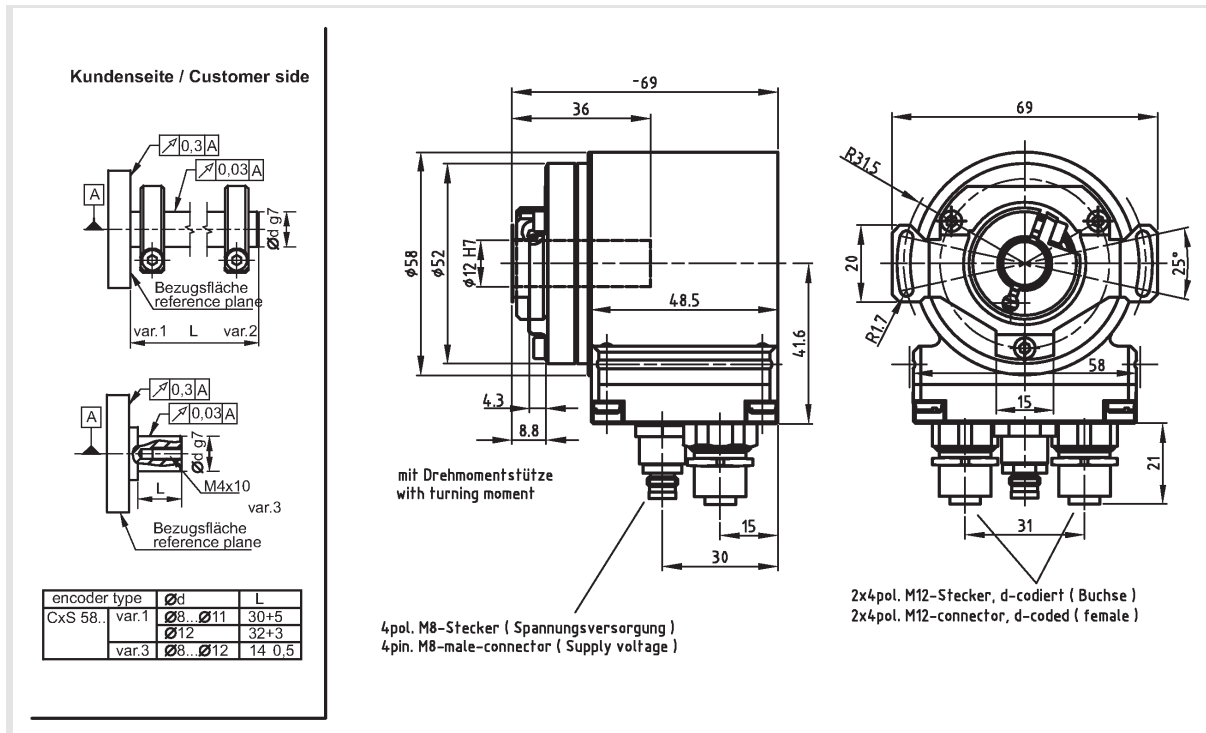
Vibration	
- Specific value	≤ 100 m/s ²
- Sine	50...2000 Hz
Shock	
- Specific value	≤ 1000 m/s ²
- Half sine	11 ms
Immunity to disturbance	DIN EN 61000-6-2
Transient emissions	DIN EN 61000-6-3
Working temperature	
- Standard	0...+60 °C
- Optional	-20...+70 °C;
Storage temperature, dry	-30...+80 °C
Relative humidity	98 %, non condensing
Protection class	
- Standard	IP65

Subject to change.

Absolute-Encoder CES58 - ETC

Ref.: K-CES58-ETC-1
 18.11.2013
 010102005802030203

Dimensional drawing



Suggested products

CES58S*8192/1 ETHERCAT SACK-HW10 2x 4 pol M12 1x 4 pol M8	CES58S-00025
CES58S*8192/1 ETHERCAT SACK-HW12 2x 4 pol M12 1x 4 pol M8	CES58S-00031

Subject to change.