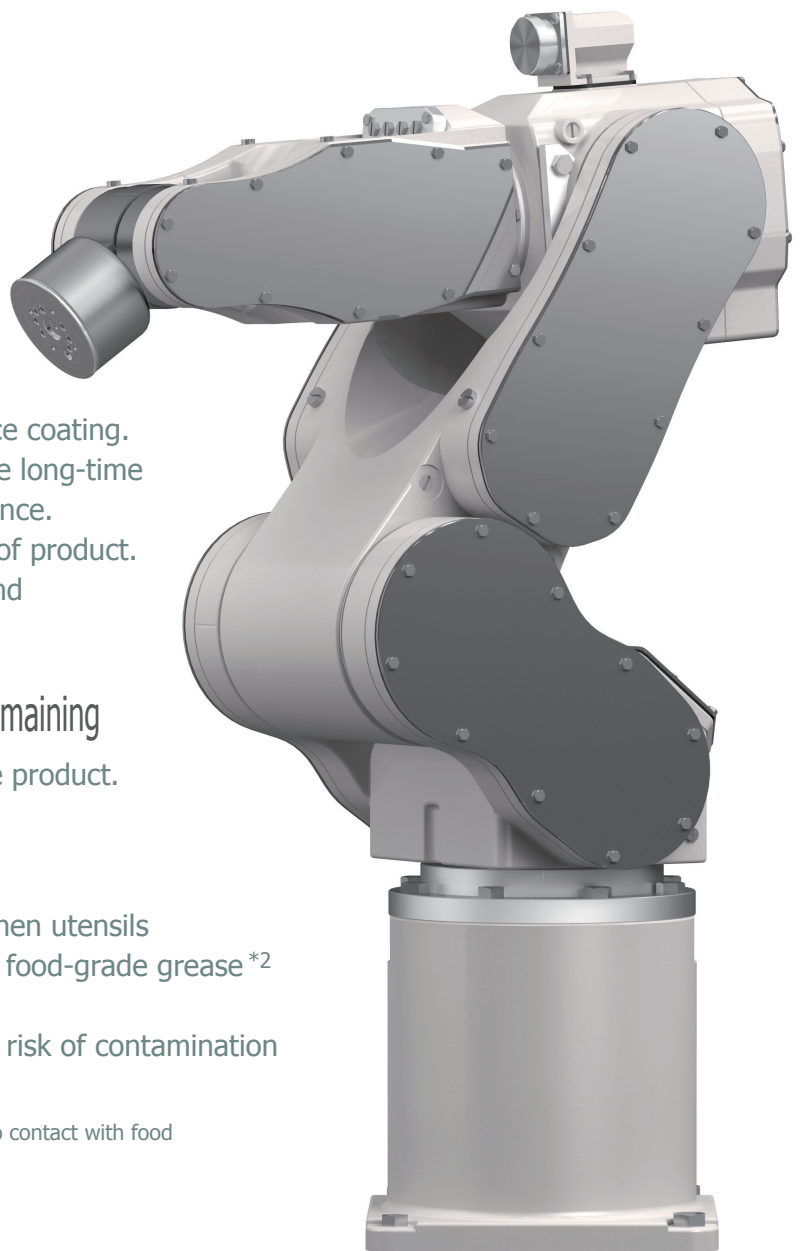




Epson Support in Medical/Pharmaceutical Fields

We help automation in VHP gas sterilized environment with our high-quality products



Tolerant to Vaporized Hydrogen Peroxide (VHP) gas

Exterior parts are treated with corrosion-resistance coating. Special material is used for sealing parts to enable long-time sliding motions and chemical-resistance performance. VHP environment model is a perfect VHP gas-proof product. This model is also tolerant to chemical solution and detergent from mild-acid to mild-alkaline .

Sanitary-design: Prevent Foreign Substances from Remaining

Smooth surface design makes it easy to clean the product.

Safe Material

Safe coating material^{*1} which is also used for kitchen utensils is used for exterior parts. For oil seal lubrication, food-grade grease^{*2} is used.

Also, end effectors are stainless, which reduces a risk of contamination by foreign substances.

*1 Material approved by FDA (U.S. Food and Drug Administration) to contact with food

*2 NSF H1 Grade

Compact and Slim Design

Compact and slim design makes it easy to install a robot in a sealed environment such as inside the isolator.

Available Applications

Sterile Preparations

VHP environment model is available in sterile preparation lines for filling syringes, ampule, or vials. This model can be used to transport syringes to production lines or sort prefilled syringes into a pallet.

Sterile Isolator

VHP environment model can be used for a variety of transportation in the isolator cleaned by VHP.

Aseptic Clean Room

VHP environment model can be used for a variety of transportation in cleanrooms periodically cleaned by VHP.

High-active drug

VHP environment model can be used in a sealed environment to manufacture high pharmacologically -active anticancer drugs or steroid drugs.

This IP67-grade strong water proof model can be cleaned with chemical solution.

Basic Specifications

Model	VHP ^{*3} environment model C3-A601V
P-point	605 mm
Payload	2.5 Kg
Weight	35 Kg
Sterilized Environment Performance	Full tolerance to H ₂ O ₂ gas (300-1000ppm)
Performance to be cleaned	Detergent washing available (ph4.5-8.5)
IP class	IP67
Clean class	ISO4

*3 VHP : Vaporized Hydrogen Peroxide