

# Absolute-Encoder CMV65 - SSI

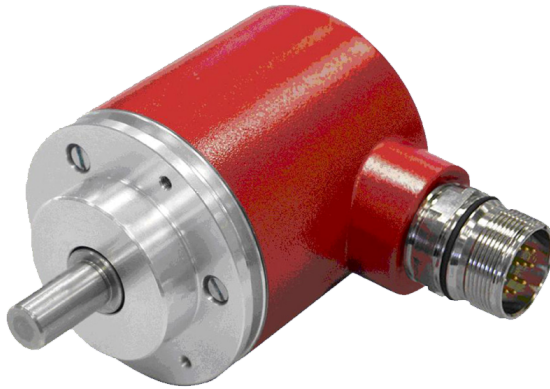
Ref.: K-CMV65-SSI-1

18.11.2013

010102006501010201

## Advantages

- \_ Economical alternative
- \_ Further interfaces available
- \_ Rugged standard solution
- \_ Short lead times



## General Data

Supply	
- Supply voltage	11...27 VDC
Current consumption no load	<= 150 mA
Device design	
- Type	Single-/Multi-Turn
Total resolution	<= 23 Bit
Number of steps per revolution	<= 2048
Number of revolutions	<= 4096
Accuracy	± 1,0 °
SSI - Interface	
- SSI-Clock input	Optocoupler
- SSI-Data output	RS-422, 2-wire
- SSI-Clock frequency	80...1000 kHz
- SSI-Mono time, typically	20 µs
Parameter/Function, changeable	Resolution
	Output code
	Number of data bits
	Preset parameter
	Counting direction
Type of parametrization	programmable
Prgramming - Tool	TR-Soft: TRWinProg

Subject to change.

TR-Electronic GmbH  
 Eglshalde 6  
 78647 Trossingen  
 Tel. +49 (0) 7425 228-0  
 info@tr-electronic.de  
[www.tr-electronic.de](http://www.tr-electronic.de)

# Absolute-Encoder CMV65 - SSI

Ref.: K-CMV65-SSI-1

18.11.2013

010102006501010201

## General Data continuation

External inputs	
- F/R	Count direction
- Preset	electronic adjustment
- Logic level	"0" < +2V, "1" = Supply
Maximum Speed, mechanically	<= 6000 1/min
Shaft load, axial/radial	<= 40 N, <= 60 N
Bearing life time	>= 3.9E+10 revolutions
Bearing life time - Parameter	
- Speed	3000 1/min
- Operating temperature	60 °C
- Shaft load, axial/radial	<= 20 N, <= 30 N
Point of origin, shaft load	at the shaft end
Angular acceleration	<= 10E+4 rad/s <sup>2</sup>
Moment of inertia, typically	2.5E-6 kg m <sup>2</sup>
Start-up torque, 20 °C	2 Ncm
Mass, typically	0.7 kg

## Environmental conditions

Vibration	
- Specific value	<= 100 m/s <sup>2</sup>
- Sine	50...2000 Hz
Shock	
- Specific value	<= 1000 m/s <sup>2</sup>
- Half sine	11 ms
Immunity to disturbance	DIN EN 61000-6-2
Transient emissions	DIN EN 61000-6-3
Working temperature	
- Standard	0...+60 °C
- Optional	-20...+70 °C;
Storage temperature, dry	-30...+85 °C
Relative humidity	98 %, non condensing
Protection class	
- Standard	IP65

Subject to change.

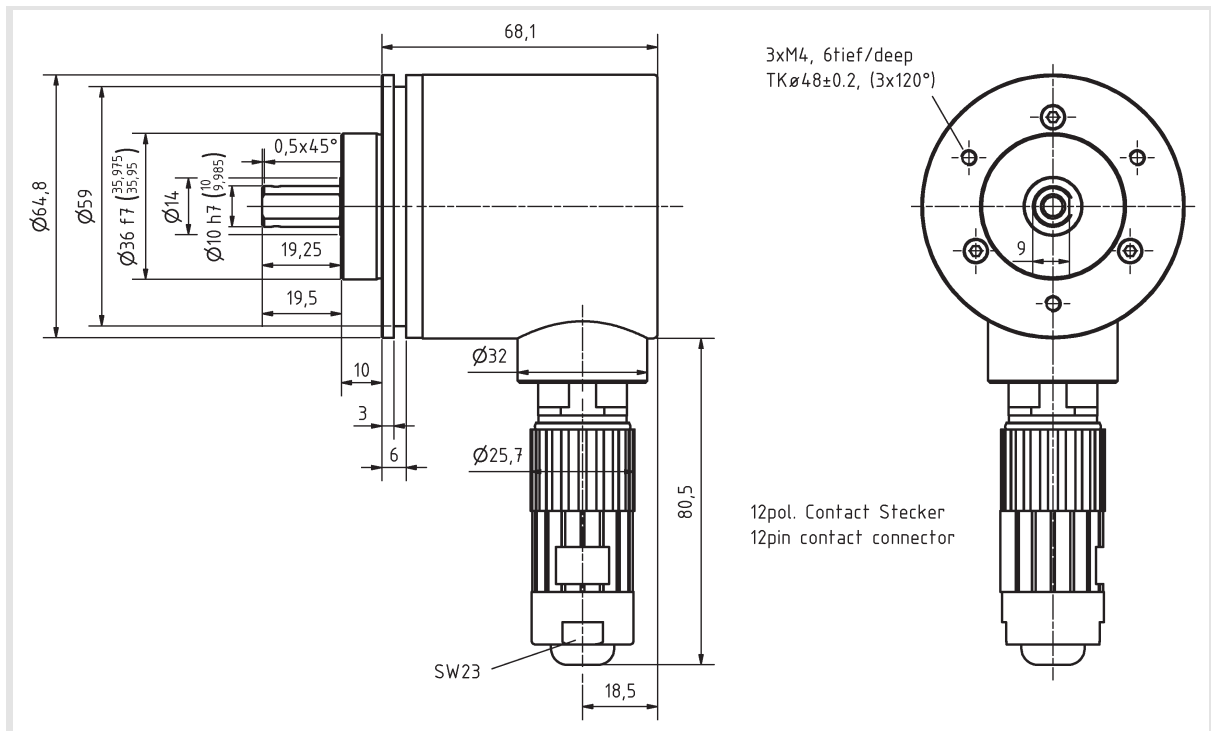
# Absolute-Encoder CMV65 - SSI

Ref.: K-CMV65-SSI-1

18.11.2013

010102006501010201

## Dimensional drawing



Subject to change.