

## DL097

### High Brightness LED Diffuse Dome



**Aii** 3x brighter than standard LEDs in the DL9160 dome

**Aii** Rugged metal construction.

#### Ordering Information

Standard Product:  
Shipped Next Day

Standard Product Variation:  
Shipped Within Two Weeks

#### DL097-WHIIC

Configured with in-line  
current source (ICS)

#### DL097-625IC

Configured with in-line  
current source (ICS)

		Spectral wavelength		Optional power compatibility
DL097	-	XXX		XX
		(blue) 470		IC
		(green) 530		C2
		(red) 625		C3
		(IR) 850		
		(white) WHI		

**Optimal working distance:**  
25.4mm (1")

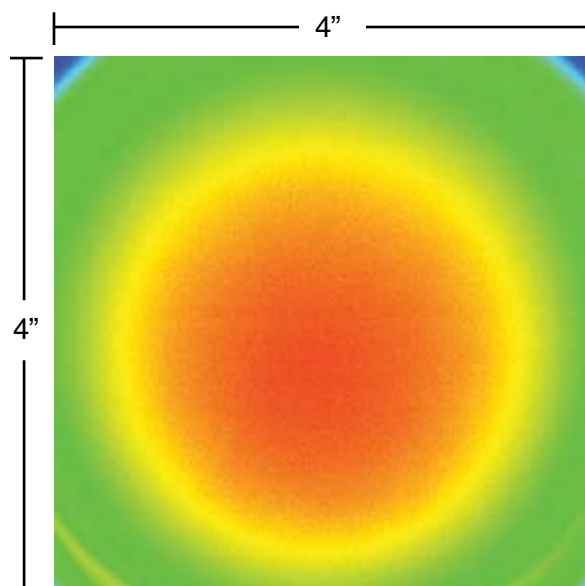
**Effective Working Range:**  
12.7-50mm (.5"-2")

IC = ICS (requires 24v power supply)

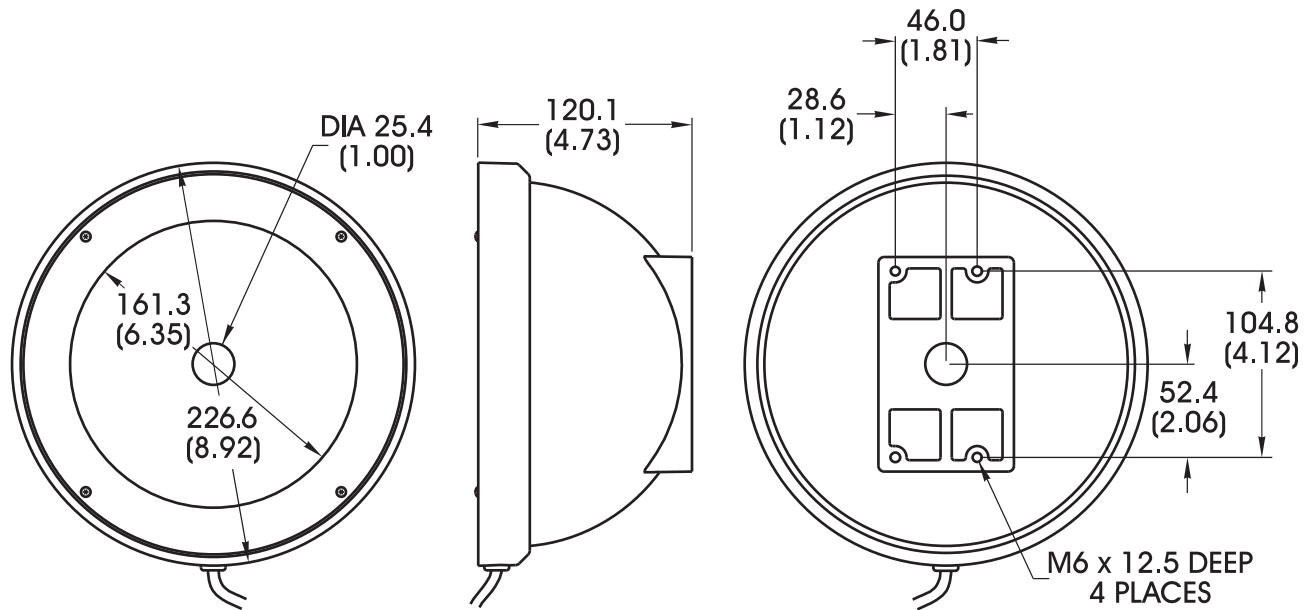
C2 = Ai Connector

C3 = Pulsar Connector

#### Intensity Distribution



Dimensional Information



Cable Length: 2 Meters (78")

DIMENSIONS ARE IN MILLIMETERS (INCHES)

Standard Variation Current Specifications

	blue	green	red	infra-red	white	
Ai / iCS	700	700	700	700	700	mA

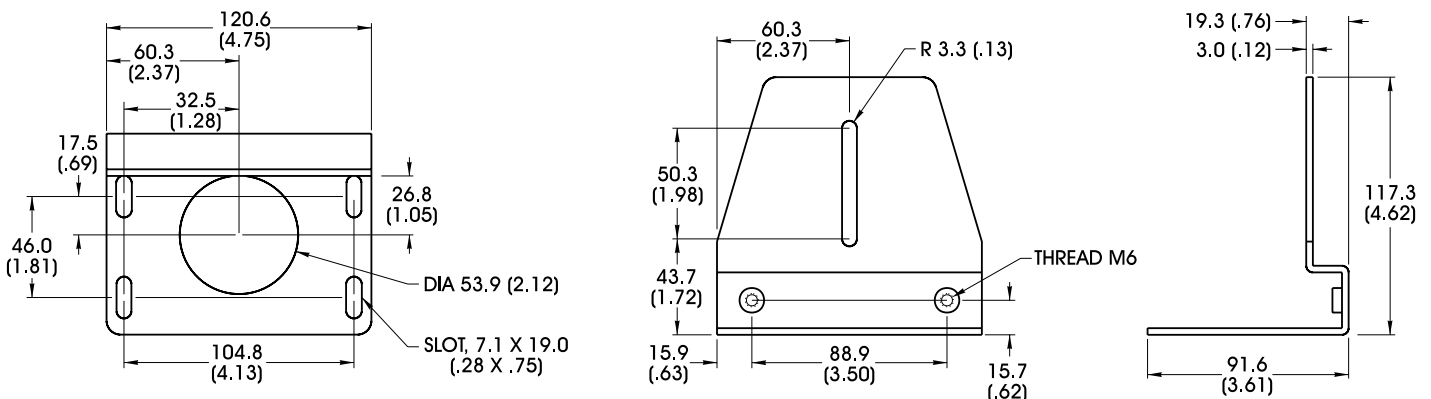
General Specifications

Weight:	1,728 g (60.8 oz)
Finish:	Black Anodized
Operating Temperature:	0-60°C
Meets Specifications:	CE, RoHS

Standard Product Information

Red	Max. Illumination	Irradiance (mW/cm <sup>2</sup> )	Illuminance (Lux)
	Working Distance: 25mm (1")	3.25	7,700
	Lifetime	50,000 hrs	
White	Max. Illumination	Irradiance (mW/cm <sup>2</sup> )	Illuminance (Lux)
	Working Distance: 25mm (1")	3.48	15,300
	Lifetime	50,000 hrs	

Additional Information



802.767.3830



## inline Strobe Unit

### Built-in Strobe



- 4i) Built into the power cable**
- 4i) Manual potentiometer adjustable range of 30 to 300 $\mu$ Sec output pulse-width**
- 4i) Timing Bypass Option**



shown with the RL121

The ISU (Inline Strobe Unit) is a small, lightweight strobe source designed to drive LED light assemblies up to a maximum current of 12A (pulse-width dependent). The unit resides outside of the associated light head being placed “inline” with the light head power cable. Maximum light head drive current is set at the factory for a given light source while a user adjustable range of 30 to 300 $\mu$ Sec output pulse width is available (via potentiometer or through trigger pulse width). The unit is designed to operate with a DC input voltage of between 18 and 35 volts.

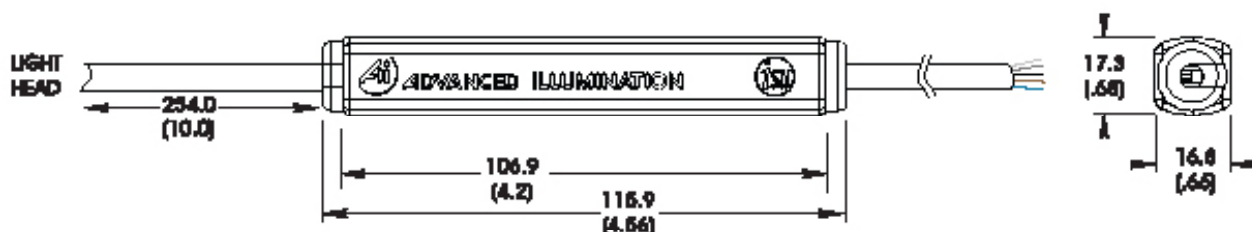
The unit has two triggering modes of operation:

**Fixed Trigger Mode:** Selectable pulse width range of 30-300 $\mu$ Seconds that is accessible via user-adjust potentiometer.

**Timing Bypass Trigger Mode:** Output Pulse width follows the width of input trigger. User-adjust potentiometer sets the maximum.

An active high and active low input trigger is available. External wire (mode select) must be connected to GND (0V in this case) in order to select timing bypass model.

### Dimensional Information



The ISU is not detachable. Standard location is 10" from the light head; if necessary, a different cable length and / or ISU location can be specified when ordering. Standard Cable Length (including ISU) is 1.5M (59").

DIMENSIONS ARE IN MILLIMETERS (INCHES)

## ISU SPECIFICATIONS

Parameter	Specification	Notes
Input Voltage Range	+18 to 30VDC	
Strobe output	0 - 12A*	* Pulse-width/Light head dependent
Current Output Adj.	Min to Max Current adj. as established by factory setting	Maximum current set assuming 300µSec operation
Max. Input Current	1.1A	Approx 100ma local
Trigger	Active HI: WHITE Active LO: BLACK	TTL compatible, 30VDC tolerant
Max. Output Voltage	= Vin - 1v	
<b>Mechanical &amp; Environmental</b>		
Power Indicator	Red LED is used to indicate power is being supplied	
Storage Temperature	-40 to +125C	
Operating Temperature	0 to +70C	
Housing Material	High Impact Polycarbonate	
Weight	Approx 1.7 oz	Cable Not Included
Size	Approx 4.55L x 0.67W x 0.70H	Inches

## ISU PINOUT

<b>BROWN</b>	VIN +
<b>BLUE</b>	VIN -
<b>WHITE</b>	Active high trigger input
<b>BLACK</b>	Active low trigger input
<b>GRAY</b>	Trigger Mode Select: Connect to 0V to enable timing bypass. Leave floating for fixed trigger mode

## ISU TRIGGER MODES

