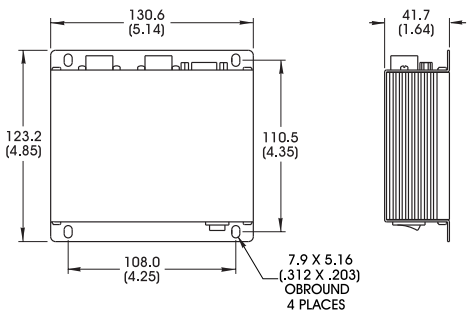
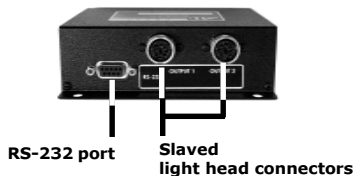
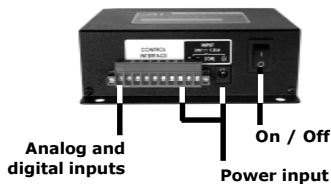




MS210



DIMENSIONS ARE IN MILLIMETERS (INCHES)



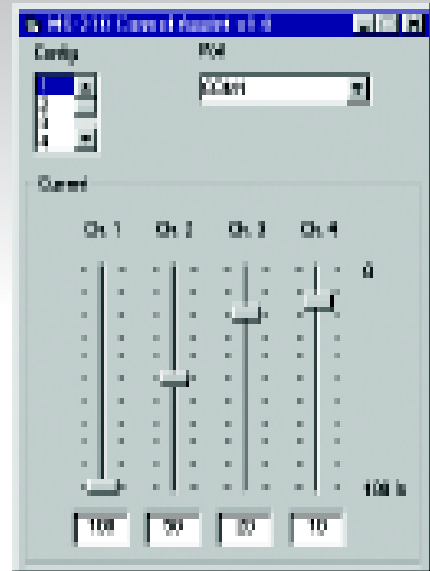
# MS210

## Dual Output Channel Mixer

- Provides independent intensity control of four channels through dual slaved outputs.
- RS-232 programmable.
- Front panel terminal block provides an analog and a digital (on/off) control input for each slaved output channel.
- Signature technology (Signatech) verifies a light head's electronic signature and automatically sets the appropriate output current level.
- Features industrialized power input terminal block as well as conventional DC jack.
- Extruded enclosure provides optimal thermal management.
- Can be used with either PS24 or PS24-TL power supplies

### MS210 Control Applet

The MS210 Control Applet enables the user to program the intensity levels of each of four channels within a single light head when connected to an MS210 four channel intensity controller. Intensity is expressed as a percentage between 0 and 100 percent, where 0 percent represents minimum intensity and 100 percent maximum intensity. Maximum intensity is calculated based on the SignaTech signature of the light and various controller operating parameters.



### Part Number Designation

Standard Product ***SHIPPED NEXT DAY***

Part Number: **MS210**

Have a question?  
Call us @ 802.767.3830 or FAX @ 802.767.3831