

# Absolute-Encoder CEH110 - SSI

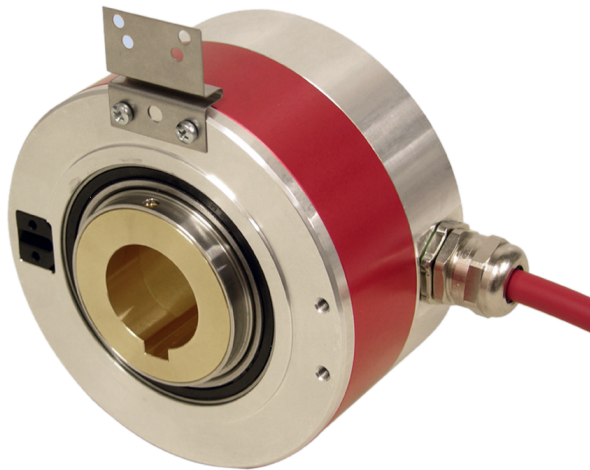
Ref.: K-CEH110-SSI-1

18.11.2013

010102011002010202

## Advantages

- \_ Customer-specific solutions
- \_ Flexible programming



## General Data

Supply	
- Supply voltage	11...27 VDC
- Optional	5 VDC $\pm$ 5 %
Current consumption no load	$\leq$ 110 mA
Device design	
- Type	Single-/Multi-Turn
Total resolution	$\leq$ 33 Bit
Number of steps per revolution	$\leq$ 32768
Number of revolutions	$\leq$ 256000
SSI - Interface	
- SSI-Clock input	Optocoupler
- SSI-Data output	RS-422, 2-wire
- SSI-Clock frequency	80...1000 kHz
- SSI-Mono time, typically	20 $\mu$ s
Incremental - Interface	
- Equipment	Optional interface
- Incremental signals, square	$K1 \pm K2 \pm K0 \pm$
- Impulses, square wave	4096 $\square$
- Output driver, TTL	RS-422, 5 VDC
- Output driver, HTL	Push-Pull, 11...27 VDC
Cycle time	0.250 $\mu$ s, internal
Parameter/Function, changeable	Resolution

Subject to change.

TR-Electronic GmbH  
 Eglisshalde 6  
 78647 Trossingen  
 Tel. +49 (0) 7425 228-0  
 info@tr-electronic.de  
[www.tr-electronic.de](http://www.tr-electronic.de)

## Absolute-Encoder CEH110 - SSI

Ref.: K-CEH110-SSI-1

18.11.2013

010102011002010202

### General Data continuation

	Output code
	Output format
	Preset parameter
	Toggle bit
	Counting direction
Type of parametrization	programmable
Prgramming - Tool	TR-Soft: TRWinProg
External inputs	
- F/R	Count direction
- Preset	electronic adjustment
- Logic level	"0" < +2V, "1" = Supply
Maximum Speed, mechanically	<= 2000 1/min
Shaft load, axial/radial	Own mass
Bearing life time	>= 3.9E+10 revolutions
Bearing life time - Parameter	
- Speed	2000 1/min
- Operating temperature	60 °C
Angular acceleration	<= 10E+4 rad/s <sup>2</sup>
Moment of inertia, typically	525E-6 kg m <sup>2</sup>
Start-up torque, 20 °C	8 Ncm
Mass, typically	
- Without shaft insert	1.200 kg
- With shaft insert	1.750 kg

### Environmental conditions

Vibration	
- Specific value	<= 100 m/s <sup>2</sup>
- Sine	50...2000 Hz
Shock	
- Specific value	<= 1000 m/s <sup>2</sup>
- Half sine	11 ms
Immunity to disturbance	DIN EN 61000-6-2
Transient emissions	DIN EN 61000-6-3
Working temperature	
- Standard	0...+60 °C
- Optional	-20...+70 °C;
Storage temperature, dry	-30...+80 °C

Subject to change.

## Absolute-Encoder CEH110 - SSI

Ref.: K-CEH110-SSI-1

18.11.2013

010102011002010202

### Environmental conditions continuation

Relative humidity	98 %, non condensing
Protection class - Standard	IP54

**Subject to change.**

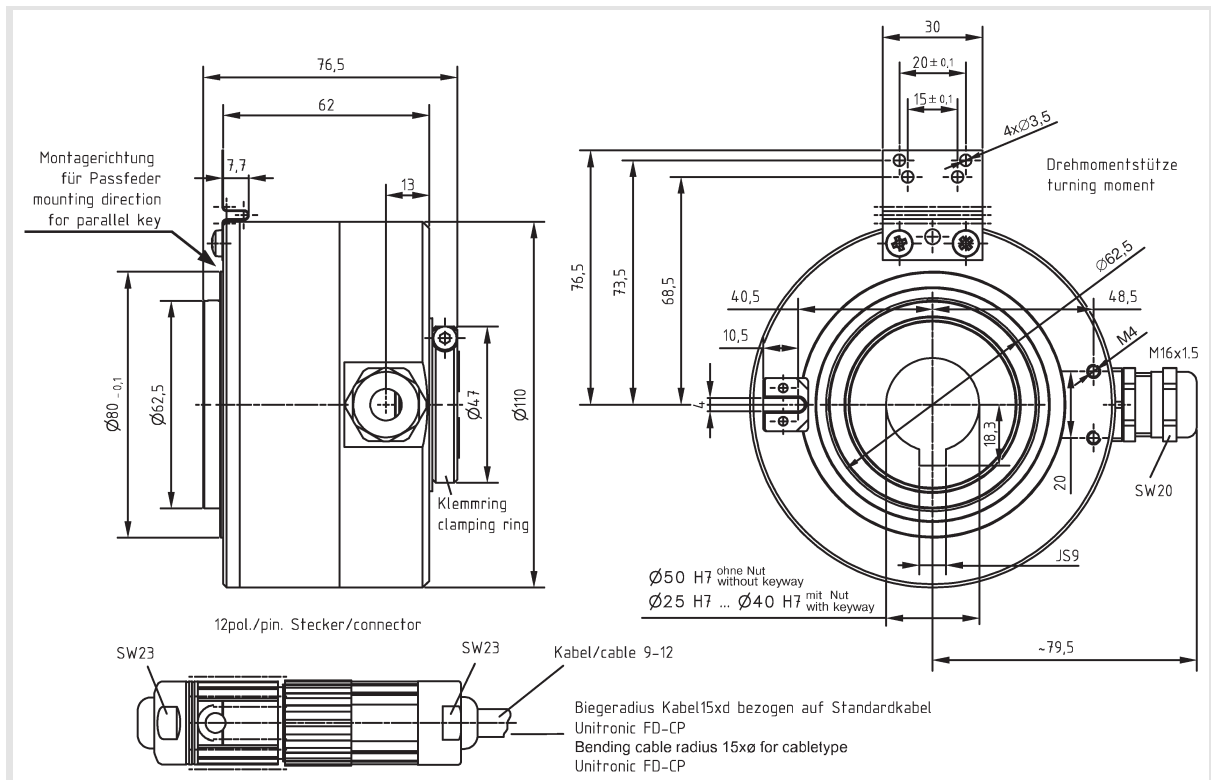
# Absolute-Encoder CEH110 - SSI

Ref.: K-CEH110-SSI-1

18.11.2013

010102011002010202

## Dimensional drawing



## Suggested products

CEH110M\*4096/4096 SSI 30H7NT  
0,3 m Ltg. 12 pol M23

CEH110M-00001

CEH110M\*8192/4096 SSI 50H7  
3 m Leitung

CEH110M-00009

CEH110S\*8192/1 SSI 30H7NT  
0,3 m Ltg. 12 pol M23

CEH110S-00002

Subject to change.

TR-Electronic GmbH  
Eglshalde 6  
78647 Trossingen  
Tel. +49 (0) 7425 228-0  
info@tr-electronic.de  
[www.tr-electronic.de](http://www.tr-electronic.de)