

Absolute-Encoder QE80 - PB

Ref.: K-QEH80-PB-1

14.11.2013

010102008102020202

Advantages

- _ Customer-specific solutions
- _ Flexible programming
- _ Further interfaces available
- _ Modular product line
- _ Rugged construction



General Data

Supply	
- Supply voltage	11...27 VDC
Current consumption no load	<= 350 mA
Device design	
- Type	Single-/Multi-Turn
Total resolution	<= 31 Bit
Number of steps per revolution	<= 8192
Number of revolutions	<= 256000
Output capacity	<= 25 Bit
PROFIBUS - Interface	
- PROFIBUS-DP V0	IEC 61158, IEC 61784
- PNO Encoder-Profile	Class 1 and 2
Transmission rate	
- Specific value	9.6...12000 kbit/s
Parameter/Function, changeable	Resolution
	Output code
	Limit switch
	External Preset inputs
	Adjustment - Parameter
	SSI-Parameter
	Counting direction
	Gear function

Subject to change.

TR-Electronic GmbH
 Eglshalde 6
 78647 Trossingen
 Tel. +49 (0) 7425 228-0
 info@tr-electronic.de
www.tr-electronic.de

Absolute-Encoder QEH80 - PB

Ref.: K-QEH80-PB-1

14.11.2013

010102008102020202

General Data continuation

	Velocity parameter
Type of parametrization	programmable
Prgramming - Tool	Fieldbus-Device
External inputs	
- Preset	electronic adjustment
- Logic level	"0" < +2V, "1" = Supply
Maximum Speed, mechanically	<= 3000 1/min
Shaft load, axial/radial	Own mass
Bearing life time	>= 3.9E+10 revolutions
Bearing life time - Parameter	
- Speed	3000 1/min
- Operating temperature	60 °C
Angular acceleration	<= 10E+4 rad/s ²
Moment of inertia, typically	57.2E-6 kg m ²
Mass, typically	1.3 kg

Environmental conditions

Vibration	
- Specific value	<= 100 m/s ²
- Sine	50...2000 Hz
Shock	
- Specific value	<= 1000 m/s ²
- Half sine	11 ms
Immunity to disturbance	DIN EN 61000-6-2
Transient emissions	DIN EN 61000-6-3
Working temperature	
- Standard	0...+60 °C
- Optional	-20...+70 °C;
Storage temperature, dry	-30...+120 °C
Relative humidity	98 %, non condensing
Protection class	
- Standard	IP54

Subject to change.

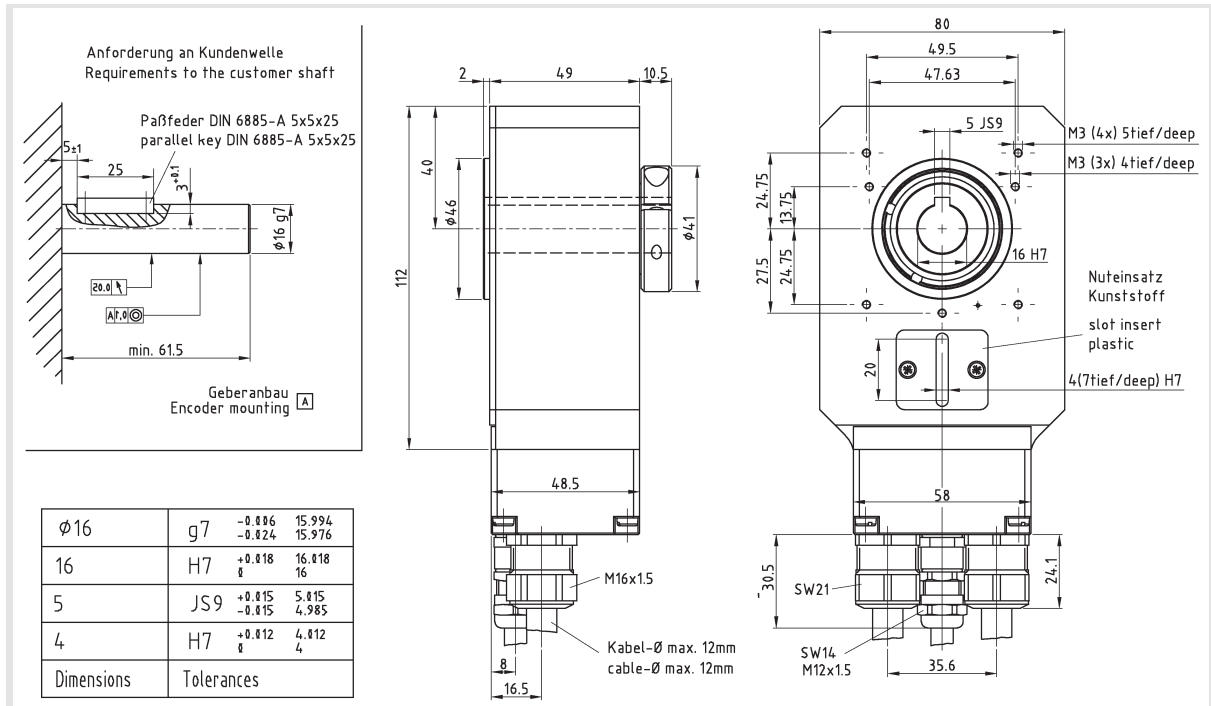
Absolute-Encoder QE80 - PB

Ref.: K-QEH80-PB-1

14.11.2013

010102008102020202

Dimensional drawing



Subject to change.