

RL36120

Bright Field Ring Light



- 4i** Intense illumination for large areas, where specular reflection is not a problem
- 4i** Available in the RGB "All Color" version

Ordering Information

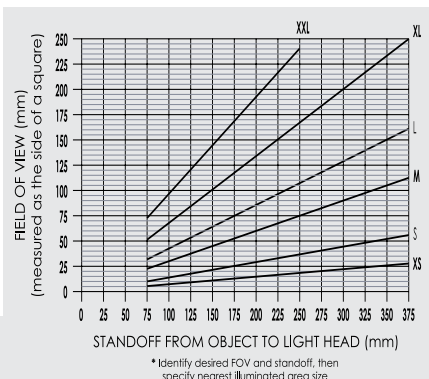
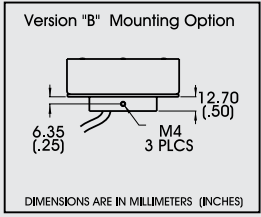
Standard Product:
Shipped Next Day

RL36120-660200XL

Configured for use with Ai Power Supply

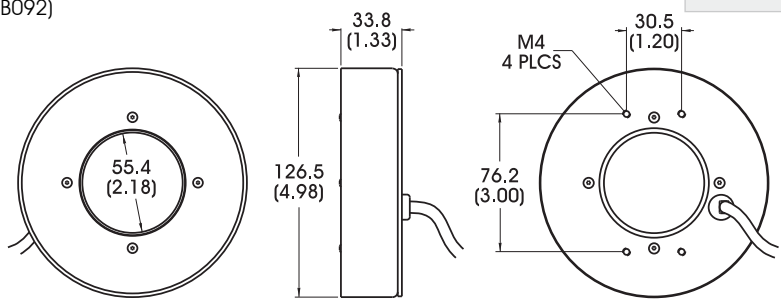
Standard Product Variation:
Shipped Within Two Weeks

| Mounting option | Spectral wavelength | Stand off | Field of view | Optional power Compatibility | Optional Light Conditioning | Alternative Connector |
|-----------------|--|--------------------------------|--------------------------------|--|-------------------------------|-----------------------|
| RL36120 X | XXX | XXX | XXX | XX | X | XXX |
| B | (UV) 395 [◇] (blue) 470 [†] (green) 520 [†] (yellow) 590 [†] (orange) 625 [⊙] (red) 660 [⊙] (infra-red) 880 [⊙] (white) WHI [†] (all color) RGB [†] | See chart to compute standoff. | XXL XL L M S XS | IC IS C2 C3 C5 12 24 | D (Diffuser) P (Polarizer) | M12* |



Dimensional Information

Includes Mounting Bracket (Part # CB092)



[Click for Installation Models & Drawings](#)

◇ UV LEDs have a considerably shorter half-life than other LEDs (< 1000hrs). For this reason Ai recommends these LEDs be used in strobe mode only. applications requiring continuous 24v power, contact Ai for assistance.

IC = ICS (requires 24v power supply)

IS = ISU (requires 24v power supply)

⊙ IS option not available

C2 = Ai Connector

C3 = Pulsar 710 Connector

C5 = Pulsar 320 Connector

* Available with IC and 24v options only

† Not available in 12v

Cable length: 1.5 Meters (59")

DIMENSIONS ARE IN MILLIMETERS (INCHES)

Standard Variation Current Specifications

| | blue | green | yellow | orange | red | infra-red | white | RGB | |
|-----|------|-------|--------|--------|-----|-----------|-------|-----|----|
| @12 | N/A | N/A | 400 | 400 | 600 | 640 | N/A | N/A | mA |
| @24 | 480 | 480 | 240 | 240 | 360 | 280 | 480 | 440 | mA |

Standard Product Information

Product Lifetime: 50,000 hours

Operating Temperature: 0-60° C



inline Strobe Unit

Built-in Strobe



- 4i) Built into the power cable**
- 4i) Manual potentiometer adjustable range of 30 to 300µSec output pulse-width**
- 4i) Timing Bypass Option**



shown with the RL121

The ISU (Inline Strobe Unit) is a small, lightweight strobe source designed to drive LED light assemblies up to a maximum current of 12A (pulse-width dependent). The unit resides outside of the associated light head being placed “inline” with the light head power cable. Maximum light head drive current is set at the factory for a given light source while a user adjustable range of 30 to 300µSec output pulse width is available (via potentiometer or through trigger pulse width). The unit is designed to operate with a DC input voltage of between 18 and 35 volts.

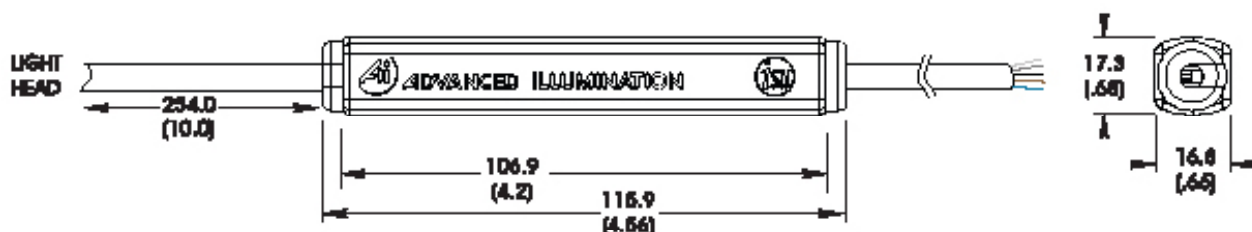
The unit has two triggering modes of operation:

Fixed Trigger Mode: Selectable pulse width range of 30-300µSeconds that is accessible via user-adjust potentiometer.

Timing Bypass Trigger Mode: Output Pulse width follows the width of input trigger. User-adjust potentiometer sets the maximum.

An active high and active low input trigger is available. External wire (mode select) must be connected to GND (0V in this case) in order to select timing bypass model.

Dimensional Information



The ISU is not detachable. Standard location is 10" from the light head; if necessary, a different cable length and / or ISU location can be specified when ordering. Standard Cable Length (including ISU) is 1.5M (59").

DIMENSIONS ARE IN MILLIMETERS (INCHES)

ISU SPECIFICATIONS

| Parameter | Specification | Notes |
|---------------------------------------|---|--|
| Input Voltage Range | +18 to 30VDC | |
| Strobe output | 0 - 12A* | * Pulse-width/Light head dependent |
| Current Output Adj. | Min to Max Current adj. as established by factory setting | Maximum current set assuming 300µSec operation |
| Max. Input Current | 1.1A | Approx 100ma local |
| Trigger | Active HI: WHITE Active LO: BLACK | TTL compatible, 30VDC tolerant |
| Max. Output Voltage | = Vin - 1v | |
| Mechanical & Environmental | | |
| Power Indicator | Red LED is used to indicate power is being supplied | |
| Storage Temperature | -40 to +125C | |
| Operating Temperature | 0 to +70C | |
| Housing Material | High Impact Polycarbonate | |
| Weight | Approx 1.7 oz | Cable Not Included |
| Size | Approx 4.55L x 0.67W x 0.70H | Inches |

ISU PINOUT

| | |
|--------------|---|
| BROWN | VIN + |
| BLUE | VIN - |
| WHITE | Active high trigger input |
| BLACK | Active low trigger input |
| GRAY | Trigger Mode Select: Connect to 0V to enable timing bypass. Leave floating for fixed trigger mode |

ISU TRIGGER MODES

