

# Absolute-Encoder CEV58 - ETC

Ref.: K-CEV58-ETC-1

18.11.2013

010102005802030201

## Advantages

- \_ Economical alternative
- \_ Further interfaces available
- \_ Short lead times
- \_ Small construction



## General Data

Supply	
- Supply voltage	11...27 VDC
Current consumption no load	<= 300 mA
Device design	
- Type	Single-/Multi-Turn
Total resolution	<= 30 Bit
Number of steps per revolution	<= 32768
Number of revolutions	<= 32768
EtherCAT - Interface	
- EtherCAT	IEC 61158-1-6, IEC 61784-2
- Physical Layer	Fast Ethernet, ISO/IEC 8802-3
- Device profile	CoE, CiA DS-406
Transmission rate	
- Specific value	100 MBit/s
Cycle time	62.5...32000 µs
Parameter/Function, changeable	Resolution
	Preset parameter
	Counting direction
Type of parametrization	programmable
Prgramming - Tool	Fieldbus-Device
	TR-Soft: TRWinProg
Maximum Speed, mechanically	<= 12000 1/min

Subject to change.

TR-Electronic GmbH  
 Eglisshalde 6  
 78647 Trossingen  
 Tel. +49 (0) 7425 228-0  
 info@tr-electronic.de  
[www.tr-electronic.de](http://www.tr-electronic.de)

## Absolute-Encoder CEV58 - ETC

Ref.: K-CEV58-ETC-1

18.11.2013

010102005802030201

### General Data continuation

Shaft load, axial/radial	$\leq 10\text{ N}, \leq 20\text{ N}$
Bearing life time	$\geq 3.9\text{E}+10$ revolutions
Bearing life time - Parameter	
- Speed	6000 1/min
- Operating temperature	60 °C
- Shaft load, axial/radial	$\leq 5\text{ N}, \leq 10\text{ N}$
Point of origin, shaft load	at the shaft end
Angular acceleration	$\leq 10\text{E}+4\text{ rad/s}^2$
Moment of inertia, typically	1.3E-6 kg m <sup>2</sup>
Start-up torque, 20 °C	2 Ncm
Mass, typically	0.3 kg

### Environmental conditions

Vibration	
- Specific value	$\leq 100\text{ m/s}^2$
- Sine	50...2000 Hz
Shock	
- Specific value	$\leq 1000\text{ m/s}^2$
- Half sine	11 ms
Immunity to disturbance	DIN EN 61000-6-2
Transient emissions	DIN EN 61000-6-3
Working temperature	
- Standard	0...+60 °C
- Optional	-20...+70 °C;
Storage temperature, dry	-30...+80 °C
Relative humidity	98 %, non condensing
Protection class	
- Standard	IP65

Subject to change.

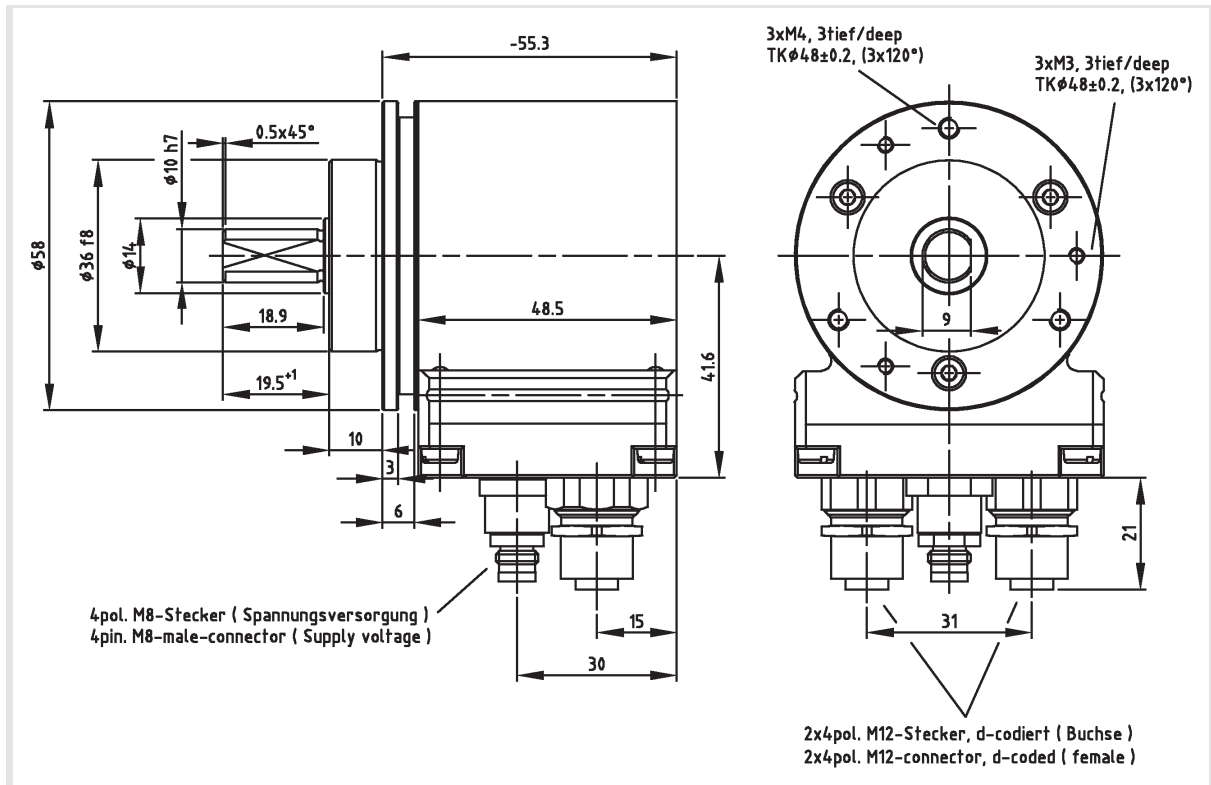
# Absolute-Encoder CEV58 - ETC

Ref.: K-CEV58-ETC-1

18.11.2013

010102005802030201

## Dimensional drawing



## Suggested products

CEV58M\*8192/4096 ETHERCAT 36ZB10FL      CEV58M-00245  
3x 4 pol M12

CEV58S\*8192/1 ETHERCAT 36ZB10FL      CEV58S-00109  
2x 4 pol M12 1x 4 pol M8

Subject to change.