

# Absolute-Encoder ADH75M - PB + FS

Ref.: K-ADH75-PB-1

18.11.2013

010102007505020202

## Advantages

- Ex-Protection Zone 2/22
- Functional safety
- Position feedback signals
- Redundant scanning system
- SIL3, PL<sub>e</sub>



## General Data

Nominal voltage	
- Specific value	24 VDC
- Limit values, min/max	11/27 VDC
Supply	
- SELV/PELV	IEC 60364-4-41
Power consumption	<= 4 W
Device design	
- Type	Multi-Turn
- Redundant scanning system	yes, double
Total resolution	<= 28 Bit
Number of steps per revolution	<= 8192
Number of revolutions	<= 32768
PROFIBUS - Interface	
- PROFIBUS-DP V0	IEC 61158, IEC 61784
- PROFI-safe-Profile	No. 3.192b
Incremental - Interface	
- Equipment	Standard interface
- Signal form	Square wave
- Signal form, alternative	SIN / COS
- Incremental signals, square	K1± K2±
- Incremental signals, SIN/COS	SIN± COS±, 1 V <sub>ss</sub>
- Impulses, square wave	4096...20480, in steps of 4096

Subject to change.

TR-Electronic GmbH  
 Eglisshalde 6  
 78647 Trossingen  
 Tel. +49 (0) 7425 228-0  
 info@tr-electronic.de  
[www.tr-electronic.de](http://www.tr-electronic.de)

## Absolute-Encoder ADH75M - PB + FS

Ref.: K-ADH75-PB-1

18.11.2013

010102007505020202

### General Data continuation

- Impulses, SIN/COS	4096 □
- Output driver, TTL	RS-422, 5 VDC
- Output driver, HTL	Push-Pull, 11...27 VDC
- Type of parametrization	Factory setting
Transmission rate	
- Specific value	9.6...12000 kbit/s
Cycle time	
- Not safety related	0.5 ms
- Safety related	5 ms
Parameter/Function, changeable	Integration time
	Preset parameter
	Monitoring window
	Counting direction
	Velocity parameter
Type of parametrization	programmable
Prgramming - Tool	Fieldbus-Device
Functional safety	
- Safety principle	Redundance with cross compare
- SIL-Standardization	DIN EN 61508 / DIN EN 62061
- SIL-Level	SIL3 / SIL CL 3
- PL-Standardization	DIN EN ISO 13849
- Performance-Level (PL)	PLe / Kat. 4
- Service life	20 Years
- PFH, High demand	7.88E-10 1/h
- PFDav, T = 20 a	6.71E-5
- MTTFd, high	98 a
- DCavg, hig	98 %
Maximum Speed, mechanically	<= 3000 1/min
Shaft load, axial/radial	Own mass
Bearing life time	>= 3.9E+10 revolutions
Bearing life time - Parameter	
- Speed	1500 1/min
- Operating temperature	60 °C
Angular acceleration	<= 10E+4 rad/s <sup>2</sup>
Start-up torque, 20 °C	6 Ncm
Mass, typically	1 kg

Subject to change.

# Absolute-Encoder ADH75M - PB + FS

Ref.: K-ADH75-PB-1

18.11.2013

010102007505020202

## Environmental conditions

Vibration	
- Specific value	$\leq 100 \text{ m/s}^2$
- Sine	50...2000 Hz
Shock	
- Specific value	$\leq 600 \text{ m/s}^2$
- Half sine	5 ms
Immunity to disturbance	DIN EN 61000-6-2
Transient emissions	DIN EN 61000-6-3
Working temperature	
- Standard	0...+40 °C
Storage temperature, dry	-30...+80 °C
Relative humidity	98 %, non condensing
Protection class	
- Standard	IP64
- Note	observe Ex User manual
Relev. Ex Directive/Standards	
- Directive 94/9/EG (ATEX)	Intended use
- EN 60079-0	General requirements
- DIN EN 60079-14	Installation, erection
- EN 60079-15	Equipment protection "n"
- EN 60079-31	Dust ignition protection "t"
- DIN EN 60529	Degrees of protection, IP code
Ex protection - Data, Gas	
- Device group /-category	II 3G (Gc, Zone 2)
- Ignition protection type	nAc (non-sparking equipment)
- Group	IIC (Hydrogen)
- Temperature, surface	T6 ( $\leq 85 \text{ °C}$ )
- Special conditions	yes (X), observe Ex manual
Ex protection - Data, Dust	
- Device group /-category	II 3D (Dc, Zone 22)
- Ignition protection type	tc (Protection by enclosure)
- Group	IIIC (conductive dust)
- Temperature, surface	T65°C
- Special conditions	yes (X), observe Ex manual

Subject to change.

# Absolute-Encoder ADH75M - PB + FS

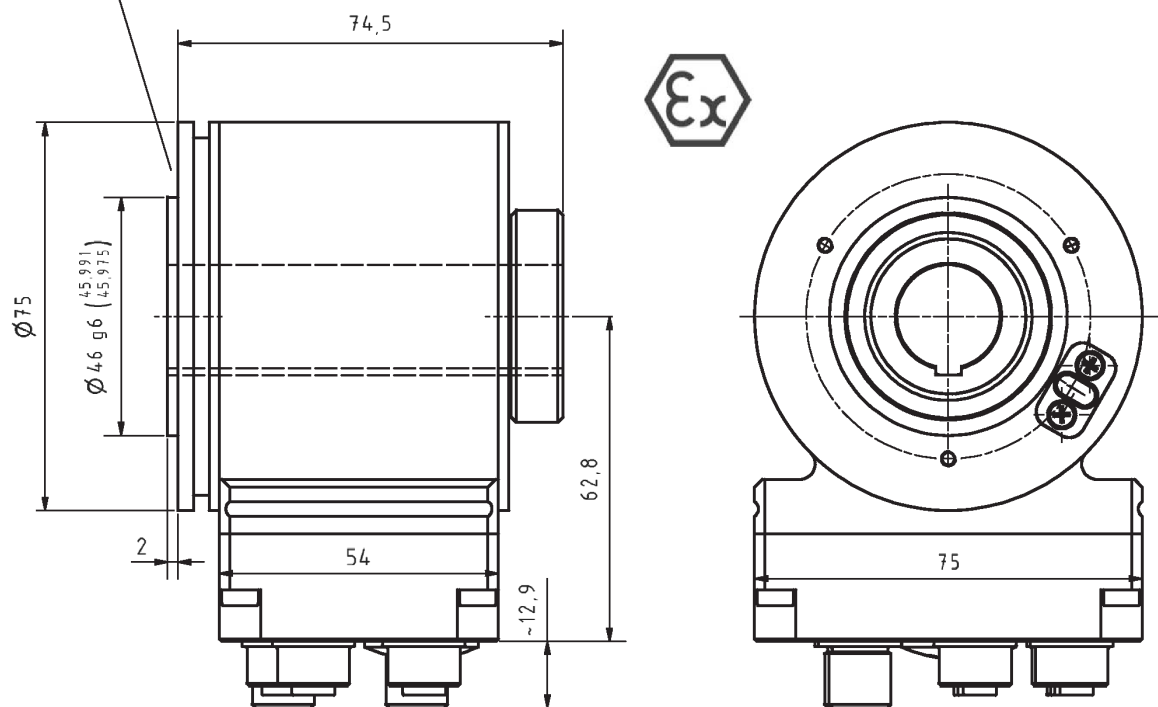
Ref.: K-ADH75-PB-1

18.11.2013

010102007505020202

## Dimensional drawing

Flanschseitige Drehmomentstütze  
nach Vereinbarung  
torque bracket on appointment



Vollständige Abmaße siehe Vorschlagsprodukt /  
Complete dimensions see product offering

Subject to change.