

Absolute-Encoder CEV58 - DN

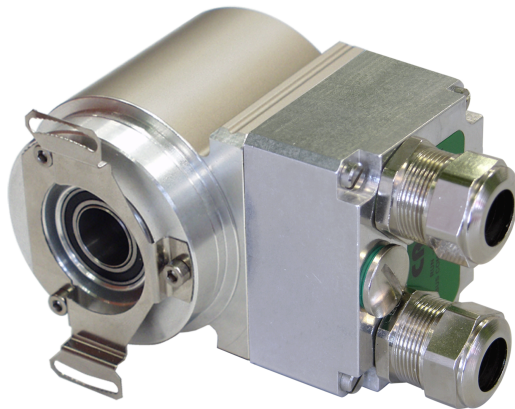
Ref.: K-CE58-DN-1

18.11.2013

010102005802020203

Advantages

- Customer-specific solutions
- Flexible programming
- Further interfaces available
- Modular mechanical design
- Modular product line
- Short lead times



General Data

Supply	
- Supply voltage	11...27 VDC
Current consumption no load	<= 350 mA
Device design	
- Type	Single-/Multi-Turn
Total resolution	<= 31 Bit
Number of steps per revolution	<= 8192
Number of revolutions	<= 256000
Output capacity	<= 25 Bit
CAN DeviceNet - Interface	
- CAN DeviceNet	EN 50325-2
- Bus connection	ISO 11898-1, ISO 11898-2
- CAN Specification 2.0 A	11-Bit Identifier
Transmission rate	
- Specific value	125, 250, 500 kbit/s
- Adjustability	by means of DIP-switches
Parameter/Function, changeable	Resolution
	Output code
	Operating range
	Error outputs
	Preset parameter
	Adjustment - Parameter

Subject to change.

TR-Electronic GmbH
 Eglisshalde 6
 78647 Trossingen
 Tel. +49 (0) 7425 228-0
 info@tr-electronic.de
www.tr-electronic.de

Absolute-Encoder CEV58 - DN

Ref.: K-CE58-DN-1

18.11.2013

010102005802020203

General Data continuation

	Safety range
	Counting direction
Type of parametrization	programmable
Prgramming - Tool	Fieldbus-Device
Maximum Speed, mechanically	≤ 12000 1/min
Shaft load, axial/radial	Own mass
Bearing life time	$\geq 3.9E+10$ revolutions
Bearing life time - Parameter - Speed	6000 1/min
- Operating temperature	60 °C
Angular acceleration	$\leq 10E+4$ rad/s ²
Moment of inertia, typically	2.5E-6 kg m ²
Start-up torque, 20 °C	2 Ncm
Mass, typically	0.3...0.5 kg

Environmental conditions

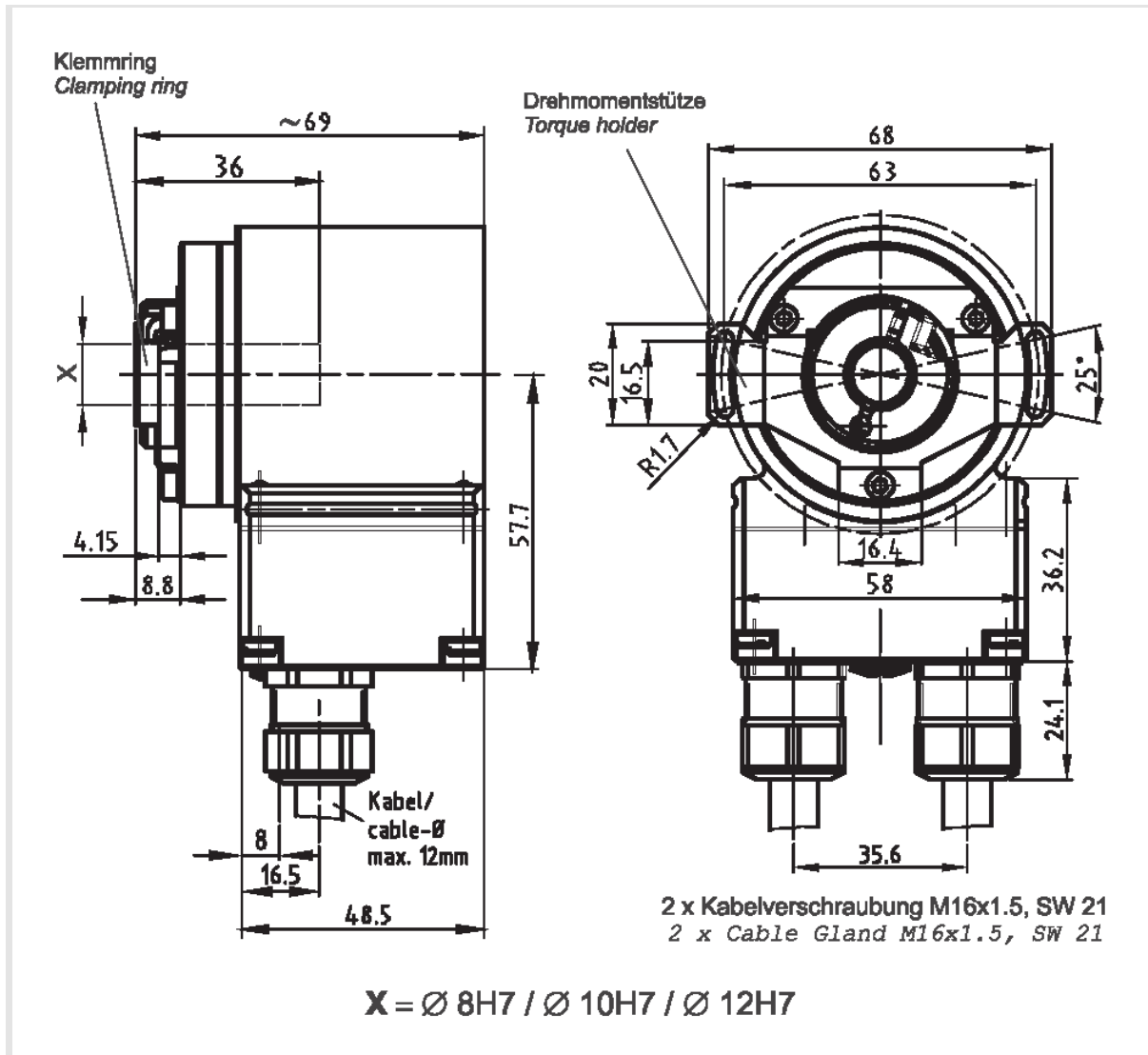
Vibration	
- Specific value	≤ 100 m/s ²
- Sine	50...2000 Hz
Shock	
- Specific value	≤ 1000 m/s ²
- Half sine	11 ms
Immunity to disturbance	DIN EN 61000-6-2
Transient emissions	DIN EN 61000-6-3
Working temperature	
- Standard	0...+60 °C
- Optional	-20...+70 °C;
Storage temperature, dry	-30...+80 °C
Relative humidity	98 %, non condensing
Protection class	
- Standard	IP65

Subject to change.

Absolute-Encoder CEV58 - DN

Ref.: K-CE58-DN-1
 18.11.2013
 010102005802020203

Dimensional drawing



Suggested products

Subject to change.

Absolute-Encoder CEV58 - DN

Ref.: K-CE58-DN-1

18.11.2013

010102005802020203

Suggested products

CE58M*8192/4096 DN 12H7
Feldbushaube

CE58M-00039

Subject to change.