

## DL083

### Flat Diffuse Illuminator



- 4i** Space saving design for highly reflective objects
- 4i** 8" x 8" diffuse illuminator with 1.75" aperture, and M6 nut channel for mounting

#### Ordering Information

Standard Product:  
Shipped Next Day

Standard Product Variation:  
Shipped Within Two Weeks

**DL083-66024-001**

Configured for use with User  
supplied 24v power source

**Effective Working Range:**  
75-300mm (3"-12")

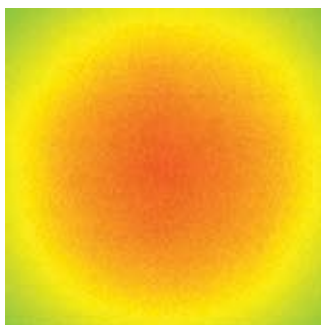
	Spectral wavelength	Optional power Compatibility	Product identifier
DL083	XXX	XX	XXX
	(red) 660 (infra-red) 880	12 24 C3	Assigned by Ai

*Lights purchased with a connector (C3) require the use of the Pulsar 710 due to current requirements. 12v and 24v versions are also available.*

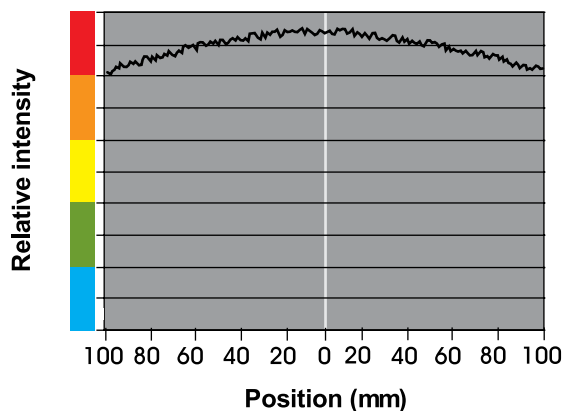
#### Light Consistency Information

(Standard Product: DL083-66024-001 @ 300mm)

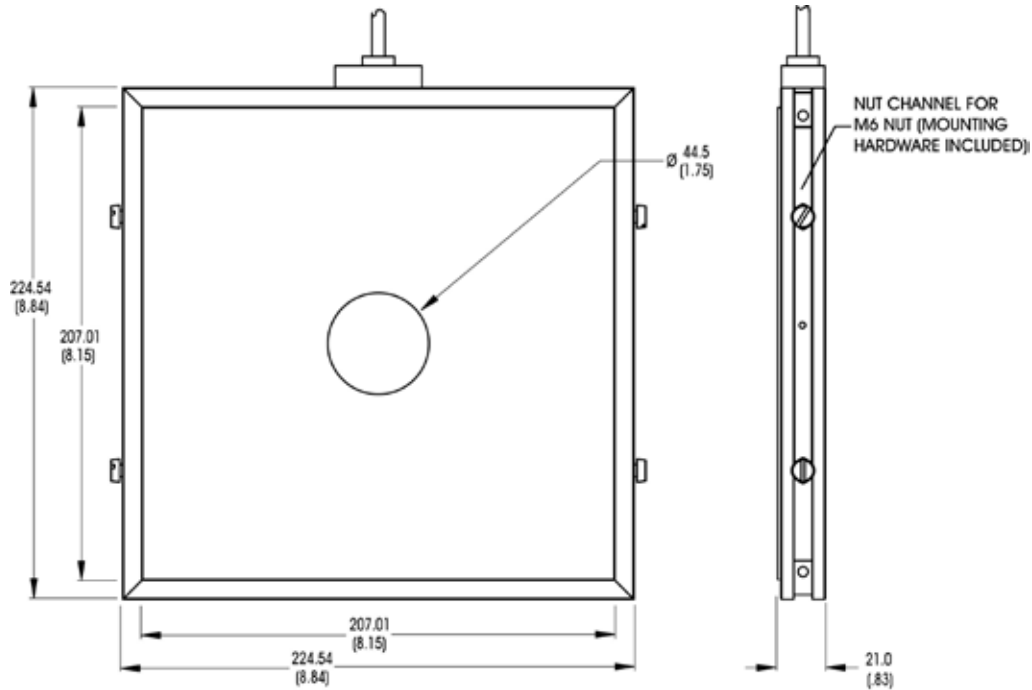
Intensity Distribution



Intensity Cross Section



Dimensional Information



Cable Length: 1.5 Meter (59")

Standard Variation Current Specifications

	(blue)	(green)	(yellow)	(orange)	(red)	(infra-red)	(white)	(RGB)	
@12	N/A	N/A	N/A	N/A	1800	1800	N/A	N/A	mA
@24	N/A	N/A	N/A	N/A	3600	3600	N/A	N/A	mA

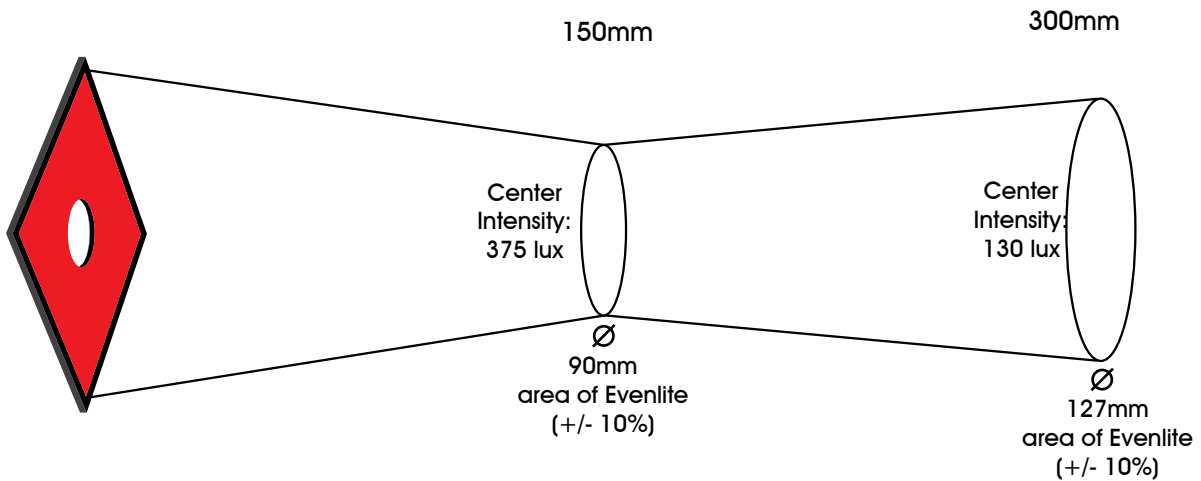
Standard Product Information

Red	Max. Illumination	Irradiance (mW/cm <sup>2</sup> )	Illuminance (Lux)
	Working Distance: 150mm	64.4	375
	Working Distance: 300mm	23.0	130
	Lifetime	50,000 hrs	

General Specifications

Weight:	907.2 g (2 lbs)
Finish:	Black Anodized
Operating Temperature:	0-60°C
Meets Specifications:	CE, RoHS

Additional Information



802.767.3830