

# RL3536

## Dark Field Ring Light



**Ai** Exceptional lighting for inspecting specular surfaces.

**Ai** Produces classic dark field illumination.

### Ordering Information

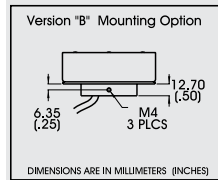
Standard Product:  
Shipped Next Day

Standard Product Variation:  
Shipped Within Two Weeks

#### RL3536

P/N: RL3536-660  
Configured for use with Ai  
Power Supply

Mounting Options	Spectral wavelength	Optional power Compatibility	Optional Light Conditioning
RL3536 X	-	XXX	XX
B	(blue) 470† (green) 520† (yellow) 590 (orange) 625 (red) 660 (infra-red) 880 (white) WHI†	12 24	D (Diffuser) P (Polarizer)

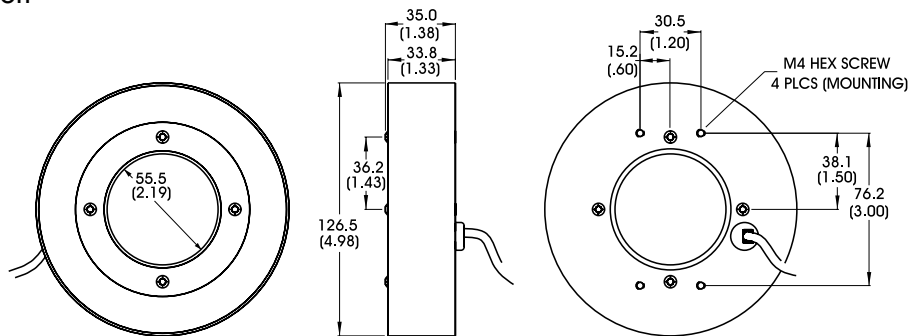


#### Optimal working distance:

76.2mm (3")  
up to 152.4mm (6")

†Not available in 12v

### Dimensional Information



#### Standard Variation Current Specifications

	(blue)	(green)	(yellow)	(orange)	(red)	(infra-red)	(white)	(RGB)	
@12	N/A	N/A	120	120	180	180	N/A	N/A	mA
@24	120	120	120	120	120	120	120	N/A	mA

#### Standard Product Information

Product Lifetime:	50,000 hours
Operating Temperature:	0-60° C