

**COGNEX®**

---

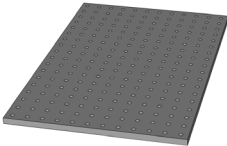
# DataMan™ 100 Verifier

Adjustable Stand Assembly Guide

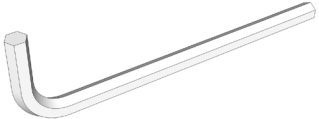
**DATAMAN**  
ID Readers

# Stand Components

# Required Tools



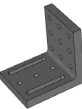
Base plate



3/16" Allen wrench



Locking quick-adjust rack



L-bracket

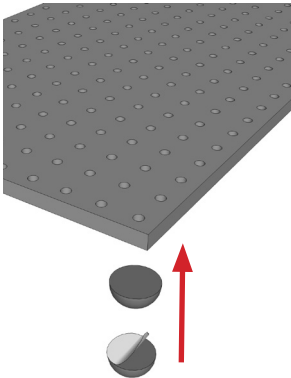
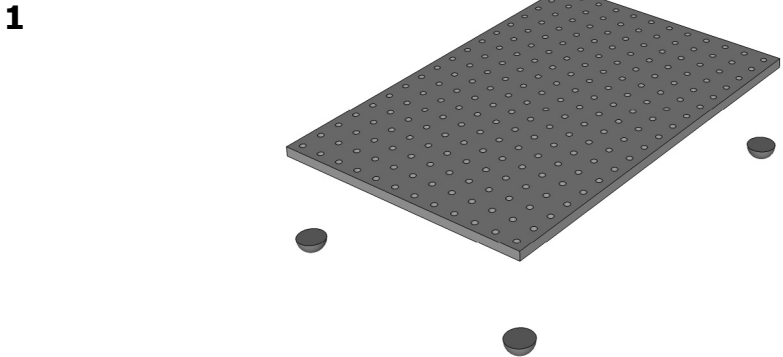


Vibration-isolating foot (4)



3/16" socket head cap screw (50)

# Step 1: Attach Feet to Base Plate

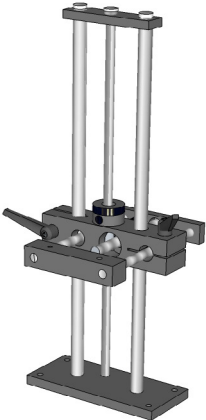


Remove backing and attach feet to base plate.

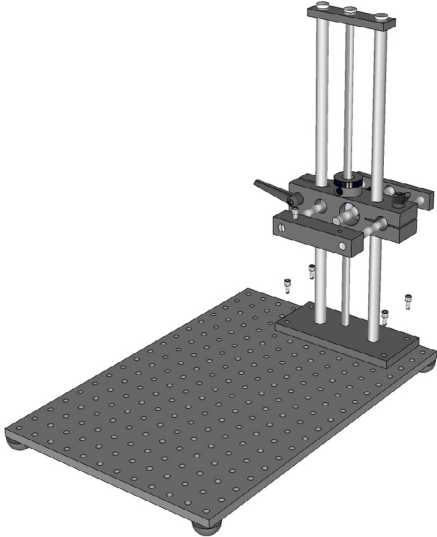


# Step 2: Attach Rack to Base Plate

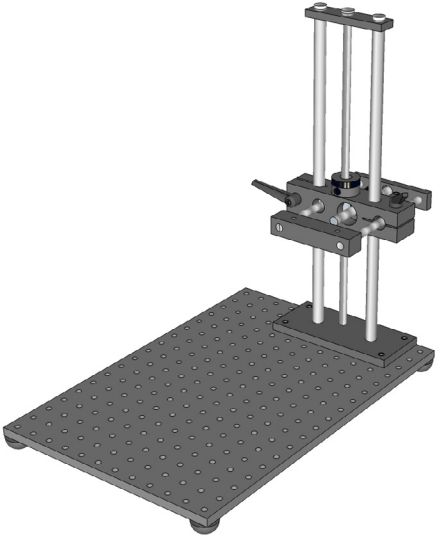
1



2

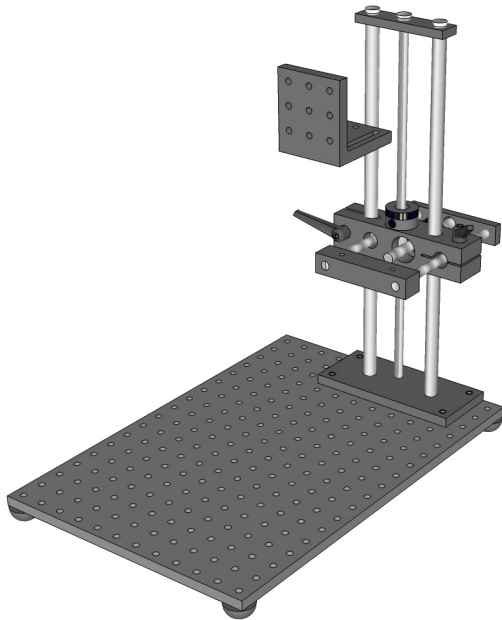


3

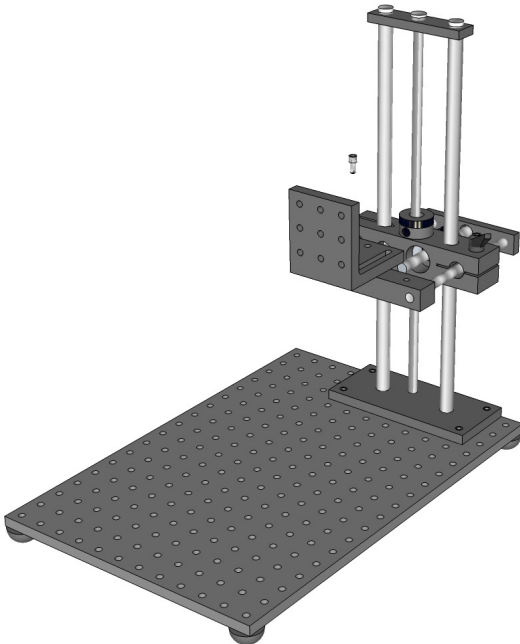


# Step 3: Attach L-Bracket to Rack

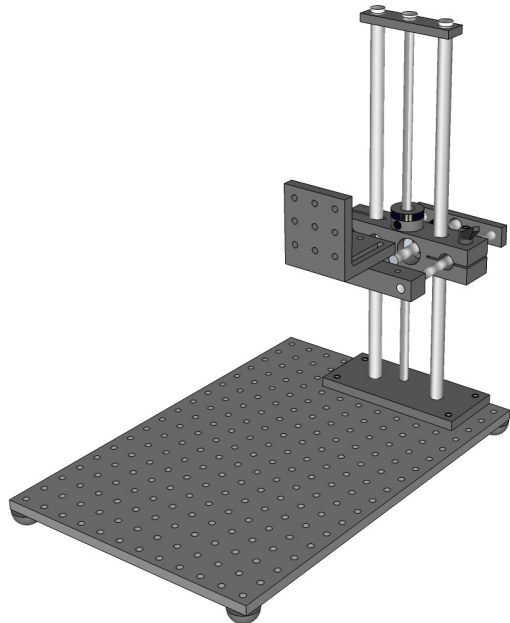
1



2

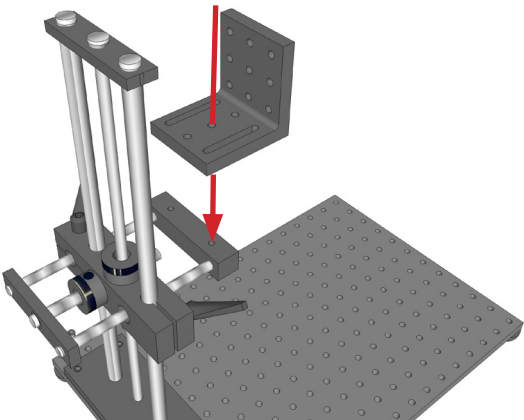


3

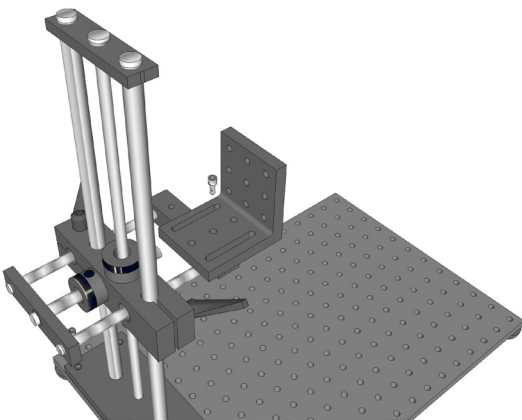


# Step 3: Detail

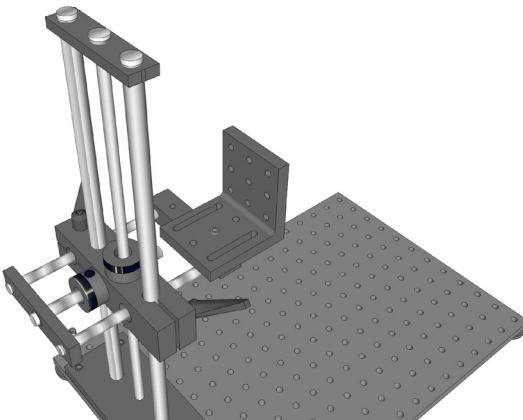
1



2



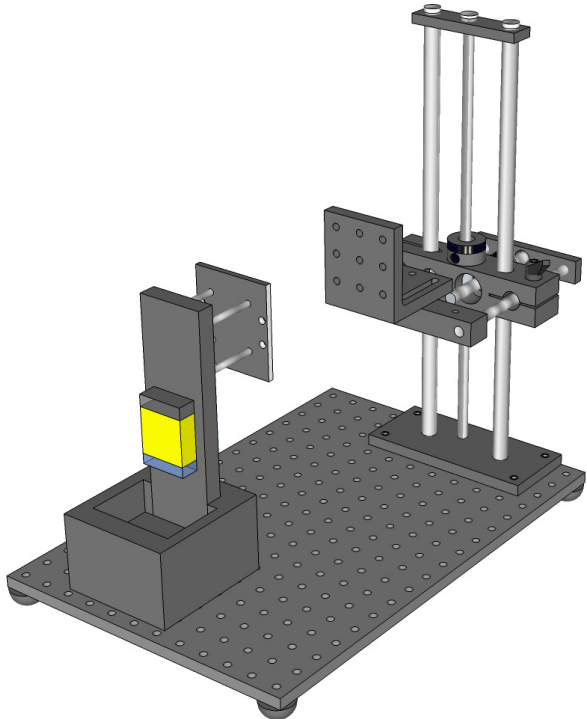
3



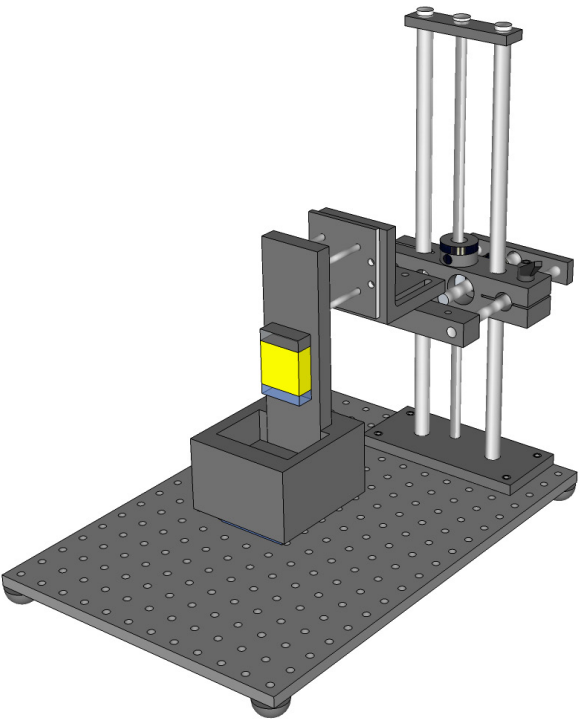
Use one screw to attach L-bracket.  
Use center hole for mounting.

# Step 4: Attach Verifier to Stand

1

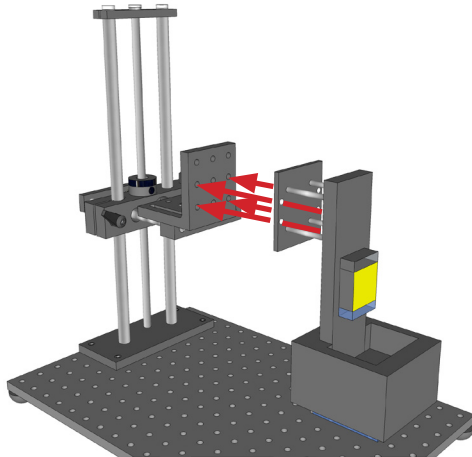


2

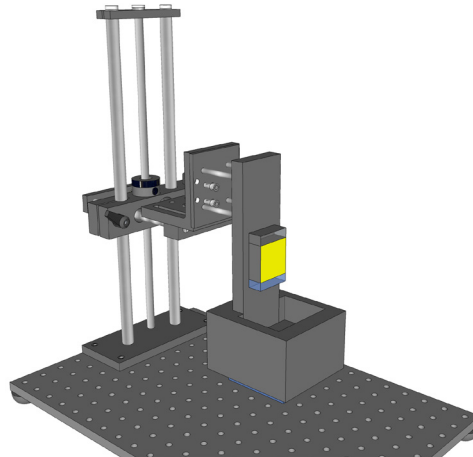


# Step 4: Detail

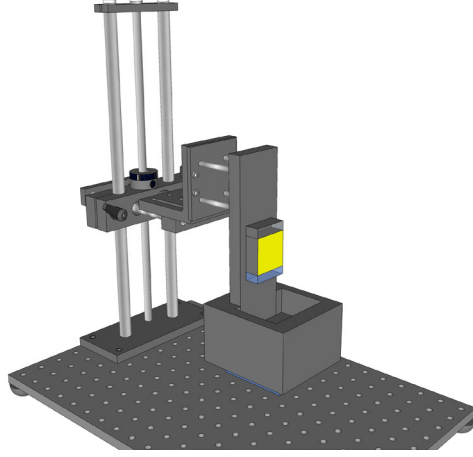
1



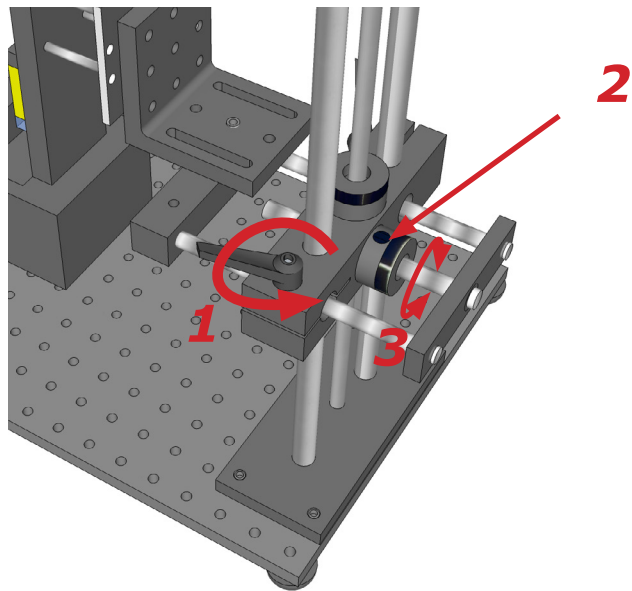
2



3

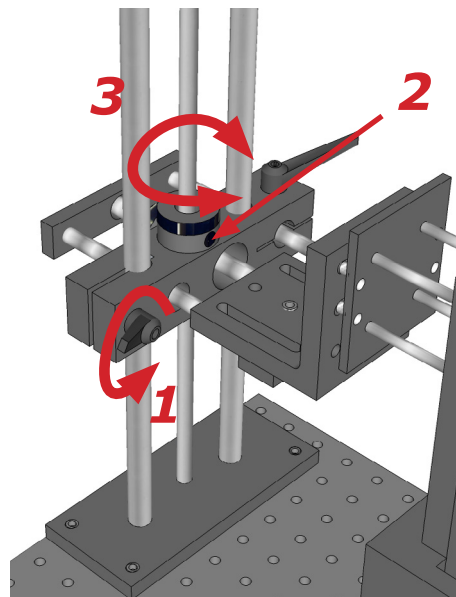


## Adjusting Lateral Position



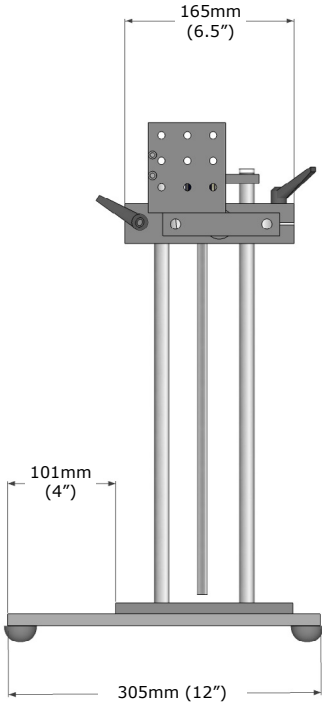
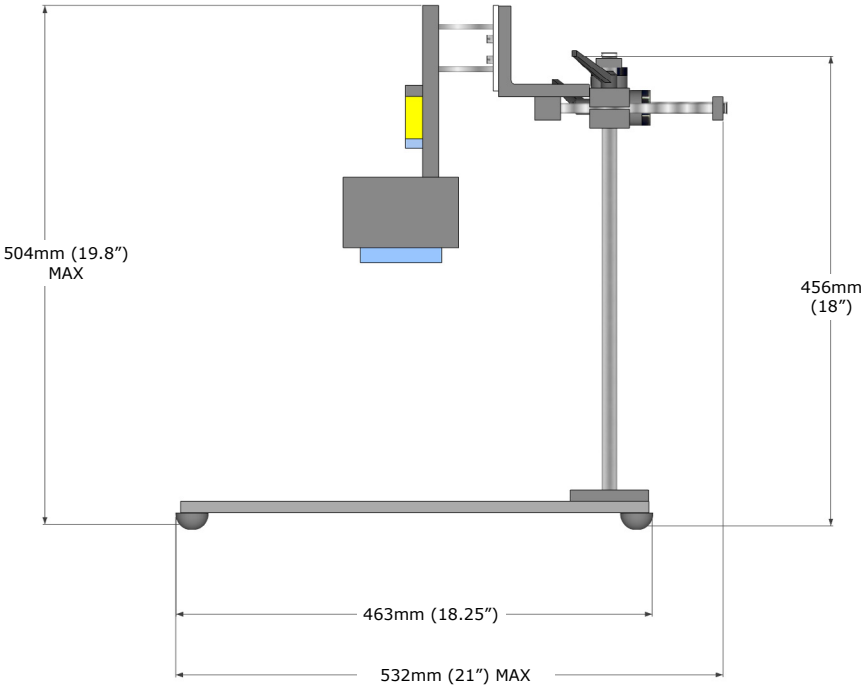
1. Release lock.
2. Press quick-release for coarse adjustments.
3. Turn adjusting knob for fine adjustments.
4. Fix lock.

## Adjusting Vertical Position



1. Release lock.
2. Press quick-release for coarse adjustments.
3. Turn adjusting knob for fine adjustments.
4. Fix lock.

# Dimensions



Copyright © 2011 Cognex Corporation All Rights Reserved. This document may not be copied in whole or in part, nor transferred to any other media or language, without the written permission of Cognex Corporation. The hardware and portions of the software described in this document may be covered by one or more of the U.S. patents listed on the Cognex web site <http://www.cognex.com/patents.asp>. Other U.S. and foreign patents are pending. Cognex, the Cognex logo, and DataMan are trademarks, or registered trademarks, of Cognex Corporation.

