

RL2115

Dark Field Ring Light

- Ai**) Produces classic dark field effects.
- Ai**) Designed for inspecting small objects.



Ordering Information

Standard Product:
Shipped Next Day

Standard Product Variation:
Shipped Within Two Weeks

RL2115

P/N: RL2115-660
Configured for use with Ai
Power Supply

RL2115	Spectral wavelength	Optional power Compatibility	Alternative Connector
-	XXX	XX	XXX
	(UV) 395 [◇]	IS	M12*
	(blue) 470 [†]	C2	
	(green) 520 [†]	C3	
	(yellow) 590	12	
	(orange) 625	24	
	(red) 660		
	(infra-red) 880		
	(white) WHI [†]		

IS = iSU (requires 24v power supply)

C2 = Ai Connector

C5 = Pulsar 320 Connector

* Available with 24v option only

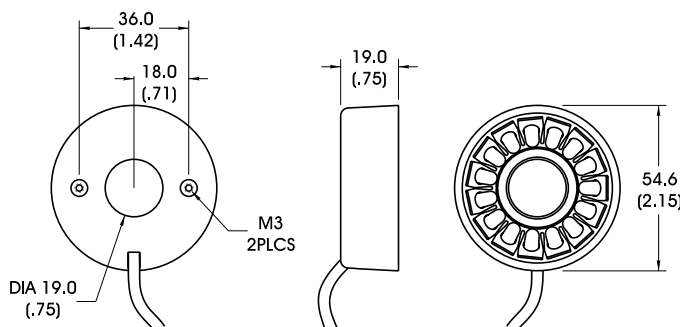
† Not available in 12v

◇ UV LEDs have a considerably shorter half-life than other LEDs (<1000hrs). For this reason Ai recommends these LEDs be used in strobe mode only. For applications requiring continuous 24v power, contact Ai for assistance.

Optimal working distance:

12.7mm (.5")
up to 25.4mm (1")

Dimensional Information



[Click for Installation Models & Drawings](#)

DIMENSIONS ARE IN MILLIMETERS (INCHES)

Standard Variation Current Specifications

	blue	green	yellow	orange	red	infra-red	white	RGB	
@12	N/A	N/A	60	60	90	100	N/A	N/A	mA
@24	60	60	60	60	90	100	60	N/A	mA

Standard Product Information

Product Lifetime: 50,000 hours

Operating Temperature: 0-60° C



inline Strobe Unit

Built-in Strobe



- 4i) Built into the power cable
- 4i) Manual potentiometer adjustable range of 30 to 300 μ Sec output pulse-width
- 4i) Timing Bypass Option



shown with the RL121

The ISU (Inline Strobe Unit) is a small, lightweight strobe source designed to drive LED light assemblies up to a maximum current of 12A (pulse-width dependent). The unit resides outside of the associated light head being placed “inline” with the light head power cable. Maximum light head drive current is set at the factory for a given light source while a user adjustable range of 30 to 300 μ Sec output pulse width is available (via potentiometer or through trigger pulse width). The unit is designed to operate with a DC input voltage of between 18 and 35 volts.

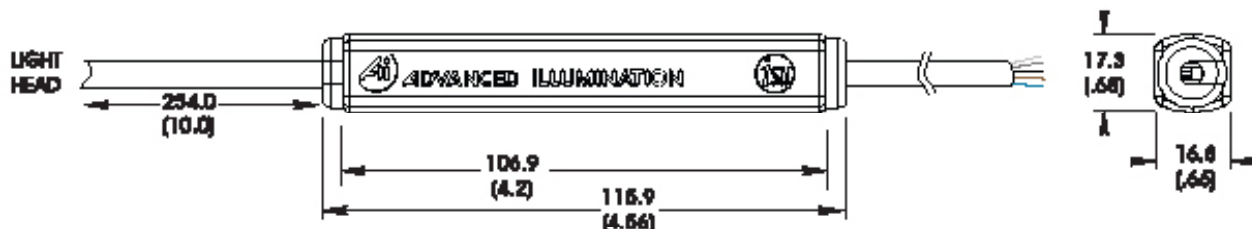
The unit has two triggering modes of operation:

Fixed Trigger Mode: Selectable pulse width range of 30-300 μ Seconds that is accessible via user-adjust potentiometer.

Timing Bypass Trigger Mode: Output Pulse width follows the width of input trigger. User-adjust potentiometer sets the maximum.

An active high and active low input trigger is available. External wire (mode select) must be connected to GND (0V in this case) in order to select timing bypass model.

Dimensional Information



The ISU is not detachable. Standard location is 10" from the light head; if necessary, a different cable length and / or ISU location can be specified when ordering. Standard Cable Length (including ISU) is 1.5M (59").

DIMENSIONS ARE IN MILLIMETERS (INCHES)

ISU SPECIFICATIONS

Parameter	Specification	Notes
Input Voltage Range	+18 to 30VDC	
Strobe output	0 - 12A*	* Pulse-width/Light head dependent
Current Output Adj.	Min to Max Current adj. as established by factory setting	Maximum current set assuming 300µSec operation
Max. Input Current	1.1A	Approx 100ma local
Trigger	Active HI: WHITE Active LO: BLACK	TTL compatible, 30VDC tolerant
Max. Output Voltage	= Vin - 1v	
Mechanical & Environmental		
Power Indicator	Red LED is used to indicate power is being supplied	
Storage Temperature	-40 to +125C	
Operating Temperature	0 to +70C	
Housing Material	High Impact Polycarbonate	
Weight	Approx 1.7 oz	Cable Not Included
Size	Approx 4.55L x 0.67W x 0.70H	Inches

ISU PINOUT

BROWN	VIN +
BLUE	VIN -
WHITE	Active high trigger input
BLACK	Active low trigger input
GRAY	Trigger Mode Select: Connect to 0V to enable timing bypass. Leave floating for fixed trigger mode

ISU TRIGGER MODES

