

# Absolute-Encoder CES58 - SSI

Ref.: K-CES58-SSI-1

18.11.2013

010102005802010203

## Advantages

- \_ Customer-specific solutions
- \_ Flexible programming
- \_ Further interfaces available
- \_ Modular mechanical design
- \_ Modular product line
- \_ Short lead times



## General Data

Supply	
- Supply voltage	11...27 VDC
Current consumption no load	<= 350 mA
Device design	
- Type	Single-/Multi-Turn
Total resolution	<= 33 Bit
Number of steps per revolution	<= 32768
Number of revolutions	<= 256000
SSI - Interface	
- SSI-Clock input	Optocoupler
- SSI-Data output	RS-422, 2-wire
- SSI-Clock frequency	80...1000 kHz
- SSI-Mono time, typically	20 µs
Incremental - Interface	
- Equipment	Optional interface
- Incremental signals, square	K1± K2±
- Impulses, square wave	1024 or 2048
- Output driver, TTL	RS-422, 5 VDC
Parameter/Function, changeable	Resolution
	Output code
	Output format
	Movement status signal

Subject to change.

TR-Electronic GmbH  
 Eglisshalde 6  
 78647 Trossingen  
 Tel. +49 (0) 7425 228-0  
 info@tr-electronic.de  
[www.tr-electronic.de](http://www.tr-electronic.de)

# Absolute-Encoder CES58 - SSI

Ref.: K-CES58-SSI-1  
 18.11.2013  
 010102005802010203

## General Data continuation

	Limit switch
	Error signal
	Preset parameter
	Parity
	Direction signal
	Overspeed
	Counting direction
Type of parametrization	programmable
Prgramming - Tool	TR-Soft: TRWinProg
External inputs	
- F/R	Count direction
- Preset	electronic adjustment
- Logic level	"0" < +2V, "1" = Supply
Maximum Speed, mechanically	<= 12000 1/min
Shaft load, axial/radial	Own mass
Bearing life time	>= 3.9E+10 revolutions
Bearing life time - Parameter	
- Speed	6000 1/min
- Operating temperature	60 °C
Angular acceleration	<= 10E+4 rad/s <sup>2</sup>
Moment of inertia, typically	2.5E-6 kg m <sup>2</sup>
Start-up torque, 20 °C	2 Ncm
Mass, typically	0.3...0.5 kg

## Environmental conditions

Vibration	
- Specific value	<= 100 m/s <sup>2</sup>
- Sine	50...2000 Hz
Shock	
- Specific value	<= 1000 m/s <sup>2</sup>
- Half sine	11 ms
Immunity to disturbance	DIN EN 61000-6-2
Transient emissions	DIN EN 61000-6-3
Working temperature	
- Standard	0...+60 °C
- Optional	-20...+70 °C;

Subject to change.

## Absolute-Encoder CES58 - SSI

Ref.: K-CES58-SSI-1

18.11.2013

010102005802010203

### Environmental conditions continuation

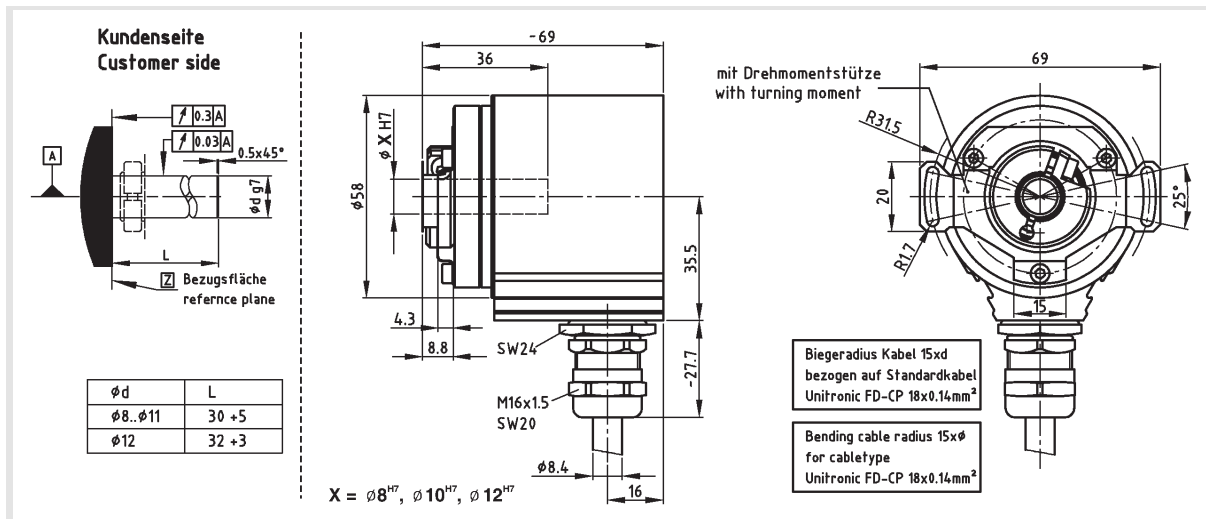
Storage temperature, dry	-30...+80 °C
Relative humidity	98 %, non condensing
Protection class - Standard	IP65

Subject to change.

# Absolute-Encoder CES58 - SSI

Ref.: K-CES58-SSI-1  
 18.11.2013  
 010102005802010203

## Dimensional drawing



## Suggested products

CES58M\*8192/4096 SSI 12H7  
Stecker 12 pol M23

CES58M-00015

CES58S\*8192/1 SSI 10H7  
Stecker 12 pol M23

CES58S-00032

Subject to change.