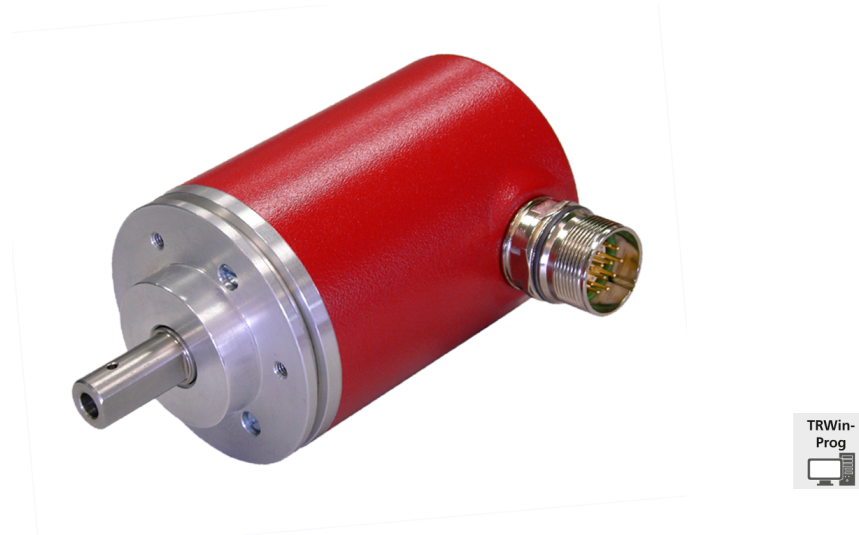


## Absolute-Encoder CEV65 - A / SSI



Ref.: K-CEV65-A-1

18.11.2013

010102006502010201

### Advantages

- \_ Current- or voltage output
- \_ Customer-specific solutions
- \_ Flexible programming
- \_ Modular mechanical design
- \_ Modular product line
- \_ Speed/Position analog output

### General Data

Supply	
- Supply voltage	18...27 VDC
Current consumption no load	<= 180 mA
Device design	
- Type	Single-/Multi-Turn
Total resolution	<= 33 Bit
Number of steps per revolution	<= 32768
Number of revolutions	<= 256000
Output capacity	<= 30 Bit
SSI - Interface	
- Equipment	Optional interface
- SSI-Clock input	Optocoupler
- SSI-Data output	RS-422, 2-wire
- SSI-Clock frequency	80...1000 kHz
- SSI-Mono time, typically	20 $\mu$ s
Analog - Interface	
- Equipment	Standard interface
- Voltage/Current	Factory setting
- Resolution	16 Bit D/A converter
- Voltage output	-10...+10 VDC
- Load resistance (U)	>= 0.5 kOhm
- Current output	0...20 mA

Subject to change.

TR-Electronic GmbH  
 Eglisshalde 6  
 78647 Trossingen  
 Tel. +49 (0) 7425 228-0  
 info@tr-electronic.de  
[www.tr-electronic.de](http://www.tr-electronic.de)

## Absolute-Encoder CEV65 - A / SSI

Ref.: K-CEV65-A-1  
18.11.2013  
010102006502010201

### General Data continuation

- Load resistance (I)	<= 500 Ohm
Parameter/Function, changeable	Resolution
	Output code
	Number of data bits
	Analog Voltage/Current
	Preset parameter
Type of parametrization	programmable
Prgramming - Tool	TR-Soft: TRWinProg
External inputs	
- Preset	electronic adjustment
- Latch	Storage of the output data
- Logic level	"0" < +2V, "1" = Supply
Maximum Speed, mechanically	<= 6000 1/min
Shaft load, axial/radial	<= 40 N, <= 60 N
Bearing life time	>= 3.9E+10 revolutions
Bearing life time - Parameter	
- Speed	3000 1/min
- Operating temperature	60 °C
- Shaft load, axial/radial	<= 20 N, <= 30 N
Point of origin, shaft load	at the shaft end
Angular acceleration	<= 10E+4 rad/s <sup>2</sup>
Moment of inertia, typically	2.5E-6 kg m <sup>2</sup>
Start-up torque, 20 °C	2 Ncm
Mass, typically	0.7 kg

### Environmental conditions

Vibration	
- Specific value	<= 100 m/s <sup>2</sup>
- Sine	50...2000 Hz
Shock	
- Specific value	<= 1000 m/s <sup>2</sup>
- Half sine	11 ms
Immunity to disturbance	DIN EN 61000-6-2
Transient emissions	DIN EN 61000-6-3
Working temperature	
- Standard	0...+60 °C

Subject to change.

## Absolute-Encoder CEV65 - A / SSI

Ref.: K-CEV65-A-1  
18.11.2013  
010102006502010201

### Environmental conditions continuation

- Optional	-20...+70 °C;
Storage temperature, dry	-30...+80 °C
Relative humidity	98 %, non condensing
Protection class	
- Standard	IP65

Subject to change.

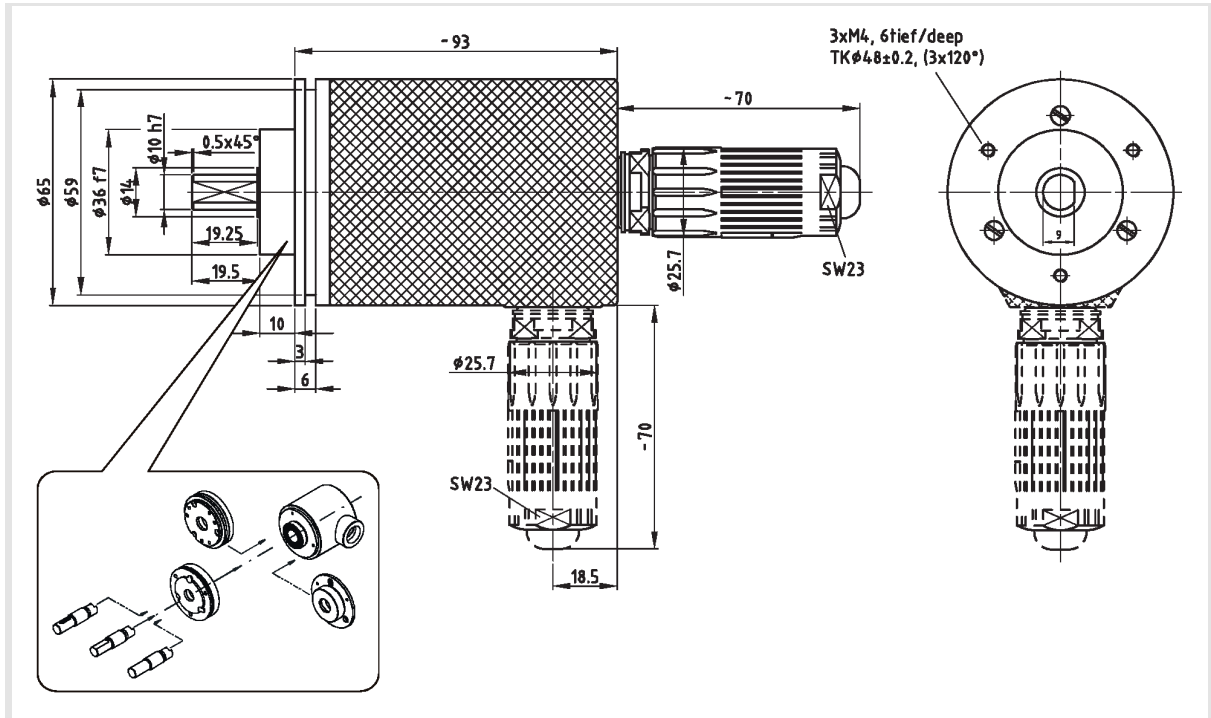
# Absolute-Encoder CEV65 - A / SSI

Ref.: K-CEV65-A-1

18.11.2013

010102006502010201

## Dimensional drawing



Subject to change.