

Absolute-Encoder QE80 - SSI

Ref.: K-QEH80-SSI-1

14.11.2013

010102008102010202

Advantages

- _ Customer-specific solutions
- _ Flexible programming
- _ Further interfaces available
- _ Modular product line
- _ Rugged construction



General Data

Supply	
- Supply voltage	11...27 VDC
Current consumption no load	<= 200 mA
Device design	
- Type	Single-/Multi-Turn
Total resolution	<= 31 Bit
Number of steps per revolution	<= 8192
Number of revolutions	<= 256000
Output capacity	<= 30 Bit
SSI - Interface	
- SSI-Clock input	Optocoupler
- SSI-Data output	RS-422, 2-wire
- SSI-Clock frequency	80...1000 kHz
- SSI-Mono time, typically	20 µs
Parameter/Function, changeable	Resolution
	Output code
	Output format
	Movement status signal
	Limit switch
	Error signal
	Preset parameter

Subject to change.

TR-Electronic GmbH
 Eglisshalde 6
 78647 Trossingen
 Tel. +49 (0) 7425 228-0
 info@tr-electronic.de
www.tr-electronic.de

Absolute-Encoder QEH80 - SSI

Ref.: K-QEH80-SSI-1

14.11.2013

010102008102010202

General Data continuation

	Parity
	Direction signal
	Overspeed
	Counting direction
Type of parametrization	programmable
Prgramming - Tool	TR-Soft: TRWinProg
External inputs	
- F/R	Count direction
- Preset	electronic adjustment
- Logic level	"0" < +2V, "1" = Supply
Maximum Speed, mechanically	<= 3000 1/min
Shaft load, axial/radial	Own mass
Bearing life time	>= 3.9E+10 revolutions
Bearing life time - Parameter	
- Speed	3000 1/min
- Operating temperature	60 °C
Angular acceleration	<= 10E+4 rad/s ²
Moment of inertia, typically	57.2E-6 kg m ²
Mass, typically	1.3 kg
Optional Parallel Outputs	
- Parallel outputs	8 outputs
- Output current	50 mA per output
- short circuit protected	yes
- Output driver, HTL	Push-Pull, 11...27 VDC

Environmental conditions

Vibration	
- Specific value	<= 100 m/s ²
- Sine	50...2000 Hz
Shock	
- Specific value	<= 1000 m/s ²
- Half sine	11 ms
Immunity to disturbance	DIN EN 61000-6-2
Transient emissions	DIN EN 61000-6-3
Working temperature	
- Standard	0...+60 °C
- Optional	-20...+70 °C;

Subject to change.

Absolute-Encoder QEH80 - SSI

Ref.: K-QEH80-SSI-1

14.11.2013

010102008102010202

Environmental conditions continuation

Storage temperature, dry	-30...+120 °C
Relative humidity	98 %, non condensing
Protection class - Standard	IP54

Subject to change.

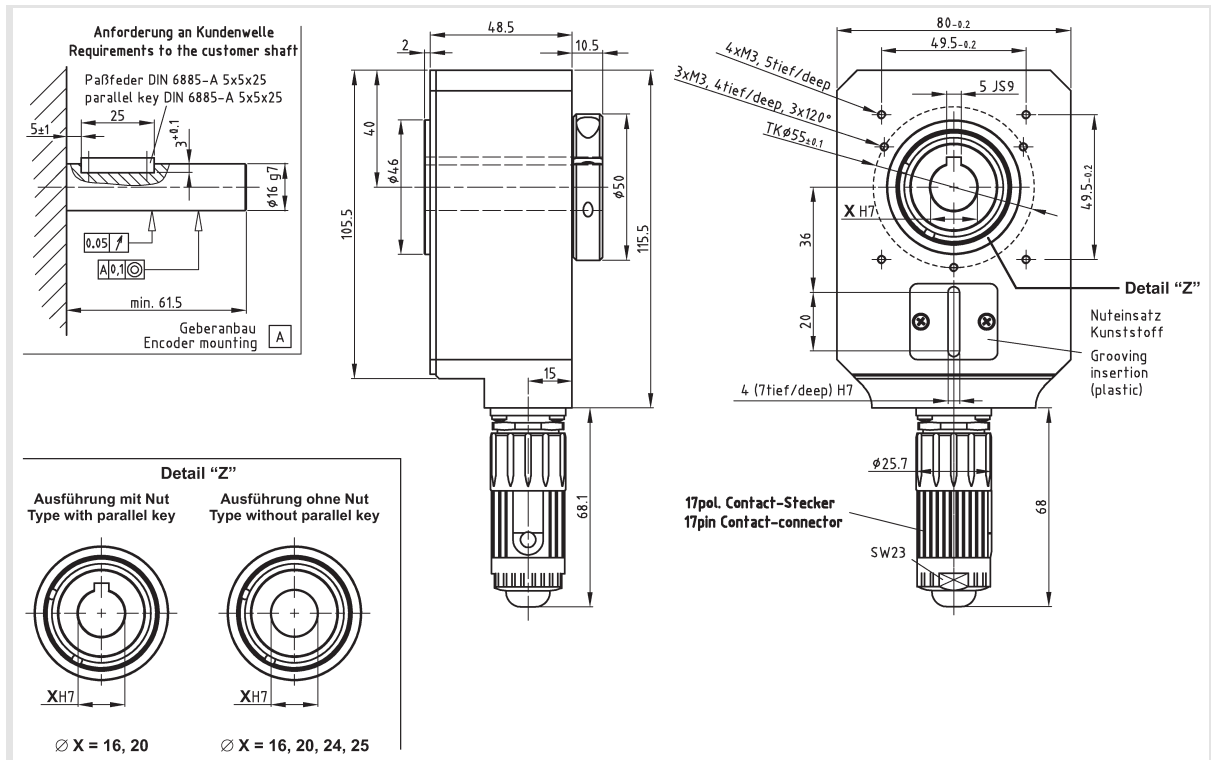
Absolute-Encoder QE80 - SSI

Ref.: K-QEH80-SSI-1

14.11.2013

010102008102010202

Dimensional drawing



Subject to change.