

Metal Case Draw Wire Encoder

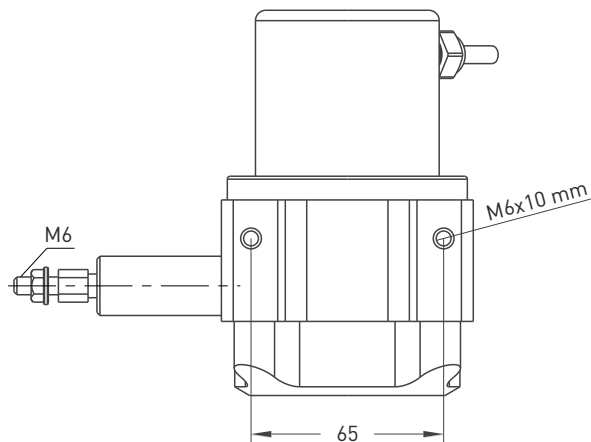
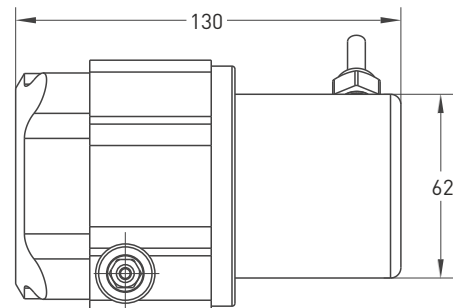
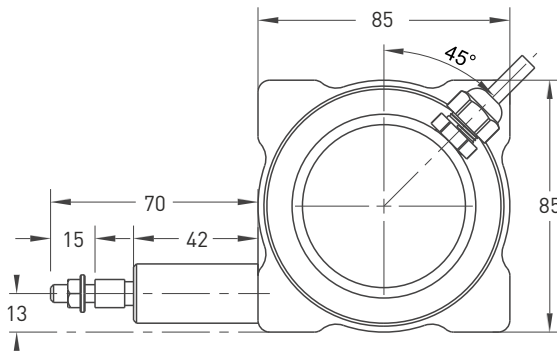
- Measuring strokes 1250 ... 3300 mm
- Incremental 50 µm / 25 µm resolution
- Push-Pull, TTL Linedriver or HTL Linedriver
- Easy mounting
- High protection degree



Technical Specifications

Type of measurement	Optical
Resolution	0,1 mm/ppr 0,2 mm/ppr.
Measurement stroke	1250 ... 3000 mm
Output signal	A,B,Z or A,Ā, B,Ā, Z,Z̄
Output signal type	Push-Pull, TTL Linedriver or HTL Linedriver
Supply voltage	8 - 24 VDC, 5 VDC or 5 - 30 VDC
Power consumption (without load)	< 40 mA (24 VDC)
Electrical connections	2.5 m kablo (standard)
Max. speed	2 m/s
Case material	Aluminium
Weight	< 1300 gr.
IP degree	IP 65
Operating temperature	-20°C ... +80°C
Storage temperature	-30°C ... +90°C

Mechanical Specifications



Push-Pull Cable Output

+V : Brown
0V : White
GND : Shield
Ch A : Yellow
Ch B : Green
Ch Z : Gray

TTL - HTL Linedriver Cable Output

+V : Brown
0V : White
GND : Shield
Ch A : Yellow
Ch B : Green
Ch Z : Gray
Ch A inv. : Blue
Ch B inv. : Red
Ch Z inv. : Pink

Model	Case type	Measurement stroke	Output	Resolution	Output signal	Connector / Cable	Cable output
DWEM	2	2000	LTP	P1000	Z	2M5	R
DWEM	2	1250 mm 2000 mm 2500 mm 3300 mm	LTP : Push-Pull TTL : TTL Linedriver HTL : High Linedriver	P1000: 0,2 mm/puls P2000: 0,1 mm/puls	Z: A,B,Z B: A,B	2M5: 2,5 meter cable 5M : 5 meter cable 8M : 8 meter cable 10M: 10 meter cable	R: Radial