

OPTEX
FA

Displacement Sensor
CD33 SERIES Laser type

CD33-30□□ CD33-120□□
CD33-50□□ CD33-250□□

INSTRUCTION MANUAL

- Confirm if the item meets your needs.
- Before the use, you should first thoroughly read this manual and operate correctly as mentioned.
- You should keep this manual at hand for proper use.

Carefully read and understand the safety precautions before operation. The important information is provided to protect your health and property. Do not apply any other installing or operating procedure other than that.

Meanings of Safety Symbol

WARNING Indicates a possible hazard that may result in death, serious injury, WARNINGS or serious property damage if the product is used without observing the stated instructions.

WARNING Mandatory Requirements

- The light source of this product applies the visible light semiconductor laser. Do not allow the laser beam to enter an eye, either directly or reflected from reflective object. If the laser beam enters an eye, it may cause blindness.
- Do not disassemble or modify the product since it is not designed to automatically stop the laser emission when open. Disassembling or modifying at customer's end it may cause personal injury, fire or electric shock.
- This product is not an explosion proof construction. Do not use the product under flammable, explosive gas or liquid environment.
- Use of controls or adjustments or performance of procedures other

WARNING Safety Precautions

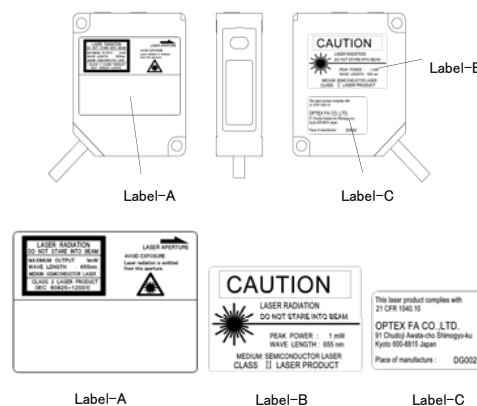
- It is dangerous to wire or attach/remove the connector with the power on. Make sure to turn off the power before operation.
- Installing in the following places may result in malfunction:
 1. A dusty or steamy place
 2. A place generating corrosive gas
 3. A place directly receiving scattering water or oil.
 4. A place suffered from heavy vibration or impact.
- The product is not designed for outdoor use.
- Do not use the sensor in a transient state at power on (Approx. 15min. Warm up period)
- Do not wire with the high voltage cable or the power lines.
- Failure to do this will cause malfunction by induction or damage.
- Do not use the product in water.
- Operate within the rated range.
- Wipe off dirt on the emitting/receiving parts to maintain correct detection. Also, avoid direct impact on the product.

● This product cannot be used as a safety device to protect human body.

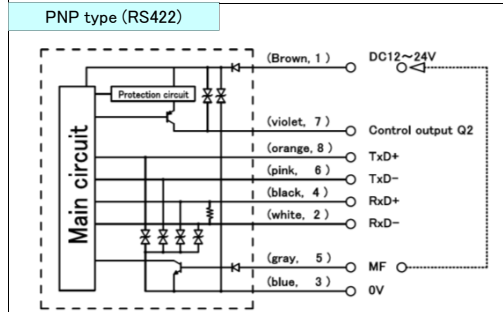
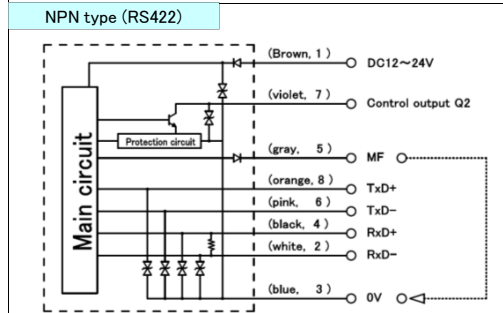
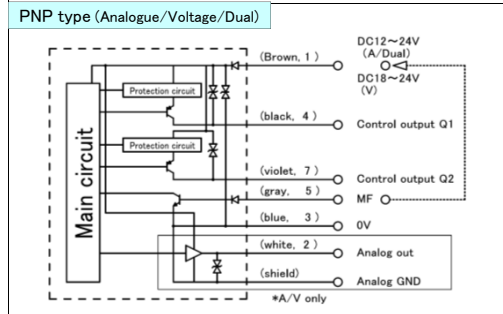
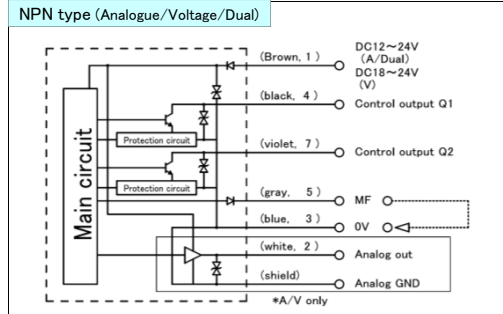
Precautions for using laser

■ Laser label
This product is classified as Class 2 (II) Laser Product by JIS C6802/IEC/FDA Laser Safety Standard.

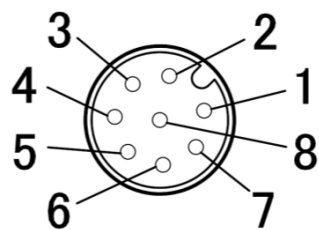
● Regulations in the USA
When exporting laser devices to the USA, the USA laser control, FDA (Food and Drug Administration) is applied. This product has been already reported to CDRH (Center for Devices and Radiological Health). For details, contact our customer service.



Connection diagram



Pins configuration



Caution for connection

Analog ground wire is not equipped for connector type. Therefore connect the analog ground terminal of analog input equipment and the 0V terminal of power supply.

MF (multi functional) input

MF (multi functional) input activates when connected to GND(-) for NPN type, and when connected to (+) for PNP type.

- 1) Connect the lead wires correctly. The analog output wire must not be in contact with any other wire. Do not turn on the power while wiring.
- 2) The blue wire (0V) and shield wire (analog GND) are internally connected. Use the blue wire (0V) for the power supply and use the shield wire (analog GND) for analog output.

Specifications

Specifications of Measuring Range

Type	Cable type	① CD33-30N(P)	CD33-50N(P)	CD33-85N(P)	CD33-120N(P)	CD33-250N(P)
	②	CD33-30N(P/A)	CD33-50N(P/A)	CD33-85N(P/A)	CD33-120N(P/A)	CD33-250N(P/A)
	③	CD33-30N(P/V)	CD33-50N(P/V)	CD33-85N(P/V)	CD33-120N(P/V)	CD33-250N(P/V)
	④	CD33-30N(P)-422	CD33-50N(P)-422	CD33-85N(P)-422	CD33-120N(P)-422	CD33-250N(P)-422
Connector type		① CD33-30CN(P)	CD33-50CN(P)	CD33-85CN(P)	CD33-120CN(P)	CD33-250CN(P)
		② CD33-30CN(P/A)	CD33-50CN(P/A)	CD33-85CN(P/A)	CD33-120CN(P/A)	CD33-250CN(P/A)
		③ CD33-30CN(P/V)	CD33-50CN(P/V)	CD33-85CN(P/V)	CD33-120CN(P/V)	CD33-250CN(P/V)
		④ CD33-30CN(P)-422	CD33-50CN(P)-422	CD33-85CN(P)-422	CD33-120CN(P)-422	CD33-250CN(P)-422
Center		30mm	50mm	85mm	120mm	250mm
Measuring range		±4mm	±10mm	±20mm	±60mm	±150mm
Light source		Red laser Diode (wave length 655nm)				
Peak power		Max. output 1mW				
Laser Class	IEC/JIS	CLASS2				
FDA	CLASS II					
Spot size (approx. volume)	Near	0.15 × 0.15mm	0.6 × 1.2mm	0.9 × 1.5mm	1.2 × 1.8mm	1.5 × 2.5mm
	Middle	0.1 × 0.1mm	0.5 × 1.0mm	0.75 × 1.25mm	1.0 × 1.5mm	1.75 × 3.5mm
	Far	0.15 × 0.15mm	0.4 × 0.9mm	0.6 × 1.0mm	0.5 × 0.8mm	2.0 × 4.5mm
Linearity *2		±0.1% F.S. (F.S.=8mm)	±0.1% F.S. (F.S.=20mm)	±0.1% F.S. (F.S.=40mm)	±0.1% F.S. (F.S.=120mm)	±0.3% F.S. (F.S.=300mm)
Resolution *3		2 μm (Fast: 4 μm)	5 μm (Fast: 8 μm)	10 μm (Fast: 15 μm)	30 μm (Fast: 45 μm)	75 μm (Fast: 150 μm)
Response time	Fast	averaging: 1 time				5ms max.
	Standard	averaging: 16 times				12.5ms max.
	High resolution	averaging: 64 times				36.5ms max.
Sampling period		500, 750(250mm type) / 1000 / 1500 / 2000 μs				
Temperature Drift		±0.08% F.S./°C				
Indicators	Distance Indicator	Bar graph LED				
	Output Indicator	ON status : Orange				
MF (multi functional) input		Laser off, Remote teaching, Sample Hold (choose one function) Response time : 3ms max.				
Circuit protection		Reverse polarity, Over current				
Protection Category		IP67				
Operating temp./humidity		-10~+45°C/35~85%RH (No condensation or freezing)				
Storage temp./humidity		-20~+60°C/35~95%RH (No condensation or freezing)				
Ambient Light		Sun light: 10,000 lx max. / Incandescent lamp: 3,000 lx max.				
Vibration resistance		10 to 55 Hz, Double amplitude 1.5 mm, 2 h for XYZ axes				
Shock resistance		50G (500m/s ²)				
Warm up period		15min max.				
Material		PBT (Case) PMMA (Front window)				
Weight	Cable type	Approx. 65g (without cable)				
	Connector type	Approx. 70g				

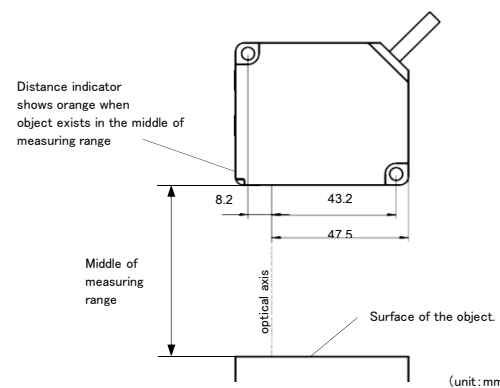
Specifications of Output

Type	Dual output	Analogue	Voltage	RS422
	CD33- ①	CD33- ②	CD33- ③	CD33- ④
Supply Voltage	DC12~24V (+10%/-5%)		DC18~24V (+10%/-5%)	DC12~24V (+10%/-5%)
Current Consumption	55mA max. (DC24V)	85mA max. (DC24V) including analog output value	55mA max. (DC24V)	
Outputs	Control output Q1	NPN/PNP Open collector 100mA max. /30V DC (Residual voltage 1.8 V max.)		-
	Control output Q2	NPN/PNP Open collector 100mA max. /30V DC (Residual voltage 1.8 V max.)		
	Analog output	-	4~20mA	0~10V
Interface	-			
Connection	Cable type *4	φ 5 5core 2m cable(PVC) AWG24	φ 5 6core 2m cable(PVC) AWG24	φ 5 8core 2m cable(PVC) AWG24
	Connector type	M12 8pin		

*1 Defined with center strength 1/e²(13.5%). There may be leak light other than the specified spot size. The sensor may be damaged when there is a highly reflective object around the targets.
*2 Averaging: 64(High resolution). Sampling period:500 μs. Object: white ceramic.
*3 Middle of measuring range. Object: white ceramic.
*4 Diameter of min bend cable is 40mm.

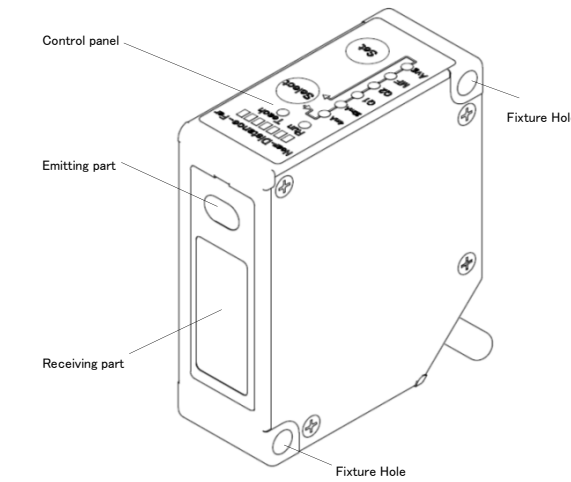
Installation

Install the sensor and adjust the light spot onto the measuring point so that the distance indicator turns ON (orange) at the middle of measuring range.
Use M4 screw (tightening torque need to be under 0.8N·m).

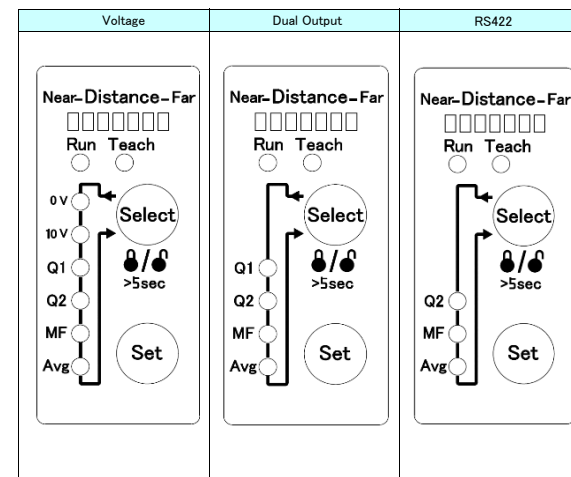
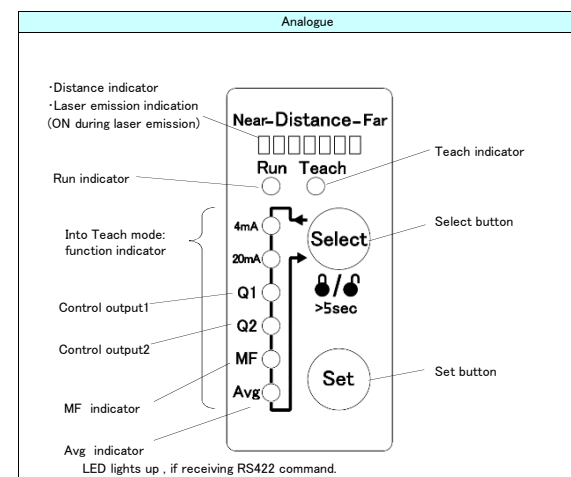


- Adjust the sensor position so that it is set parallel to the surface of object obtain reliable measurement (see above).
- If there is any foreign object around the spot that is glossier than the measuring object, it may cause incorrect measurement.

Functions of components



Control panel



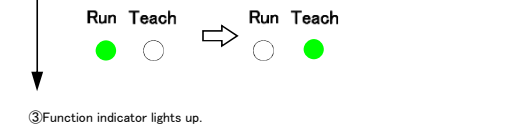
Distance indicator

Distance indicator has seven LEDs. LED indicate distance by moving at near to far side.

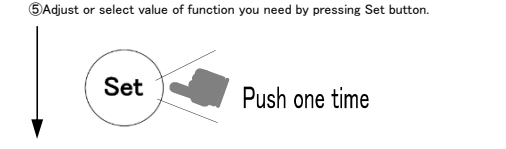
Status of LED	Status of measurement	Indicator
Near-Distance-Far [LED diagram]	Out of range. *This LED indicate when due to too high/low reflection	Both side of red LED lights up
[LED diagram]	Object is near of range.	Near side of red LED lights up
[LED diagram]	Object is far of range.	Far side of red LED lights up
[LED diagram]	Object is some far of range.	Far side of green LED lights up
[LED diagram]	Object is middle of range.	Middle of orange LED lights up

Select Function

- Teach mode
- ① Press the Select button more than 5 seconds.



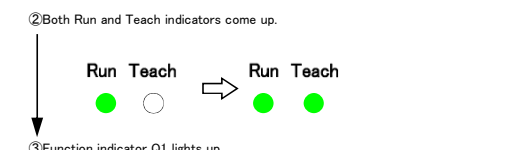
- ④ Select function by pressing Select button.
- ⑤ Adjust or select value of function you need by pressing Set button.



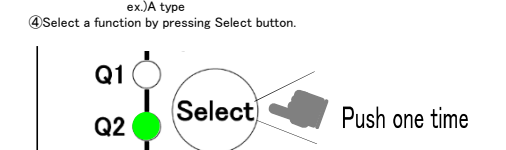
- ⑥ Then return to RUN by pressing by pressing Select button continuously 5 seconds.

Special Setting mode

- ① Press simultaneously both the Select button and Set button for 5 seconds.



- ③ Function indicator Q1 lights up.
*Q2 lights up when it's RS422 type.



- ⑤ Adjust or select the function by pressing Set button.
- ⑥ Then return to RUN by pressing by pressing Select button and Set button continuously 5 seconds.

Reset the presets

Turn on the power by pressing Select button and Set button at the same time and keeping them pushed continuously 5 seconds. Then make sure if all the indicator blinks 3 times to confirm cancel of all presets.

Functions

Functions	Functions indicated	Details	Settings and Adjustments	Factory Setting
Span		Possible to coordinate analog output 4-20mA (0-10V) at an arbitrary position in the rated range of measurement. 	<ol style="list-style-type: none"> Push the Select button more than five seconds to get in Teach mode. Push the Select button and let 4mA (0V) indication turn on. Set up the object at the first point that you want to span, and push Set button. 4mA (0V) indication flashes one time. In the case of adjustment failure, the indication flashes for five seconds. Try again getting back to ② of above. Push the Select button and let 20mA (10V) indication turn on Set up the object at the second point that you want to span, and push the Set button. 20mA (10V) indication flashes one time. In the case of adjustment failure, indication flashes for five seconds. Try again getting back to ⑤ of above. Push the Select button more than five seconds to return to Run mode 	Of the measurement range Near side: 4mA(0V) Far side: 20mA(10V)
Output setting		set the range of Control Output. One point teaching : From the position of the teaching - 0.15%(FS) to the Near side of the sensing range. Two points teaching : Between the position of the first point teaching +0.15%(FS) and the position of the second point teaching -0.15%(FS). One point reverse teaching: From the position of the teaching +0.15%(FS) to the Far side of the sensing range.	<ol style="list-style-type: none"> One point teaching <ol style="list-style-type: none"> Push the Select button more than five seconds to enter Teach mode. Push the Select button and let Q1(Q2) indication turn on. Set the object in the position that you want to measure and push the Set button Q1(Q2) indication flashes one time. In the case of adjustment failure, indication flashes for five seconds. Try again getting back to ② of above. Push the Select button more than five seconds to return to Run mode. Two points teaching <ol style="list-style-type: none"> Push the Select button more than five seconds to enter Teach mode. Push the Select button and let Q1(Q2) indication turn on Set up the object at the first point of the range that you want to measure and push the Set button Q1(Q2) indication flashes one time. In the case of adjustment failure, the indication flashes for five seconds. Try again getting back to ② of above. Set up the object to the second point you want to measure, and push the Set button. Q1(Q2) indication flashes two times. In the case of the adjustment failure that the indication flashes for five seconds. Try again getting back to ② of above. Push the Select button more than five seconds to return to Run mode. One point Reverse teaching <ol style="list-style-type: none"> Push the Select button more than five seconds to enter Teach mode. Push the Select button and let Q1(Q2) indication turn on Set the object in the position that you want to measure and push the Set button more than five seconds. Q1(Q2) indication flashes one time. In the case of adjustment failure, the indication flashes five seconds. Try again getting back to ② of above. Push the Select button more than five seconds to return to Run mode. 	The output in the measurement range & Self-diagnosis *1
External input		Select the function of the external input. Blink Once : Laser OFF Blink twice : Remote teaching Blink three times : Sample Hold	<ol style="list-style-type: none"> Push the Select button more than five seconds to enter Teach mode. Push the Select button and let MF indication turn on. Choose the function you need by pushing Set button. Push the Select button more than five seconds to return to Run mode. 	Laser OFF
		*Possible to choose One Shot Trigger by Special setting mode.		
Averaging		Average count setting Blink Once : Fast (averaging 1 time) Blink twice : Standard (averaging 16 times) Blink three times : High Res. (averaging 64 times)	<ol style="list-style-type: none"> Push the Select button more than five seconds to enter Teach mode. Push the Select button and let Avg. indication turn on. Choose the function by pushing Set button. Push the Select button more than five seconds to return to Run mode. 	averaging: 16

Functions	Functions indicated	Details	Settings and Adjustments	Initial value
Analog output when reflection is too high/low		Set Analog output when impossible to measure due to too high/low reflection. Blink Once : Analog output is fixed at about 22mA(about 11V). Blink twice : The last value is fixed and maintained.	<ol style="list-style-type: none"> Push the Select and set button at same time for more than five seconds to enter Special setting mode Push the Select button and let Q1 indication turn on. Choose the function by pushing Set button. Push the Select and set button more than five seconds and to return to Run mode. 	Analog output is fixed at about 22mA(about 11V).
One shot trigger		One shot trigger is possible to select through external input. On : One shot trigger Blink Once : Laser OFF Blink twice : Remote teaching Blink three times : Sample Hold	<ol style="list-style-type: none"> Push the Select and set button at same time for more than five seconds to enter Special setting mode Push the Select button and let MF indication turn on. Choose the function by pushing Set button. Push the Select and set button more than five seconds to return to Run mode. 	Laser OFF
Sampling period		Sampling period setting Blink Once : 500 μs Blink twice : 1000 μs Blink three times : 1500 μs On : 2000 μs	<ol style="list-style-type: none"> Push the Select button more than five seconds to enter Teach mode. Push the Select button and let Avg. indication turn on. Choose the function by pushing Set button. Push the Select and set button more than five seconds to return to Run mode. 	500 μs 750 μs(CD33-250)

Remarks

When the Teach mode / special setting mode it returns to RUN if no operation in given for 60 seconds.
 *1 Self-diagnosis output comes at the time of (1) laser stop (2) saturation by mirror-like object or (3) low sensitivity.
 This function does not work when you set the output of Q2. Reset the product when you want to use Self-diagnosis again.

Remote teaching

Remote Teaching is possible through External Input. Input time of Remote Teaching means change of settings.

Input time	Item
70 - 130ms	The first point of span
170 - 230ms	The second point of span
270 - 330ms	Q1 : One point teaching The second point of two points teaching must be completed in one minute with same value as the first point.
370 - 430ms	Q2 : One point Reverse Teaching
470 - 530 ms	Q2 : One point teaching The second point of two points teaching must be completed in one minute with same value as the first point.
570 - 630 ms	Q2 : One Point Reverse Teaching
670 - 5000ms	Offset*
5000ms and more	Offset cancel

*The current measurement value will be the central position of the measured analog value by making offset. (A: 12mA / V: 5V)

Communication

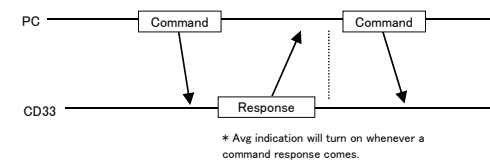
Specification

Communication method	RS422
Synchro system	Asynchronous
Baud rate	9600/19200/38400/76800 bps *
Transmission code	ASCII
Data length	8 bit
Stop bit length	1 bit
Parity check	Nil
Data classification	STX-ETX

* Baud rate : 9600bps at factory set

Communication Procedure

When PC sends a command to CD33 it sends back a response to the PC. In principle one response is given to one command. When sending a command, make sure if you receive the response to the previous command.



Transmission Data Format (Command)

Reading out Setting/Measurement Value/Output Status

STX	COMMAND	ETX
1	2	3

- The code showing the head of transmit data (02H).
- Selects the command to transmit.
- The code showing the completion of transmit data (03H).

Writing the setting

STX	COMMAND	SPACE	COMMAND	ETX
1	2	3	4	5

- The code showing the head of transmit data (02H).
- Selects the command to transmit.
- Shows the separation between Command and Command (20H).
- Set the Setting/Measurement Value/Output Status.

Incoming Data Format (Response)

STX	RESPONSE	ETX
1	2	3

- The code showing the head of incoming data (02H).
- The response data is set to the transmitted command.
- The code showing the completion of incoming data (03H).

The following four responses are for the written commands:
 > (3EH) : Writings completed
 ? (3FH) : Writings rejected due to wrong command, etc.
 (Numerical value) : Measurements or settings

Continuous readout of measurement value
 Readout the measurements continuously at "START_MEASURE" command. The response of this case never has STX, ETX. CR(0DH) is inserted between the measurements.
 (ex.) 85.0000<CR>85.0001<CR>85.0...

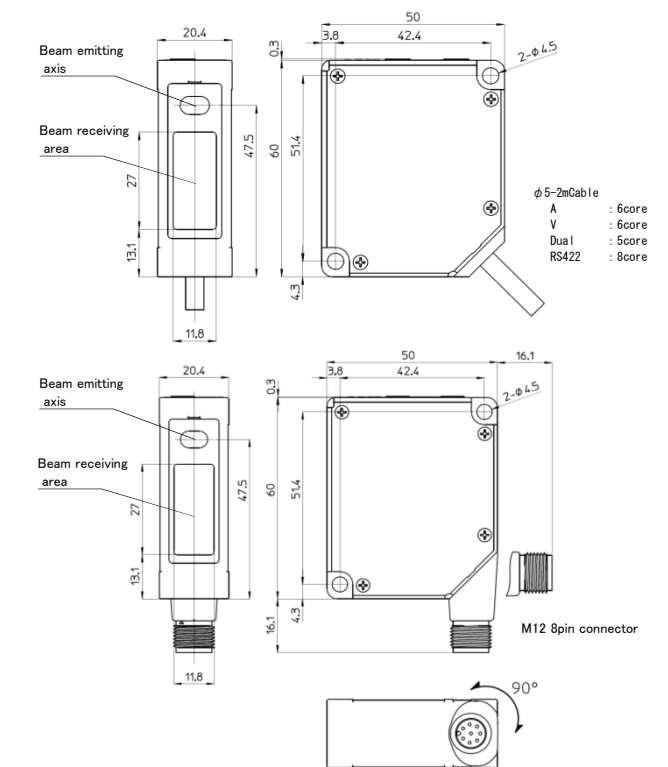
Sure to use the command "STOP_MEASURE" to stop the continuous reading. Any other command will be valid until the stop command is set. Continuous reading will not be activated simultaneously.

Command Table

Command	type*	Initial value	Description	Example of Response
START_MEASURE	CR	-	Start continuous reading of measurements	85.0000<CR>85.0001<CR>85.0...
STOP_MEASURE	-	-	Stop continuous reading of measurements	[STX] > [ETX]
MEASURE	R	-	Read the measurements	[STX] 85.0000 [ETX]
START_MEASURE.S	CR	-	Start continuous reading of measurements and sensitivity *1	85.0000 121<CR>85.0001 121<CR>85.0...
STOP_MEASURE.S	-	-	Stop continuous reading of measurements and sensitivity *1	[STX] > [ETX]
MEASURE.S	R	-	Read the measurements and sensitivity	[STX]85.0000 121[ETX]
START_Q2	CR	-	Start continuous Q2 output	0N<CR>JON<CR>OFF<CR>OFF...
STOP_Q2	-	-	Stop continuous Q2 output	[STX] > [ETX]
Q2	R	-	Read Q2 output	[STX]JON[ETX]
Q2 HI	R	-	Read actual setting of Q2 Hi	[STX]105.0000[ETX]
Q2 LO	R	-	Read actual setting of Q2 Lo	[STX]85.0000[ETX]
Q2 HI(0.60.000)	W	-	Set Q2 Hi for example to 60mm *2	[STX] > [ETX] or [STX]7[ETX]
Q2 LO(1.40.000)	W	-	Set Q2 Lo for example to 40mm *2	[STX] > [ETX] or [STX]7[ETX]
Q2 DEFAULT	R	●	Set Q2 to default (Self-diagnosis output)	[STX] > [ETX]
AVG	R	-	Read setting of the response time	[STX]FAST[ETX]
AVG(FAST)	W	-	Set response time to Fast	[STX] > [ETX]
AVG(MEDIUM)	W	●	Set response time to Standard	[STX] > [ETX]
AVG(SLOW)	W	-	Set response time to High resolution	[STX] > [ETX]
MF	R	-	Read setting of multi functional inputs	[STX]LSR OFF[ETX]
MF(LSR OFF)	W	●	Set to Laser off (default)	[STX] > [ETX]
MF(SH)	W	-	Set to Sample Hold	[STX] > [ETX]
MF(TEACH)	W	-	Set to external Teach	[STX] > [ETX]
MF(OS)	W	-	Set to one shot by trigger or command	[STX] > [ETX]
ALARM	R	-	Read actual setting for Alarm	[STX]CLAMP[ETX]
ALARM(CLAMP)	W	●	Set Alarm to clamp	[STX] > [ETX]
ALARM(HOLD)	W	-	Set Alarm to Hold	[STX] > [ETX]
RESET	W	-	Reset all settings to default settings	[STX] > [ETX]
ON	W	-	Set MF active	[STX] > [ETX]
OFF	-	-	Set MF inactive	[STX] > [ETX]
ON(500)	W	-	Q2: One point teaching The second point of two points of teaching. Complete input of the same command within one minute.	[STX] > [ETX]
ON(600)	W	-	Q2: One Point Reverse teaching	[STX] > [ETX]
ON(700)	W	-	Offset #9	[STX] > [ETX]
ON(5000)	W	-	Offset cancel	[STX] > [ETX]
SAVE	R	-	Save all setting	[STX] > [ETX]
WRITE(1xxxx)	W	-	Write all setting #3	[STX]xxxxxxxxxx[ETX]
SERIAL_NO	R	-	Read Serial number #4	[STX]xxxxxxxxxx[ETX]
USER_DATA	R	-	Read user data	[STX]xxxxxxxxxxxxxxxx[ETX]
USER_DATA(1xxxx)	W	-	Write user data (max. 16 byte ASCII) #5	[STX] > [ETX]
BIT_RATE	R	-	Read actual setting for Bit rate	[STX]9.6K[ETX]
BIT_RATE(9.6)	W	9.6	Set baud rate #6	[STX] > [ETX]
SAMPLE_RATE	R	-	Read actual setting for sampling period	[STX]500US[ETX]
SAMPLE_RATE(500)	W	500	Set sampling period #7	[STX] > [ETX]

Command type = CR: Continuous reading command, R: Reading command, W: writing command
 The space (20H) is shown as () for convenience.
 *1 Sensitivity is automatically adjusted between the value of 0 and 223. (0 as Low limit, 223 as HIGH limit).
 Manual setting of sensitivity is not available.
 *2 Input the distance to set by mm. Possible to input decimal four columns, but the setting distance over the detection performance becomes invalid.
 *3 Write the values in turn as they have been read out in the SAVE.
 *4 Reads out the serial numbers (11 digit) that is printed in the product label on the back.
 *5 Up to 16byte by ASCII code
 *6 Baud rate is 9.6Kbps at factory set. Choose baud rate among (9.6/19.2/38.4/57.6/76.8/115.2/128/256Kbps
 *7 Sampling period is 500 μs at factory set. Choose sampling period among (500/1000/1500/2000 μs)
 (CD33-250 750/1000/1500/2000 μs 750 μs at factory set)
 *8 While Offset is activated, it will output displacement data including minus sign for the data smaller than zero

Dimension



● Specifications and equipment are subject to change without any notice.
 ● For more information, questions and comments regarding products, please contact us below.

Manufactured and sold by :

OPTEX FA CO., LTD.

600-8815 Kyoto, Shimogyo, Awata Chudoji 91, Japan
 TEL. +81-(0)75-325-2920
 FAX. +81-(0)75-325-2921

Website : <http://www.optex-fa.com>