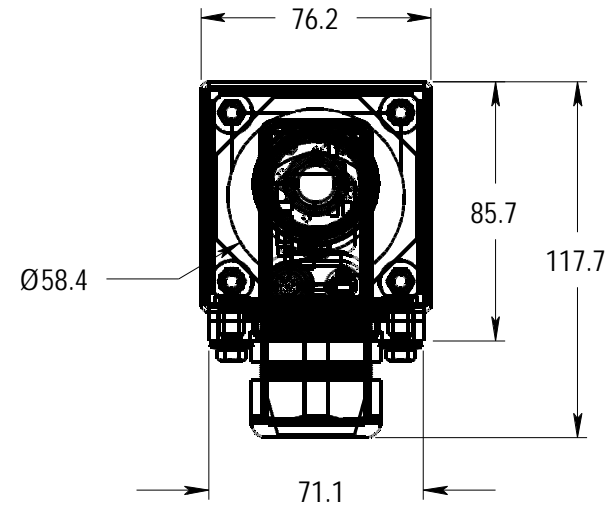
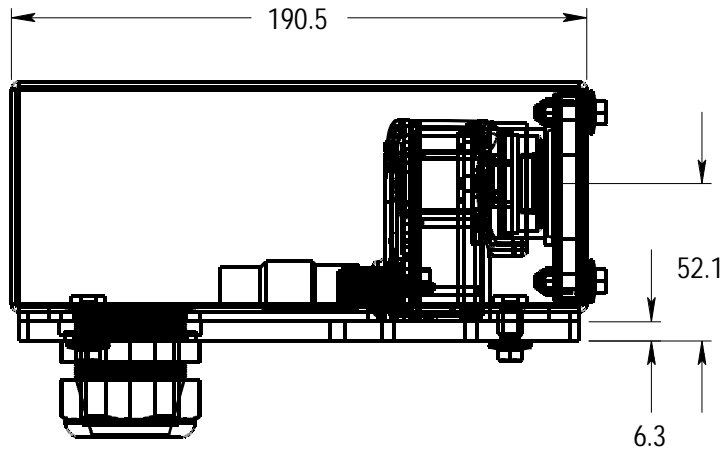
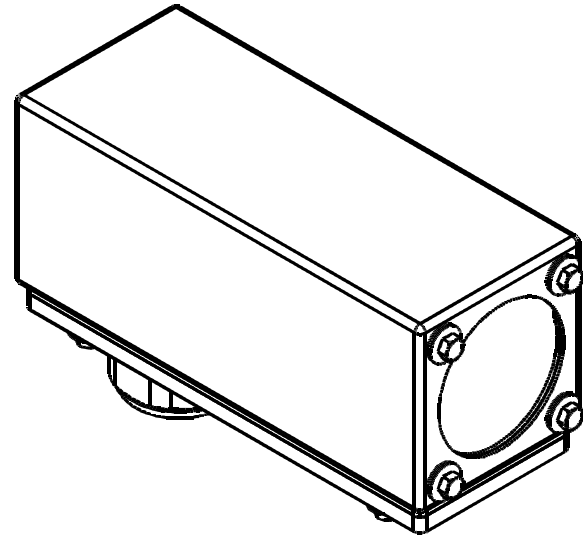


Ø5.2 x2
Sealing washers included
Use Button Head screws



Material: Body-type 304 stainless
Base-hard coat anodized 6061 Al
Gaskets-EPDM

Tols: .000 = +/-0.005" .00 = +/-0.010"
except where noted

1.1	Add Dimension	2008/02/25	ccm	Name	Date	Title		
				Created By	ccm	2008/01/20	30D-AL Assy Dims (Checker 200)	
				Checked By				
				Scale				
				Allison Park Group, Inc. 4091 Route 8, Suite 300 Allison Park, PA 15101 USA Phone +1 (412) 487-8211 Fax +1 (412) 486-3157 www.apgvision.com			Drawing Number	Issue
No	Change	Date	Init				30D-AL	1.1