

# EPSON

SCARA ROBOT

*G3 series*

MANIPULATOR MANUAL

Rev.5

EM111R2120F

MANIPULATOR MANUAL

G3 series Rev.5

SCARA ROBOT

# *G3 series Manipulator Manual*

Rev.5

## FOREWORD

Thank you for purchasing our robot products.

This manual contains the information necessary for the correct use of the manipulator.

Please carefully read this manual and other related manuals before installing the robot system.

Keep this manual handy for easy access at all times.

## WARRANTY

The Manipulator and its optional parts are shipped to our customers only after being subjected to the strictest quality controls, tests, and inspections to certify its compliance with our high performance standards.

Product malfunctions resulting from normal handling or operation will be repaired free of charge during the normal warranty period. (Please ask your Regional Sales Office for warranty period information.)

However, customers will be charged for repairs in the following cases (even if they occur during the warranty period):

1. Damage or malfunction caused by improper use which is not described in the manual, or careless use.
2. Malfunctions caused by customers' unauthorized disassembly.
3. Damage due to improper adjustments or unauthorized repair attempts.
4. Damage caused by natural disasters such as earthquake, flood, etc.

Warnings, Cautions, Usage:

1. If the Manipulator or associated equipment is used outside of the usage conditions and product specifications described in the manuals, this warranty is void.
2. If you do not follow the WARNINGS and CAUTIONS in this manual, we cannot be responsible for any malfunction or accident, even if the result is injury or death.
3. We cannot foresee all possible dangers and consequences. Therefore, this manual cannot warn the user of all possible hazards.

## TRADEMARKS

Microsoft, Windows, and Windows logo are either registered trademarks or trademarks of Microsoft Corporation in the United States and/or other countries. Other brand and product names are trademarks or registered trademarks of the respective holders.

## NOTICE

No part of this manual may be copied or reproduced without authorization.

The contents of this manual are subject to change without notice.

Please notify us if you should find any errors in this manual or if you have any comments regarding its contents.

## INQUIRIES

Contact the following service center for robot repairs, inspections or adjustments.

If service center information is not indicated below, please contact the supplier office for your region.

Please prepare the following items before you contact us.

- Your controller model and its serial number
- Your manipulator model and its serial number
- Software and its version in your robot system
- A description of the problem

## SERVICE CENTER

--

## MANUFACTURER & SUPPLIER

Japan & Others

**SEIKO EPSON CORPORATION**

Suwa Minami Plant  
Factory Automation Systems Dept.  
1010 Fujimi, Fujimi-machi,  
Suwa-gun, Nagano, 399-0295  
JAPAN  
TEL : +81-(0)266-61-1802  
FAX : +81-(0)266-61-1846

## SUPPLIERS

North & South America

**EPSON AMERICA, INC.**

Factory Automation/Robotics  
18300 Central Avenue  
Carson, CA 90746  
USA  
TEL : +1-562-290-5900  
FAX : +1-562-290-5999  
E-MAIL : info@robots.epson.com

Europe

**EPSON DEUTSCHLAND GmbH**

Factory Automation Division  
Otto-Hahn-Str.4  
D-40670 Meerbusch  
Germany  
TEL : +49-(0)-2159-538-1391  
FAX : +49-(0)-2159-538-3170  
E-MAIL : robot.infos@epson.de

China

**EPSON China Co., Ltd**

Factory Automation Division  
7F, Jinbao Building No. 89 Jinbao Street  
Dongcheng District, Beijing,  
China, 100005  
TEL : +86-(0)-10-8522-1199  
FAX : +86-(0)-10-8522-1120

Taiwan

**EPSON Taiwan Technology & Trading Ltd.**

Factory Automation Division  
14F, No.7, Song Ren Road, Taipei 110  
Taiwan, ROC  
TEL : +886-(0)-2-8786-6688  
FAX : +886-(0)-2-8786-6677

## For Customers in the European Union



The crossed out wheeled bin label that can be found on your product indicates that this product and incorporated batteries should not be disposed of via the normal household waste stream. To prevent possible harm to the environment or human health please separate this product and its batteries from other waste streams to ensure that it can be recycled in an environmentally sound manner. For more details on available collection facilities please contact your local government office or the retailer where you purchased this product. Use of the chemical symbols Pb, Cd or Hg indicates if these metals are used in the battery.

This information only applies to customers in the European Union, according to DIRECTIVE 2006/66/EC OF THE EUROPEAN PARLIAMENT AND OF THE COUNCIL OF 6 September 2006 on batteries and accumulators and waste batteries and accumulators and repealing Directive 91/157/EEC and legislation transposing and implementing it into the various national legal systems.

For other countries, please contact your local government to investigate the possibility of recycling your product.

The battery removal/replacement procedure is described in the following manuals:

Controller manual / Manipulator manual (Maintenance section)

## Before Reading This Manual

This section describes what you should know before reading this manual.

### Structure of Control System

The G3 series Manipulators can be used with the following combinations of Controllers and software.

The operating methods and descriptions are different depending on which software you are using. The following icons are put beside appropriate text as necessary. Use the descriptions that pertain to the software you are using.

Controller		Software
Name	Structure	
RC180	Controller	EPSON RC+ 5.0
RC620	Control Unit Drive Unit	EPSON RC+ 6.0

For details on commands, refer to User's Guide or "On-line help".

### Turning ON/OFF Controller

When you see the instruction "Turn ON/OFF the Controller" in this manual, be sure to turn ON/OFF all the hardware components. For the Controller composition, refer to the table above.

### Shape of Motors

The shape of the motors used for the Manipulator that you are using may be different from the shape of the motors described in this manual because of the specifications.

### Setting by Using Software

This manual contains setting procedures by using software. They are marked with the following icon.



### Figures in this Manual

The figures of manipulators indicated in this manual are basically Standard-model Manipulator. Unless special instruction is provided, the specifications of Standard-model and Cleanroom-model are the same.



# TABLE OF CONTENTS

Before Reading This Manual .....	v
----------------------------------	---

## Setup & Operation

<b>1. Safety</b>	<b>3</b>
1.1 Conventions.....	3
1.2 Design and Installation Safety .....	4
1.3 Operation Safety.....	5
1.4 Emergency Stop .....	6
1.5 Emergency Movement Without Drive Power .....	7
1.6 Manipulator Labels .....	8
<b>2. Specifications</b>	<b>10</b>
2.1 Features of G3 series Manipulators.....	10
2.2 Model Number and Model Differences .....	11
2.3 Part Names and Outer Dimensions .....	13
2.3.1 Table Top Mounting .....	13
2.3.2 Multiple Mounting.....	17
2.4 Specifications.....	21
2.5 How to Set the Model .....	25
<b>3. Environments and Installation</b>	<b>26</b>
3.1 Environmental Conditions.....	26
3.2 Base Table.....	27
3.3 Mounting Dimensions .....	28
3.3.1 Table Top Mounting - Straight Arm .....	29
3.3.2 Table Top Mounting - Left-Curved Arm.....	30
3.3.3 Table Top Mounting - Right-Curved Arm .....	31
3.3.4 Multiple Mounting - Straight Arm .....	32
3.3.5 Multiple Mounting - Left-Curved Arm.....	33
3.3.6 Multiple Mounting - Right-Curved Arm .....	34
3.4 Unpacking and Transportation .....	35
3.5 Installation .....	36
3.5.1 Table Top Mounting.....	36
3.5.2 Multiple Mounting.....	37
3.5.3 Cleanroom-model .....	38
3.6 Connecting the Cables .....	39
3.7 User Wires and Pneumatic Tubes .....	40
3.8 Relocation and Storage .....	42
3.8.1 Precautions for Relocation and Storage.....	42
3.8.2 Table Top Mounting.....	43
3.8.3 Multiple Mounting.....	44

<b>4. Setting of End Effectors</b>	<b>45</b>
4.1 Attaching an End Effector.....	45
4.2 Attaching Cameras and Valves .....	46
4.3 Weight and Inertia Settings .....	47
4.3.1 Weight Setting .....	47
4.3.2 Inertia Setting .....	49
4.4 Precautions for Auto Acceleration/Deceleration of Joint #3.....	53
<b>5. Motion Range</b>	<b>54</b>
5.1 Motion Range Setting by Pulse Range (for All Joints).....	54
5.1.1 Max. Pulse Range of Joint #1.....	55
5.1.2 Max. Pulse Range of Joint #2.....	56
5.1.3 Max. Pulse Range of Joint #3.....	57
5.1.4 Max. Pulse Range of Joint #4.....	57
5.2 Motion Range Setting by Mechanical Stops.....	58
5.2.1 Setting the Mechanical Stops of Joints #1 and #2 .....	58
5.2.2 Setting the Mechanical Stop of Joint #3.....	62
5.3 Setting the Cartesian (Rectangular) Range in the XY Coordinate System of the Manipulator (for Joints #1 and #2) .....	64
5.4 Standard Motion Range .....	64

## Maintenance

<b>1. Safety Maintenance</b>	<b>67</b>
<b>2. General Maintenance</b>	<b>68</b>
2.1 Schedule for Maintenance Inspection .....	68
2.2 Inspection Point.....	69
2.2.1 Inspection While the Power is OFF .....	69
2.2.2 Inspection While the Power is ON .....	69
2.3 Greasing .....	70
2.4 Tightening Hexagon Socket Head Cap Bolts .....	71
2.5 Matching Origins .....	71
2.6 Layout of Maintenance Parts.....	72
2.6.1 Table Top Mounting .....	72
2.6.2 Multiple Mounting .....	73
<b>3. Covers</b>	<b>74</b>
3.1 Arm Top Cover .....	75
3.2 Arm Bottom Cover.....	77
3.3 Arm Cap.....	77
3.4 Connector Plate .....	78
3.5 Connector Sub Plate .....	79
3.6 User Plate .....	79
3.7 Heatsink Plate .....	80
3.8 Base Bottom Cover .....	80

<b>4. Cable Unit</b>	<b>81</b>
4.1 Replacing Cable Unit .....	82
4.2 Wiring Diagrams .....	87
4.2.1 Signal Cable .....	87
4.2.2 Power Cable .....	88
4.2.3 User Cable .....	89
<b>5. Arm #1</b>	<b>90</b>
5.1 Replacing Joint #1 Motor .....	91
5.2 Replacing Joint #1 Reduction Gear Unit .....	94
<b>6. Arm #2</b>	<b>97</b>
6.1 Replacing Joint #2 Motor .....	98
6.2 Replacing Joint #2 Reduction Gear Unit .....	102
<b>7. Arm #3</b>	<b>105</b>
7.1 Replacing Joint #3 Motor .....	106
7.2 Replacing the Timing Belt .....	110
7.3 Replacing the Brake .....	114
<b>8. Arm #4</b>	<b>116</b>
8.1 Replacing Joint #4 Motor .....	117
8.2 Replacing the Timing Belt .....	121
<b>9. Replacing Arm #1</b>	<b>129</b>
<b>10. Bellows</b>	<b>136</b>
<b>11. Ball Screw Spline Unit</b>	<b>138</b>
11.1 Greasing the Ball Screw Spline Unit .....	138
11.1.1 Standard-model .....	139
11.1.2 Cleanroom-model / Protected-model .....	140
11.2 Replacing the Ball Screw Spline Unit .....	141
<b>12. Lithium Battery</b>	<b>145</b>
12.1 Replacing the Battery Unit (Lithium Battery) .....	146
12.2 Replacing the Battery Board .....	147
<b>13. LED Lamp</b>	<b>149</b>
<b>14. Calibration</b>	<b>150</b>
14.1 About Calibration .....	150
14.2 Calibration Procedure .....	151
14.3 Accurate Calibration of Joint #2 .....	161
14.4 Calibration Procedure without using Calibration Wizard .....	163

## TABLE OF CONTENTS

---

<b>15. Maintenance Parts List</b>	<b>167</b>
15.1 Common Parts .....	167
15.2 Parts by Environment Model .....	168

# Setup & Operation

This volume contains information for setup and operation of the G3 series Manipulators.

Please read this volume thoroughly before setting up and operating the Manipulators.






# 1. Safety

Installation and transportation of robots and robotic equipment shall be performed by qualified personnel and should conform to all national and local codes. Please read this manual and other related manuals before installing the robot system or before connecting cables.

Keep this manual handy for easy access at all times.

## 1.1 Conventions

Important safety considerations are indicated throughout the manual by the following symbols. Be sure to read the descriptions shown with each symbol.


 WARNING	This symbol indicates that a danger of possible serious injury or death exists if the associated instructions are not followed properly.
 WARNING	This symbol indicates that a danger of possible serious injury or death caused by electric shock exists if the associated instructions are not followed properly.
 CAUTION	This symbol indicates that a danger of possible harm to people or physical damage to equipment and facilities exists if the associated instructions are not followed properly.

## 1.2 Design and Installation Safety

Only trained personnel should design and install the robot system. Trained personnel are defined as those who have taken robot system training and maintenance training classes held by the manufacturer, dealer, or local representative company, or those who understand the manuals thoroughly and have the same knowledge and skill level as those who have completed the training courses.

To ensure safety, a safeguard must be installed for the robot system. For details on the safeguard, refer to the *Installation and Design Precautions* in the *Safety* chapter of the *EPSON RC+ User's Guide*.

The following items are safety precautions for design personnel:




 WARNING	<ul style="list-style-type: none"><li>■ Personnel who design and/or construct the robot system with this product must read the <i>Safety</i> chapter in the <i>EPSON RC+ User's Guide</i> to understand the safety requirements before designing and/or constructing the robot system. Designing and/or constructing the robot system without understanding the safety requirements is extremely hazardous, may result in serious bodily injury and/or severe equipment damage to the robot system, and may cause serious safety problems.</li><li>■ The Manipulator and the Controller must be used within the environmental conditions described in their respective manuals. This product has been designed and manufactured strictly for use in a normal indoor environment. Using the product in an environment that exceeds the specified environmental conditions may not only shorten the life cycle of the product but may also cause serious safety problems.</li><li>■ The robot system must be used within the installation requirements described in the manuals. Using the robot system outside of the installation requirements may not only shorten the life cycle of the product but also cause serious safety problems.</li></ul>
------------------------------------------------------------------------------------------------	-----------------------------------------------------------------------------------------------------------------------------------------------------------------------------------------------------------------------------------------------------------------------------------------------------------------------------------------------------------------------------------------------------------------------------------------------------------------------------------------------------------------------------------------------------------------------------------------------------------------------------------------------------------------------------------------------------------------------------------------------------------------------------------------------------------------------------------------------------------------------------------------------------------------------------------------------------------------------------------------------------------------------------------------------------------------------------------------------------------------------------------------------------------------------------------------------------------------------------------------------------

Further precautions for installation are mentioned in the chapter *Setup & Operation: 3. Environments and Installation*. Please read this chapter carefully to understand safe installation procedures before installing the robots and robotic equipment.



## 1.3 Operation Safety

The following items are safety precautions for qualified Operator personnel:

 <b>WARNING</b>	<ul style="list-style-type: none"> <li>■ Please carefully read the <i>Safety-related Requirements</i> in the <i>Safety</i> chapter of the <i>EPSON RC+ User's Guide</i> before operating the robot system. Operating the robot system without understanding the safety requirements is extremely hazardous and may result in serious bodily injury and/or severe equipment damage to the robot system.</li> <li>■ Do not enter the operating area of the Manipulator while the power to the robot system is turned ON. Entering the operating area with the power ON is extremely hazardous and may cause serious safety problems as the Manipulator may move even if it seems to be stopped.</li> <li>■ Before operating the robot system, make sure that no one is inside the safeguarded area. The robot system can be operated in the mode for teaching even when someone is inside the safeguarded area. The motion of the Manipulator is always in restricted (low speeds and low power) status to secure the safety of an operator. However, operating the robot system while someone is inside the safeguarded area is extremely hazardous and may result in serious safety problems in case that the Manipulator moves unexpectedly.</li> <li>■ Immediately press the Emergency Stop switch whenever the Manipulator moves abnormally while the robot system is operated.</li> </ul>
 <b>WARNING</b>	<ul style="list-style-type: none"> <li>■ To shut off power to the robot system, pull out the power plug from the power source. Be sure to connect the AC power cable to a power receptacle. <b>DO NOT</b> connect it directly to a factory power source.</li> <li>■ Before performing any replacement procedure, turn OFF the Controller and related equipment, and then pull out the power plug from the power source. Performing any replacement procedure with the power ON is extremely hazardous and may result in electric shock and/or malfunction of the robot system.</li> <li>■ Do not insert or pull out the motor connectors while the power to the robot system is turned ON. Inserting or pulling out the motor connectors with the power ON is extremely hazardous and may result in serious bodily injury as the Manipulator may move abnormally, and also may result in electric shock and/or malfunction of the robot system.</li> </ul>
 <b>CAUTION</b>	<ul style="list-style-type: none"> <li>■ Whenever possible, only one person should operate the robot system. If it is necessary to operate the robot system with more than one person, ensure that all people involved communicate with each other as to what they are doing and take all necessary safety precautions.</li> </ul>

## 1.4 Emergency Stop

If the Manipulator moves abnormally during operation, immediately press the Emergency Stop switch. Stops the power supply to the motor, and the arm stops in the shortest distance with the dynamic brake and mechanical brake.

However, avoid pressing the Emergency Stop switch unnecessarily while the Manipulator is running normally. Otherwise, the Manipulator may hit the peripheral equipment since the operating trajectory while the robot system stops is different from that in normal operation.

To place the system in emergency mode during normal operation, press the Emergency Stop switch when the Manipulator is not moving.

Refer to the Controller manual for instructions on how to wire the Emergency Stop switch circuit.

### Free running distance in emergency

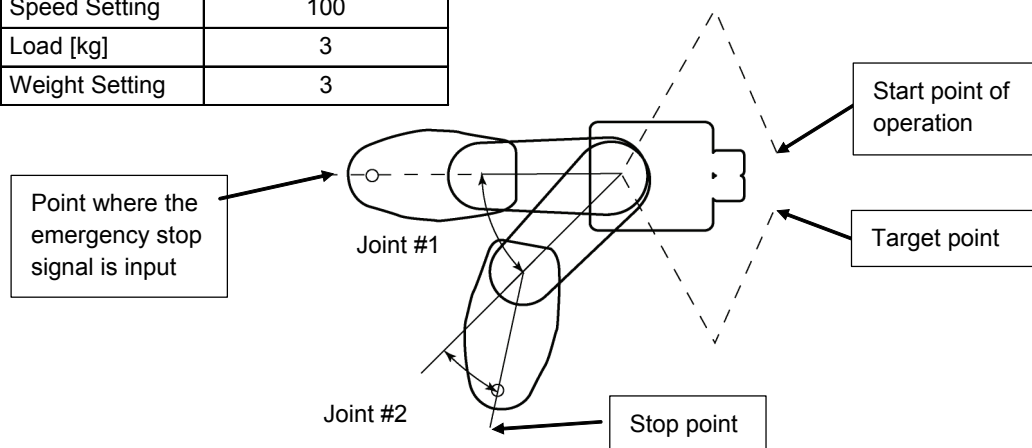
The operating Manipulator cannot stop immediately after the Emergency Stop switch is pressed.

The free running time/angle/distance of the Manipulator are shown below. However, remember that the values vary depending on following conditions.

Weight of the end effector    Weight of work piece    Operating pose  
 Weight    Speed    Accel    etc.

#### Conditions for Measurement

Accel Setting	100
Speed Setting	100
Load [kg]	3
Weight Setting	3



		Controller	RC180 / RC620		
		Manipulator	G3-25***	G3-30***	G3-35***
Free running time	Joint #1 + Joint #2 [sec.]		0.5	0.5	0.5
	Joint #3 [sec.]		0.5	0.5	0.5
Free running angle	Joint #1 [deg.]		35	35	40
	Joint #2 [deg.]		50	50	50
	Joint #1 + Joint #2 [deg.]		85	85	90
Free running distance	Joint #3 G3-***1** [mm]		95	95	95

## 1.5 Emergency Movement Without Drive Power

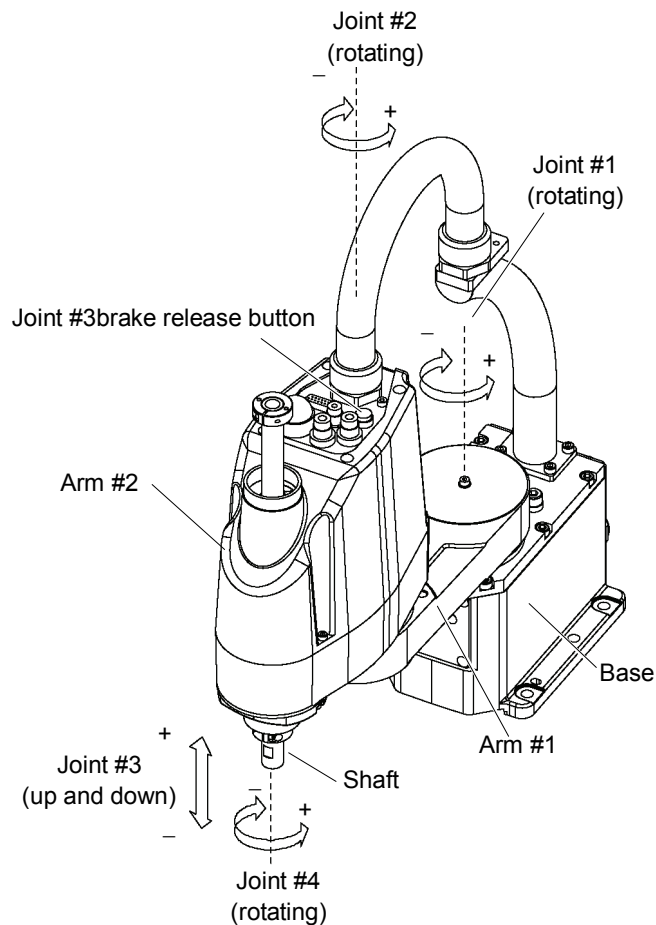
When the system is placed in emergency mode, push the arm or joint of the Manipulator by hand as shown below:

Arm #1 ..... Push the arm by hand.

Arm #2 ..... Push the arm by hand.

Joint #3 ..... The joint cannot be moved up/down by hand until the electromagnetic brake applied to the joint has been released. Move the joint up/down while pressing the brake release button switch.

Joint #4 ..... Rotate the shaft by hand.



The brake release button affects only Joint #3. When the brake release button is pressed in emergency mode, the brake for Joint #3 is released.

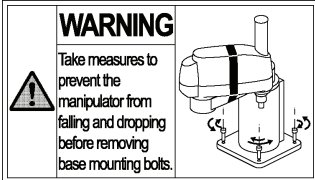
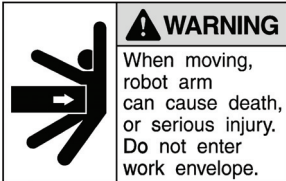





Be careful of the shaft while the brake release button is pressed because the shaft may be lowered by the weight of an end effector.

## 1.6 Manipulator Labels

The following labels are attached near the locations of the Manipulator where specific dangers exist.

Be sure to comply with descriptions and warnings on the labels to operate and maintain the Manipulator safely.

Do not tear, damage, or remove the labels. Use meticulous care when handling those parts or units to which the following labels are attached as well as the nearby areas:

	Labels	NOTE
A		Before loosening the base mounting screws, hold the arm and secure it tightly with a band to prevent hands or fingers from being caught in the Manipulator.
B		
C		Hazardous voltage exists while the Manipulator is ON. To avoid electric shock, do not touch any internal electric parts.
D		<p>You can catch your hand or fingers between the shaft and cover when bringing your hand close to moving parts.</p> <p>* Manipulators with bellows do not have this label for no danger of your hand or fingers being caught.</p>
E		<p>HOT</p> <p>Be careful not to burn yourself.</p>
F		<p>Only authorized personnel should perform sling work and operate a crane and a forklift.</p> <p>When these operations are performed by unauthorized personnel, it is extremely hazardous and may result in serious bodily injury and/or severe equipment damage to the robot system.</p>
G		Be careful of the hand falling while the brake release button is being pressed.

H	<p><b>MODEL : G3-351S</b></p> <p><b>SERIAL NO. : 0001</b></p> <p><b>MANUFACTURED : 10/2007</b></p> <p><b>WEIGHT : 14kg MAX PAYLOAD : 3kg</b></p> <p><b>MOTOR POWER</b></p> <p>AXIS1 : 200W    AXIS2 : 150W</p> <p>AXIS3 : 150W    AXIS4 : 150W</p> <p><b>SEIKO EPSON CORPORATION</b></p> <p>3-5,OWA 3-CHOME,SUWA-SHI</p> <p>NAGANO-KEN,392-8502 JAPAN</p>
I	<p>Air pressure max. 0.59Mpa, 86psi</p>

Common

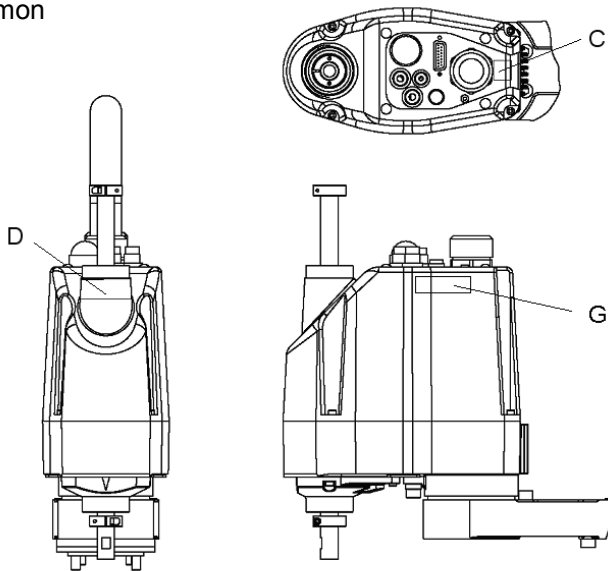
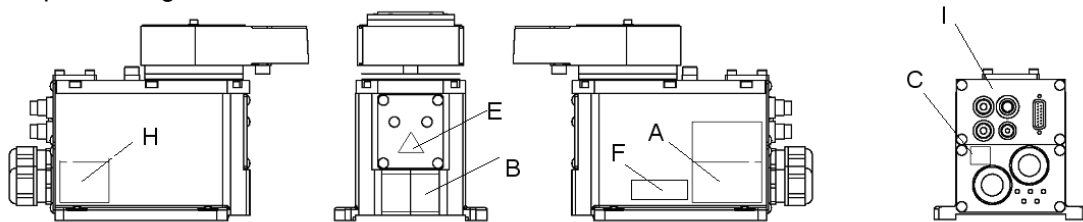
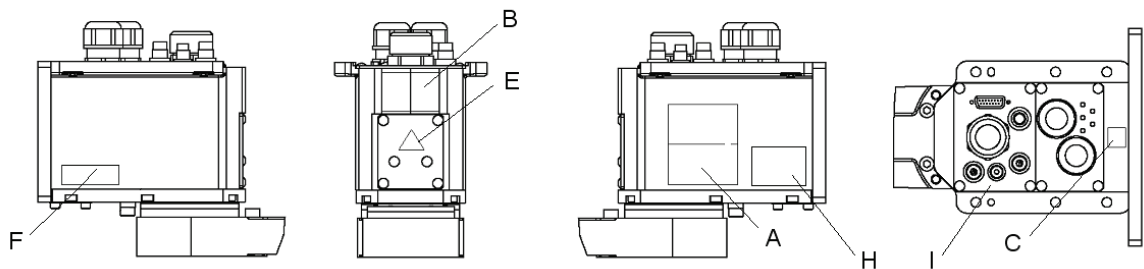


Table Top Mounting



Multiple Mounting



## 2. Specifications

### 2.1 Features of G3 series Manipulators

The G3 series Manipulators are high-performance manipulators pursuing high speed, high accuracy, space saving, and high cost-performance.

The features of the G3 series Manipulators are as follows:

#### Space productivity

Top level of cycle time and positioning accuracy

#### *Minimized body*

10 % downsize of overall height, compared to E2C

#### *Extended motion range*

The same size of motion range compared with the other brands' one up robots

#### *Extended range in Z direction*

Obtain the stroke under the body

#### Succeeded E2C series advantages

#### *Compatibility with the E2C series Manipulators*

The installation procedure and mounting dimensions of end effector for the G3 series are compatible with those for E2C series

\* Secure the compatible mounting position with optional parts

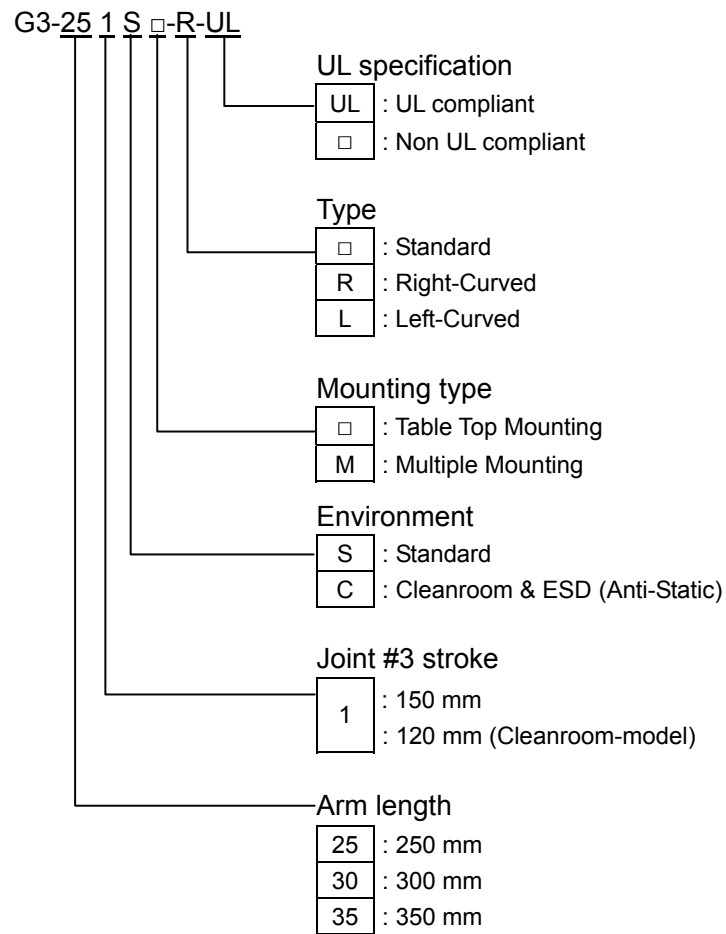
#### *Improved productivity*

Increase in number of user wires and pneumatic tubes

Enhanced speed of Joint #1, 2, 3, and 4

Improved cycle time

## 2.2 Model Number and Model Differences



### Environment

#### *Cleanroom-model*

This model has additional features that reduce dust emitted by the Manipulator to enable use in clean room environments.

For details on the specifications, refer to *Setup & Operation: 2.4 Specifications*.

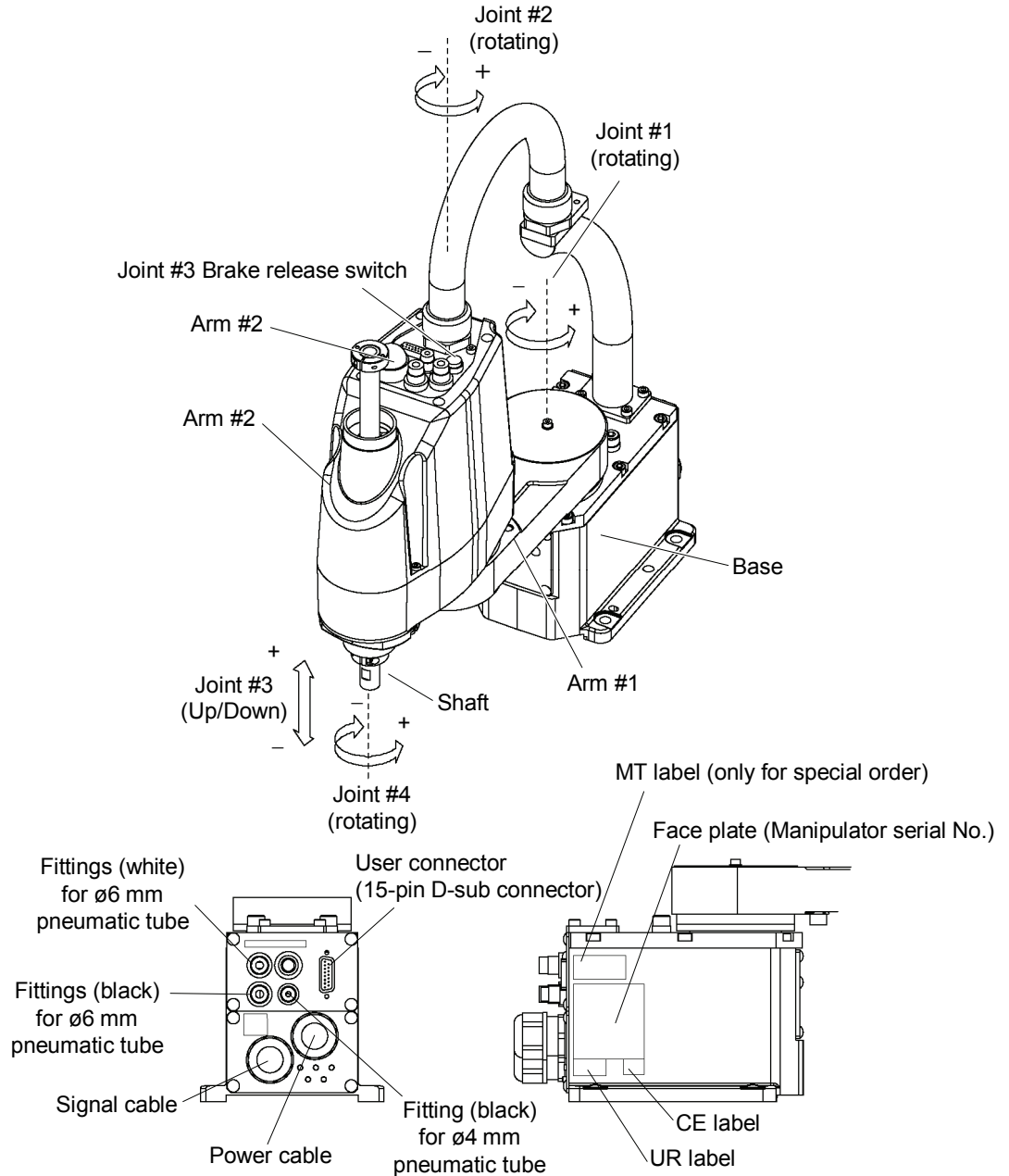
Arm length	Arm type	Mounting type	Environment	Joint #3 stroke	Model Number
250 mm	Standard	Table Top Mounting	Standard	150	G3-251S
			Cleanroom	120	G3-251C
300 mm	Standard	Table Top Mounting	Standard	150	G3-301S
			Cleanroom	120	G3-301C
		Multiple Mounting	Standard	150	G3-301SM
			Cleanroom	120	G3-301CM
	Right-Curved	Table Top Mounting	Standard	150	G3-301S-R
			Cleanroom	120	G3-301C-R
	Left-Curved	Table Top Mounting	Standard	150	G3-301S-L
			Cleanroom	120	G3-301C-L
350 mm	Standard	Table Top Mounting	Standard	150	G3-351S
			Cleanroom	120	G3-351C
		Multiple Mounting	Standard	150	G3-351SM
			Cleanroom	120	G3-351CM
	Right-Curved	Table Top Mounting	Standard	150	G3-351S-R
			Cleanroom	120	G3-351C-R
		Multiple Mounting	Standard	150	G3-351SM-R
			Cleanroom	120	G3-351CM-R
	Left-Curved	Table Top Mounting	Standard	150	G3-351S-L
			Cleanroom	120	G3-351C-L
		Multiple Mounting	Standard	150	G3-351SM-L
			Cleanroom	120	G3-351CM-L



## 2.3 Part Names and Outer Dimensions

### 2.3.1 Table Top Mounting

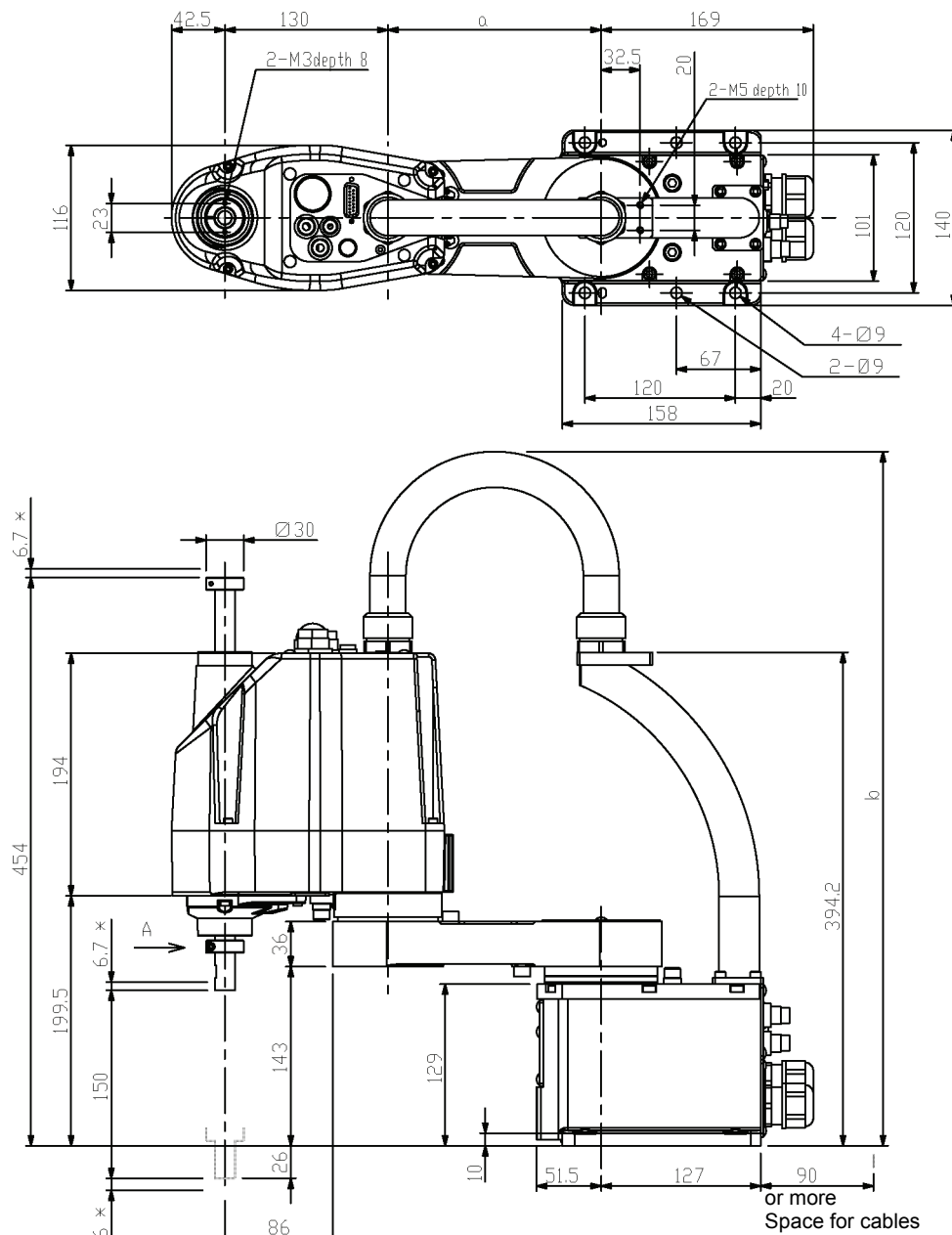
Standard-model G3-\*\*1S



NOTE

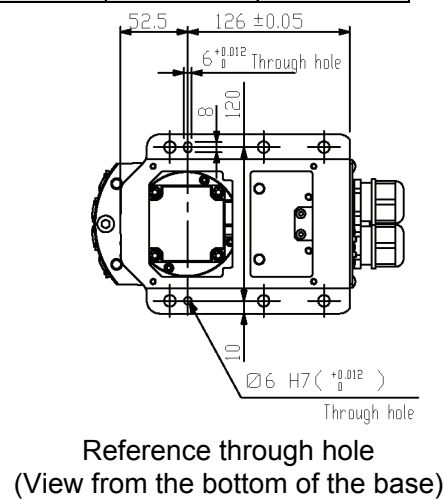
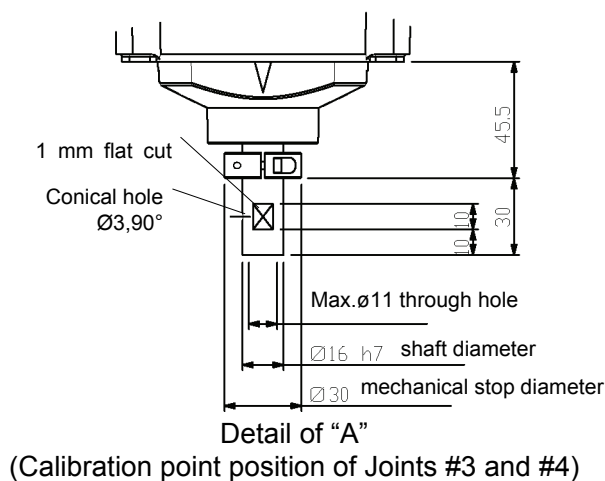


- The brake release button affects only Joint #3. When the brake release button is pressed in emergency mode, the brake for Joint #3 is released.
- While the LED lamp is on, the current is being applied to the manipulator. Performing any work with the power ON is extremely hazardous and it may result in electric shock and/or improper function of the robot system. Make sure to turn OFF the controller power before the maintenance work.



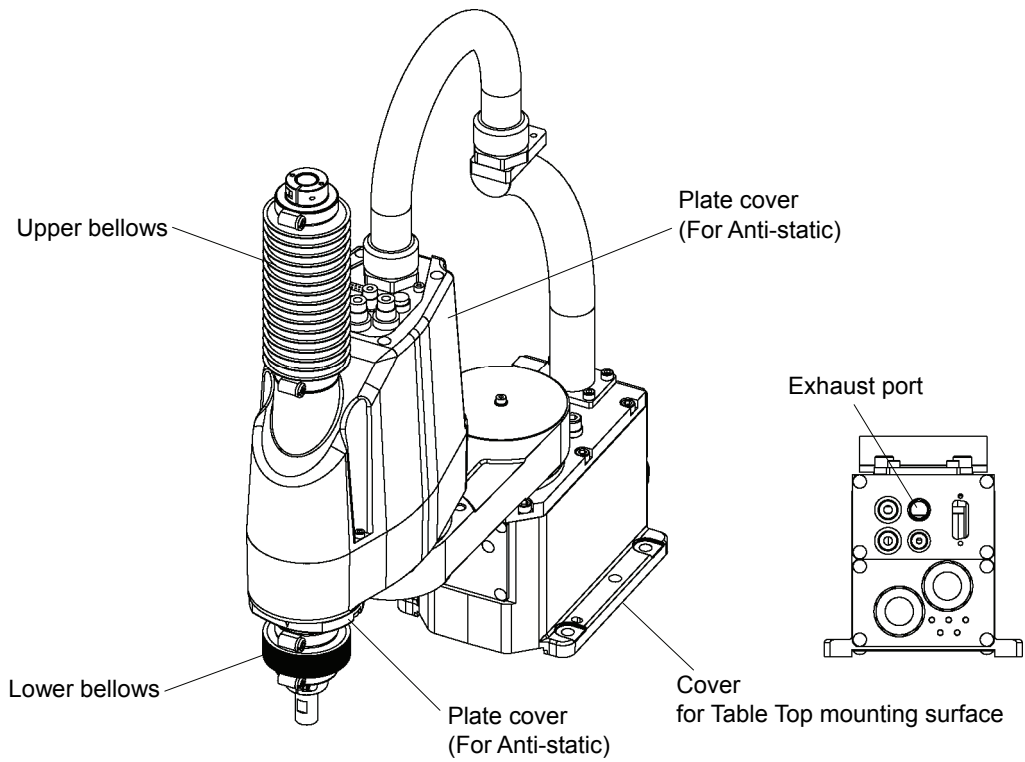
(\*) indicates the stroke margin by mechanical stop.

	G3-251S	G3-301S	G3-351S
a	120	170	220
b	Max.545	Max.575	Max.595



Cleanroom-model: G3-\*\*\*C

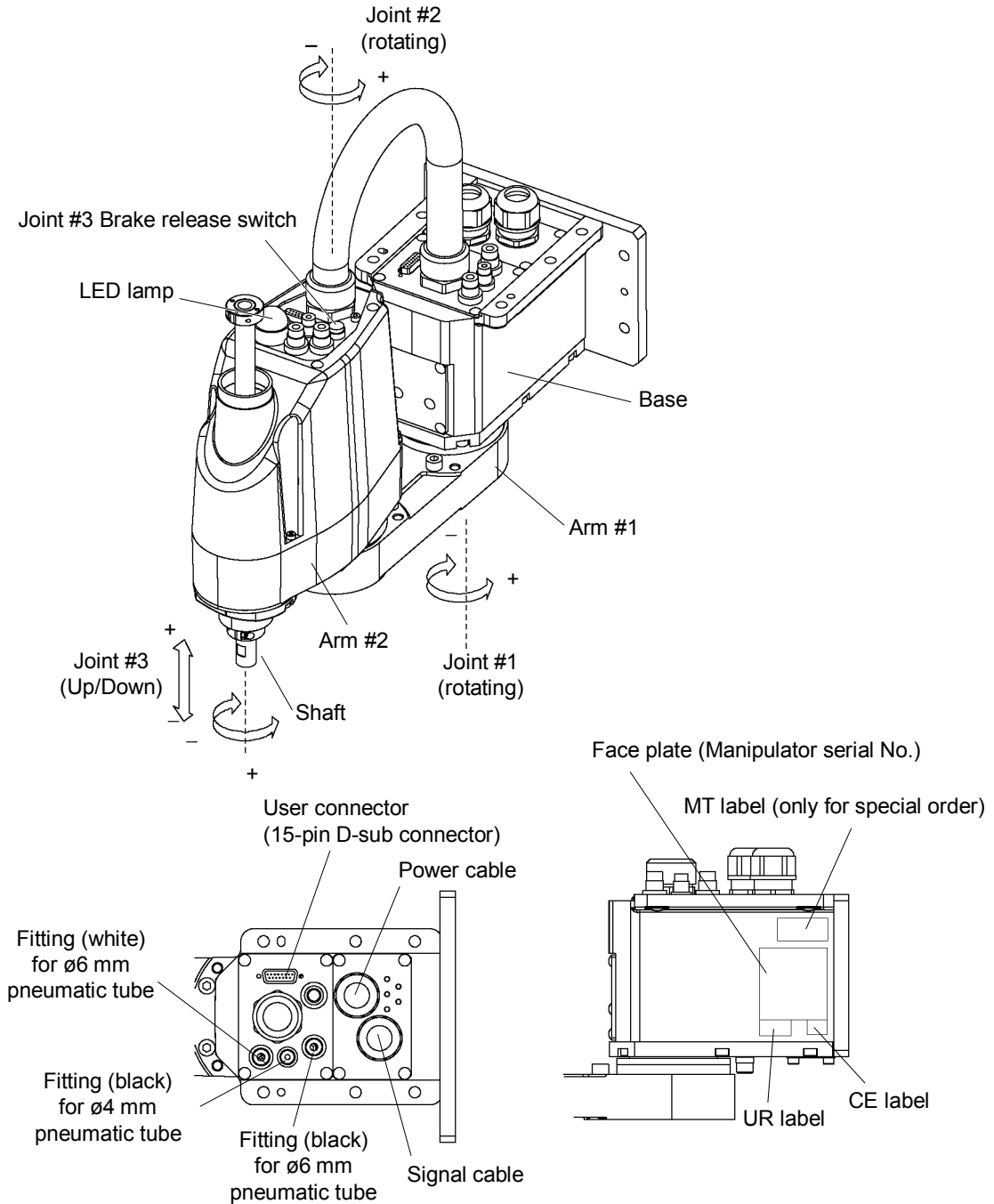
The following figures show the additional parts and specifications for Cleanroom-model (Table Top mounting) when compared with the Standard-model in appearance.





2.3.2 Multiple Mounting

Standard-model: G3-\*\*1SM



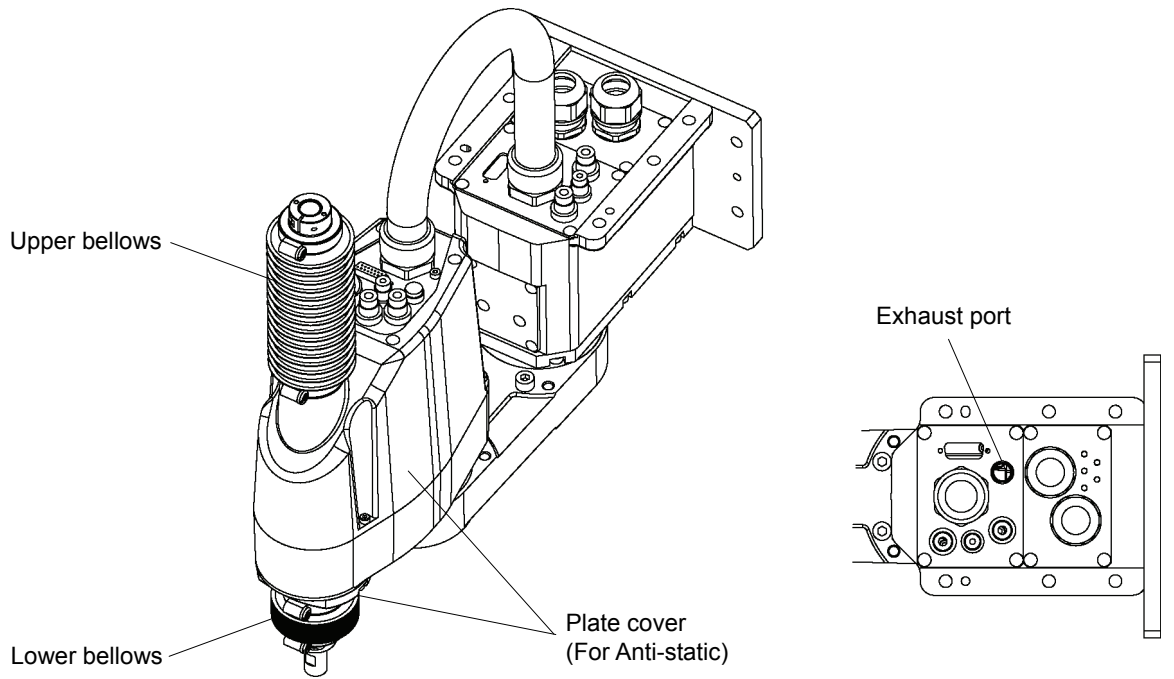
NOTE  

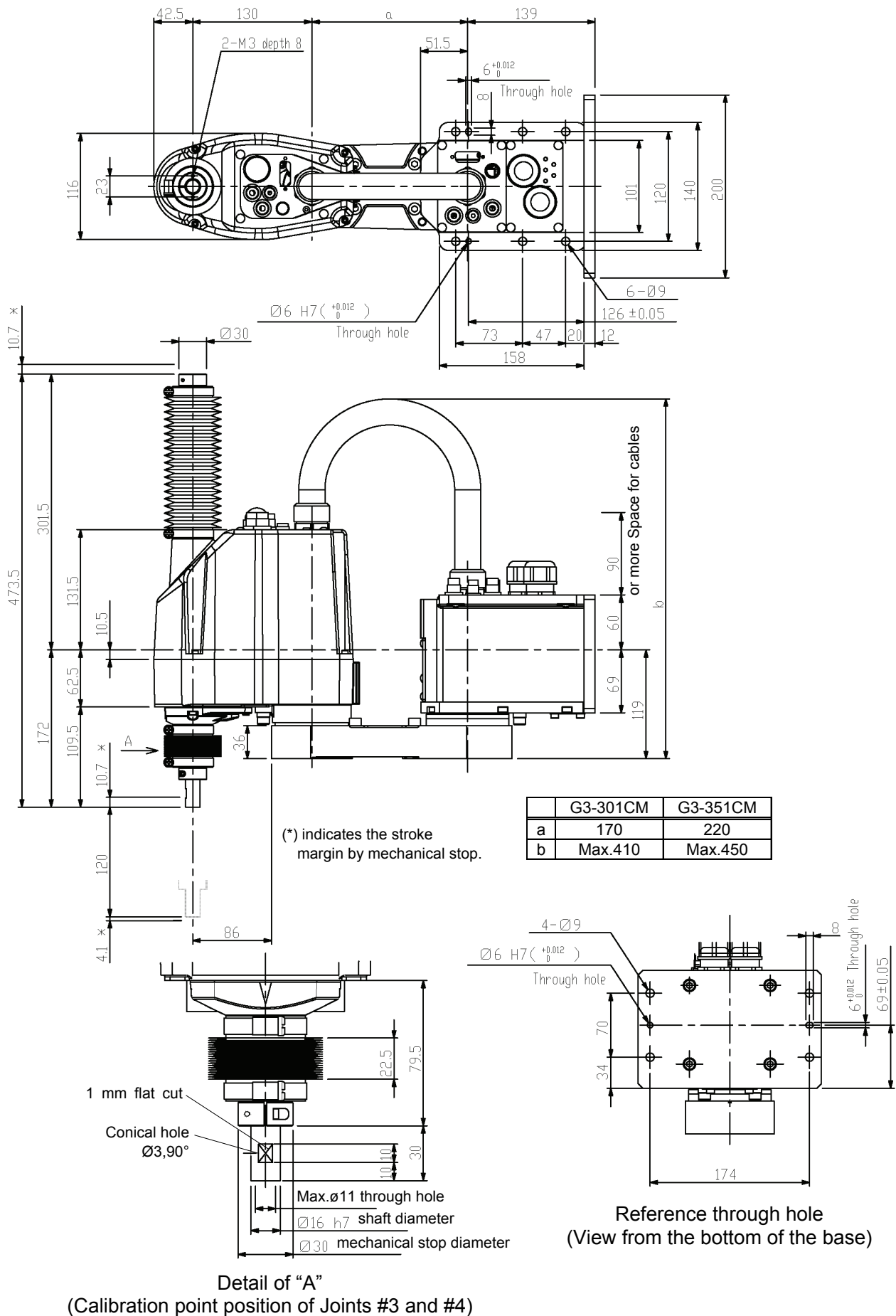

- The brake release button affects only Joint #3. When the brake release button is pressed in emergency mode, the brake for Joint #3 is released.
- While the LED lamp is on, the current is being applied to the manipulator. Performing any work with the power ON is extremely hazardous and it may result in electric shock and/or improper function of the robot system. Make sure to turn OFF the controller power before the maintenance work.



Cleanroom-model: G3-\*\*1CM

The following figures show the additional parts and specifications for Cleanroom-model (Multiple Mounting) when compared with the Standard-model in appearance.







## 2.4 Specifications

Item		G3 series Manipulator		
Arm length	Arm #1, #2	250 mm	300 mm	350 mm
	Arm #1	120 mm	170 mm	220 mm
	Arm #2	130 mm	130 mm	130 mm
Max. operating speed *1	Joints #1, #2	3550 mm/s	3950 mm/s	4350 mm/s
	Joint #3	1100 mm/s		
	Joint #4	3000 deg/s		
Repeatability	Joints #1, #2	± 0.008 mm	± 0.01 mm	± 0.01 mm
	Joint #3	± 0.01 mm		
	Joint #4	± 0.005 deg		
Payload (Load)	Rated	1 kg		
	Max.	3 kg		
Joint #4 allowable moment of inertia *2	Rated	0.005 kg·m <sup>2</sup>		
	Max.	0.05 kg·m <sup>2</sup>		
Resolution	Joints #1	0.0000343323 deg/pulse		
	Joint #2	0.0000549316 deg/pulse		
	Joint #3	0.0000878906 mm/pulse		
	Joint #4	0.000240928 deg/pulse		
Hand	Shaft diameter	ø 16 mm		
	Through hole	ø 11 mm		
Mounting hole	Table top mounting	120 × 120 mm (4-M8)		
	Multiple mounting	Wall mounting : 174 × 70 mm (4-M8)		
		Ceiling mounting : 120 × 120 mm (4-M8) / custom specification		
Weight (cables not included)		14 kg : 31 lb.		
Driving method	All joints	AC servo motor		
Motor energy consumption	Joint #1	200 W		
	Joint #2	150 W		
	Joint #3	150 W		
	Joint #4	150 W		
Option	Installation method	-	Multiple Mounting	
	Installation environment	Cleanroom *3 & ESD		
Joint #3 down force		150 N		
Installed wire for customer use		15 (15 pin: D-sub) 15 cores		
Installed pneumatic tube for customer use		2 pneumatic tubes (ø6 mm) : 0.59 Mpa (6 kgf/cm <sup>2</sup> : 86 psi)		
		1 pneumatic tubes (ø4 mm) : 0.59 Mpa (6 kgf/cm <sup>2</sup> : 86 psi)		
Environmental requirements	Ambient Temp.	5 to 40°C (with minimum temperature variation)		
	Ambient relative humidity	10 to 80% (no condensation)		
Noise level *4		L <sub>Aeq</sub> = 70 dB (A)		
Applicable Controller		RC180, RC620		
Assignable Value ( ) Default values	SPEED	1 to (5) to 100		
	ACCEL *5	1 to (10) to 120		
	SPEEDS	1 to (50) to 2000		
	ACCELS	1 to (200) to 25000		
	FINE	0 to (10000) to 65000		
	WEIGHT	0,130 to (1,130) 3,130		
MTBF		3 years		
Safety standard		UL1740 (Third Edition, Dated December 7, 2007) ANSI/RIA R15.06-1999, NFPA 79 (2007 Edition) CSA/CAN Z434-03 (February 2003) CE Marking – Machinery, Low Voltage, EMC Directive		

Setup & Operation 2. Specifications

Max. motion range (deg) (mm) / Max. pulse range (pulse)

Standard-model / Table Top Mounting

Item			G3-251S	G3-301S-*	G3-351S-*	
Max. motion range (deg), (mm)	Straight	Joint #1	± 140			
		Joint #2	± 141	± 142		
	Curved	Joint #1	Right hand	-	- 125~150	- 110~165
			Left hand	-	- 150~125	- 165~110
		Joint #2	Right hand	-	- 135~150	- 120~165
			Left hand	-	- 150~135	- 165~120
	Common	Joint #3	150 mm			
		Joint #4	± 360			
Max. pulse range (pulse)	Straight	Joint #1	- 1456356~6699236			
		Joint #2	± 2566827	± 2585032		
	Curved	Joint #1	Right hand	-	- 1019449~6990507	- 582543~7427414
			Left hand	-	- 1747627~6262329	- 2184534~5825423
		Joint #2	Right hand	-	- 2457600~2730667	- 2184534~3003734
			Left hand	-	- 2730667~2457600	- 3003734~2184534
	Common	Joint #3	-1706667~0			
		Joint #4	± 1494221			

Standard-model / Multiple Mounting

Item			G3-301SM	G3-351SM-*	
Max. motion range (deg), (mm)	Straight	Joint #1	± 115	± 120	
		Joint #2	± 135	± 142	
	Curved	Joint #1	Right hand	-	- 105~130
			Left hand	-	- 130~105
		Joint #2	Right hand	-	- 120~160
			Left hand	-	- 160~120
	Common	Joint #3	150 mm		
		Joint #4	± 360		
Max. pulse range (pulse)	Straight	Joint #1	- 728178~5971058	- 873814~6116694	
		Joint #2	± 2457600	± 2585032	
	Curved	Joint #1	Right hand	-	- 436907~6407965
			Left hand	-	- 1165085~5679787
		Joint #2	Right hand	-	- 2184534~2912712
			Left hand	-	- 2912712~2184534
	Common	Joint #3	-1706667~0		
		Joint #4	± 1494221		

Cleanroom-model / Table Top Mounting

Item			G3-251C	G3-301C-*	G3-351C-*	
Max. motion range (deg), (mm)	Straight	Joint #1	± 140			
		Joint #2	± 137	± 141	± 142	
	Curved	Joint #1	Right hand	-	- 125~150	- 110~165
			Left hand	-	- 150~125	- 165~110
		Joint #2	Right hand	-	- 135~145	- 120~160
			Left hand	-	- 145~135	- 160~120
	Common	Joint #3	120 mm			
		Joint #4	± 360			
Max. pulse range (pulse)	Straight	Joint #1	- 1456356~6699236			
		Joint #2	± 2494009	± 2566827	± 2585032	
	Curved	Joint #1	Right hand	-	- 1019449~6990507	- 582543~7427414
			Left hand	-	- 1747627~6262329	- 2184534~5825423
		Joint #2	Right hand	-	- 2457600~2639645	- 2184534~2912712
			Left hand	-	- 2639645~2457600	- 2912712~2184534
	Common	Joint #3	-1365334~0			
		Joint #4	± 1494221			

Cleanroom-model / Multiple Mounting

Item			G3-301CM	G3-351CM-*	
Max. motion range (deg), (mm)	Straight	Joint #1	± 115	± 120	
		Joint #2	± 135	± 142	
	Curved	Joint #1	Right hand	-	- 105~130
			Left hand	-	- 130~105
		Joint #2	Right hand	-	- 120~150
			Left hand	-	- 150~120
	Common	Joint #3	120 mm		
		Joint #4	± 360		
Max. pulse range (pulse)	Straight	Joint #1	- 728178~5971058	- 873814~6116694	
		Joint #2	± 2457600	± 2585032	
	Curved	Joint #1	Right hand	-	- 436907~6407965
			Left hand	-	- 1165085~5679787
		Joint #2	Right hand	-	- 2184534~2730667
			Left hand	-	- 2730667~2187534
	Common	Joint #3	-1365334~0		
		Joint #4	± 1494221		

- \*1: In the case of PTP command.  
Maximum operating speed for CP command is 2000 mm/s on horizontal plane.
- \*2: In the case where the center of gravity is at the center of Joint #4.  
If the center of gravity is not at the center of Joint #4, set the parameter using Inertia command.
- \*3: The exhaust system in the Cleanroom-model Manipulator draws air from the base interior and arm cover interior together.  
A crack or other opening in the base unit can cause loss of negative air pressure in the outer part of the arm, which can cause increased dust emission.  
Do not remove the maintenance cover on the front of the base.  
Seal the exhaust port and the exhaust tube with vinyl tape so that the joint is airtight.  
If the exhaust flow is not sufficient, dust particle emission may exceed the specified maximum level.  
Cleanliness level : Class ISO 3 (ISO14644-1)
  - In previous criteria; Clean Class: 10 or its equivalent
  - Amount of Dust (0.1  $\mu\text{m}$  diameter or larger) in 28317  $\text{cm}^3$  (1cft) sample-air around the center of the motion rang: 10 particles or less.Exhaust System : Exhaust port diameter : Inner diameter:  $\varnothing 12$  mm / Outer diameter:  $\varnothing 16$  mm  
Exhaust tube : Polyurethane tube
  - Outer diameter:  $\varnothing 12$  mm (Inner diameter:  $\varnothing 8$  mm) or
  - Inner diameter  $\varnothing 16$ mm or larger
  - Recommended exhaust flow rate : approx. 1000  $\text{cm}^3/\text{s}$  (Normal)
- \*4: Conditions of Manipulator during measurement as follows:
  - Operating conditions : Under rated load, 4-joints simultaneous motion, maximum speed, maximum acceleration, and duty 50%.
  - Measurement point : In front of the Manipulator, 1000 mm apart from the motion range, 50 mm above the base-installed surface.
- \*5: In general use, Accel setting 100 is the optimum setting that maintains the balance of acceleration and vibration when positioning.  
However, you may require an operation with high acceleration to shorten the cycle time by decreasing the vibration at positioning. In this case, set Accel to larger than 100.  
If you specify a larger Accel value, the frequency of the overload error and over heat may rise during continuous operation. The use of large Accel setting is recommended only for necessary motions.

## 2.5 How to Set the Model

The Manipulator model for your system has been set before shipment from the factory. It is normally not required to change the model when you receive your system.



CAUTION

- When you need to change the setting of the Manipulator model, be sure to set the Manipulator model properly. Improper setting of the Manipulator model may result in abnormal or no operation of the Manipulator and/or cause safety problems.

NOTE



If an MT label is attached to the rear of a Manipulator, the Manipulator has custom specifications. The custom specifications may require a different configuration procedure; check the custom specifications number described on the MT label and contact us when necessary.

The Manipulator model can be set from software.

Refer to the chapter *Robot Configuration* in the *EPSON RC+ User's Guide*.

## 3. Environments and Installation

### 3.1 Environmental Conditions

A suitable environment is necessary for the robot system to function properly and safely. Be sure to install the robot system in an environment that meets the following conditions:

Item	Conditions
Ambient temperature *	5 to 40°C (with minimum temperature variation)
Ambient relative humidity	10 to 80% (no condensation)
First transient burst noise	2 kV or less
Electrostatic noise	6 kV or less
Environment	<ul style="list-style-type: none"> <li>· Install indoors.</li> <li>· Keep away from direct sunlight.</li> <li>· Keep away from dust, oily smoke, salinity, metal powder or other contaminants.</li> <li>· Keep away from flammable or corrosive solvents and gases.</li> <li>· Keep away from water.</li> <li>· Keep away from shocks or vibrations.</li> <li>· Keep away from sources of electric noise.</li> </ul>



Manipulators are not suitable for operation in harsh environments such as painting areas, etc. When using Manipulators in inadequate environments that do not meet the above conditions, please contact us.

\* The ambient temperature conditions are for the Manipulators only. For the Controller the Manipulators are connected to, refer to the Controller manual.

#### Special Environmental Conditions

The surface of the Manipulator has general oil resistance. However, if your requirements specify that the Manipulator must withstand certain kinds of oil, please consult your distributor.

Rapid change in temperature and humidity can cause condensation inside the Manipulator.

If your requirements specify that the Manipulator handles food, please consult your distributor to check whether the Manipulator gives damage to the food or not.

The Manipulator cannot be used in corrosive environments where acid or alkaline is used. In a salty environment where the rust is likely to gather, the Manipulator is susceptible to rust.



WARNING

- Use an earth leakage breaker on the AC power cable of the Controller to avoid the electric shock and circuit breakdown caused by an unexpected water leak. Prepare the earth leakage brake that pertains the controller you are using. For details, refer to the controller manual.

## 3.2 Base Table

A base table for anchoring the Manipulator is not supplied. Please make or obtain the base table for your Manipulator. The shape and size of the base table differs depending on the use of the robot system. For your reference, we list some Manipulator table requirements here.

The torque and reaction force produced by the movement of the Manipulator are as follows:

Max. Reaction torque on the horizontal plate : 300 Nm

Max. Horizontal reaction force : 2000 N

Max. Vertical reaction force : 1000 N

The threaded holes required for mounting the Manipulator base are M8. Use mounting bolts with specifications conforming to ISO898-1 property class: 10.9 or 12.9. For dimensions, refer to *Setup & Operation: 3.3 Mounting Dimensions*.

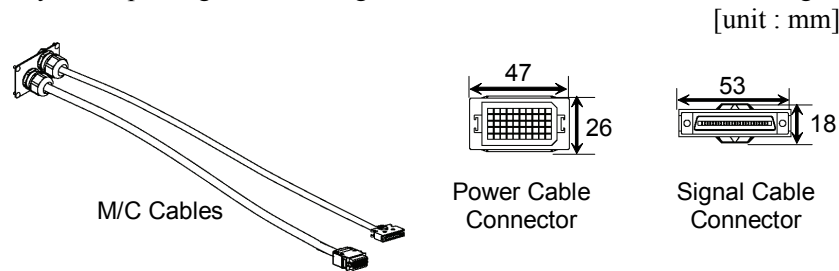
The plate for the Manipulator mounting face should be 20 mm thick or more and made of steel to reduce vibration. The surface roughness of the steel plate should be 25  $\mu$ m or less.

The table must be secured on the floor or wall to prevent it from moving.

The Manipulator must be installed horizontally.

When using a leveler to adjust the height of the base table, use a screw with M16 diameter or more.

If you are passing cables through the holes on the base table, see the figures below.



Do not remove the M/C cables from the Manipulator.



For environmental conditions regarding space when placing the Controller on the base table, refer to the *Controller manual*.



- To ensure safety, a safeguard must be installed for the robot system. For details on the safeguard, refer to the *EPSON RC+ User's Guide*.

### 3.3 Mounting Dimensions

The maximum space described in figures shows that the radius of the end effector is 60 mm or less. If the radius of the end effector exceeds 60 mm, define the radius as the distance to the outer edge of maximum space.

If a camera or electromagnetic valve extends outside of the arm, set the maximum range including the space that they may reach.

Be sure to allow for the following extra spaces in addition to the space required for mounting the Manipulator, Controller, and peripheral equipment.

space for teaching

space for maintenance and inspection

(Ensure a space to open the rear side cover and the maintenance cover for maintenance.)

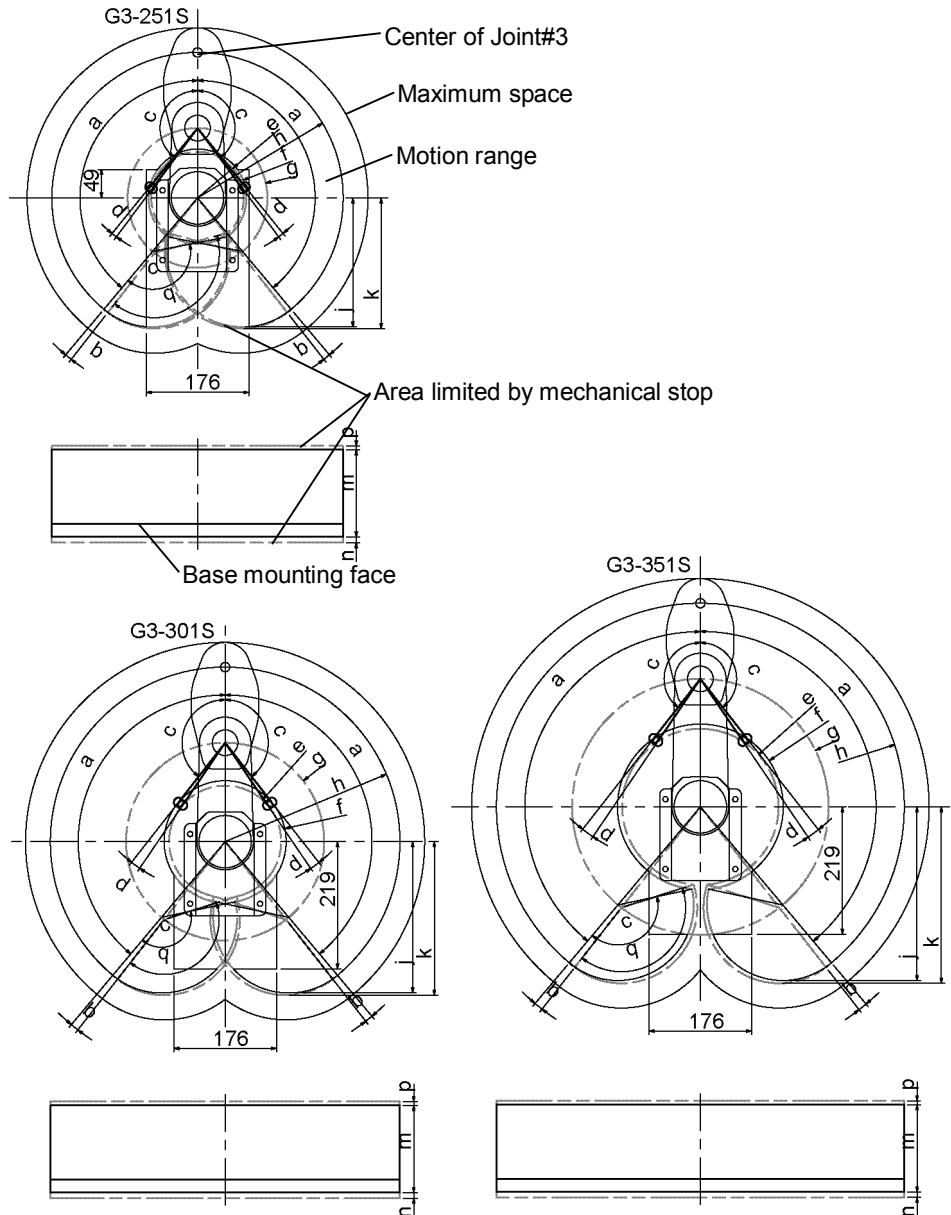
space for cables

The minimum bend radius of the power cable is 90 mm. When installing the cable, be sure to maintain sufficient distance from obstacles. In addition, leave enough space for other cables so that they are not bent forcibly.

Ensure distance to the safeguard from the maximum motion range is more than 100 mm.



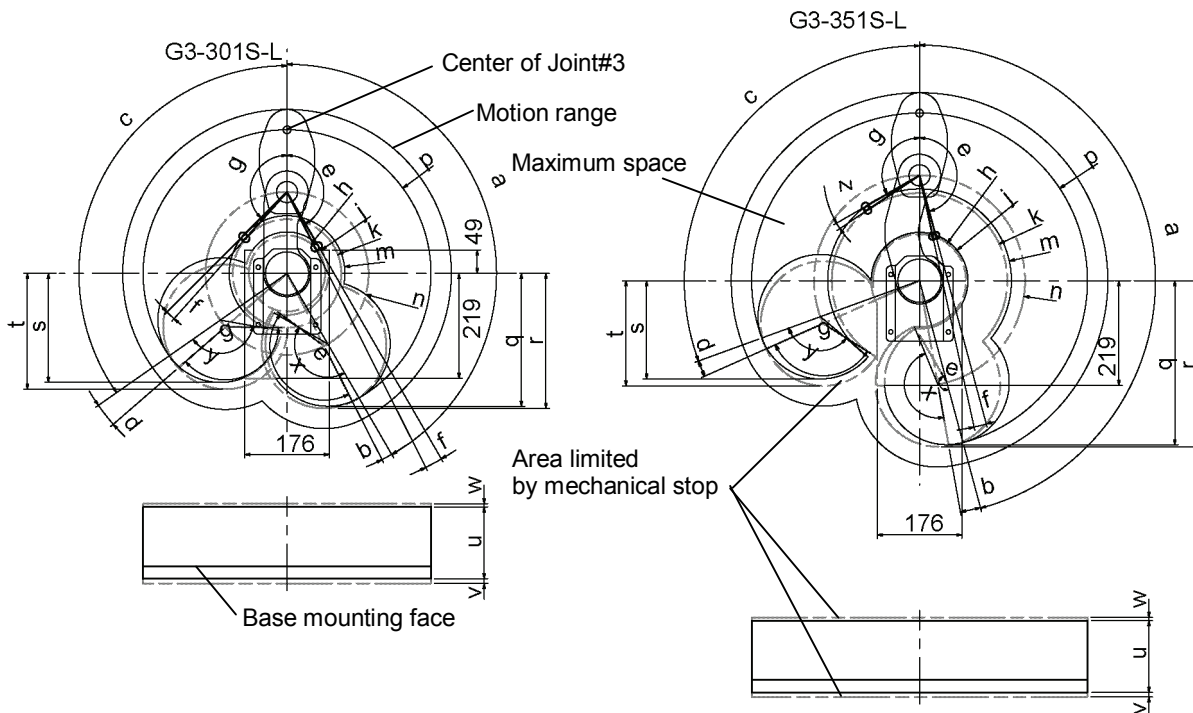
3.3.1 Table Top Mounting – Straight Arm



	a	b	c	d	e	f	g	h	j	k	q	m	n	p
G3-251S	140°	2°	141°	2.3°	79.3	84.0	120	250	221.9	224.5	143.3°	150	9.6	6.7
G3-251C			137°	6.3°		92.0						120	4.1	10.7
G3-301S			142°	3.8°	96.2	104.8	170	300	260.2	263.9	145.8°	150	9.6	6.7
G3-301C			141°	4.8°		107.1						120	4.1	10.7
G3-351S			142°	3.8°	134.2	142.3	220	350	298.5	303.3		150	9.6	6.7
G3-351C			142°	3.8°		146.6						120	4.1	10.7

g	Length of Arm #1 (mm)	b	Joint #1 angle to hit mechanical stop (degree)
h-g	Length of Arm #2 (mm)	d	Joint #2 angle to hit mechanical stop (degree)
m	Stroke of Joint #3 (mm)	n	Joint #3 range to hit lower mechanical stop (mm)
f	Motion range	p	Joint #3 range to hit upper mechanical stop (mm)
a	Motion range of Joint #1 (degree)	j	Range from center of axis to back end (mm)
c	Motion range of Joint #2 (degree)	k	Range from center of axis to back end after moved to mechanical stop (mm)
e	Mechanical stop area	q	Joint #2 motion range + angle to hit mechanical stop (degree)

3.3.2 Table Top Mounting – Left-Curved Arm



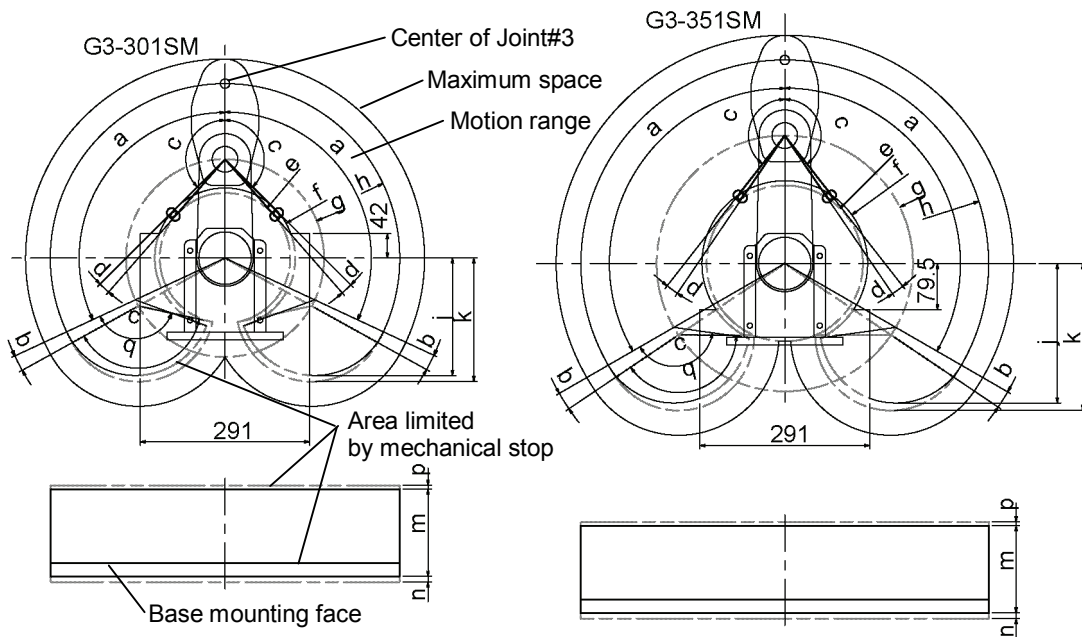
	a	b	c	d	e	f	g	h	j	k	m	n	p	q
G3-301S-L	150°	3°	125°	6°	150°	3.3°	135°	79.5	86.8	113.2	120.7	170	300	277.2
G3-301C-L					145°	8.3°								
G3-351S-L	165°	5°	110°	4°	165°	2.8°	120°	97.0	100.3	183.0	191.6	220	350	342.5
G3-351C-L					160°	7.8°								

	r	s	t	u	v	w	x	y	z
G3-301S-L	281.4	227.5	241.5	150	9.6	6.7	153.3°	138.3°	—
G3-301C-L	288.7	201.8	227.5	120	4.1	10.7			3.8°
G3-351S-L	346.6	205.2	219.4	150	9.6	6.7	167.8°	123.8°	3.8°
G3-351C-L			222.9	120	4.1	10.7			

n	Length of Arm #1 (mm)	b, d	Joint #1 angle to hit mechanical stop (degree)
p-n	Length of Arm #2 (mm)	f, z	Joint #2 angle to hit mechanical stop (degree)
u	Stroke of Joint #3 (mm)	v	Joint #3 range to hit lower mechanical stop (mm)
m, j	Motion range	w	Joint #3 range to hit upper mechanical stop (mm)
a, c	Motion range of Joint #1 (degree)	q, s	Range from center of axis to back end (mm)
e, g	Motion range of Joint #2 (degree)	r, t	Range from center of axis to back end after moved to mechanical stop (mm)
h, k	Mechanical stop area	x, y	Joint #2 motion range + angle to hit mechanical stop (degree)



3.3.4 Multiple Mounting – Straight Arm

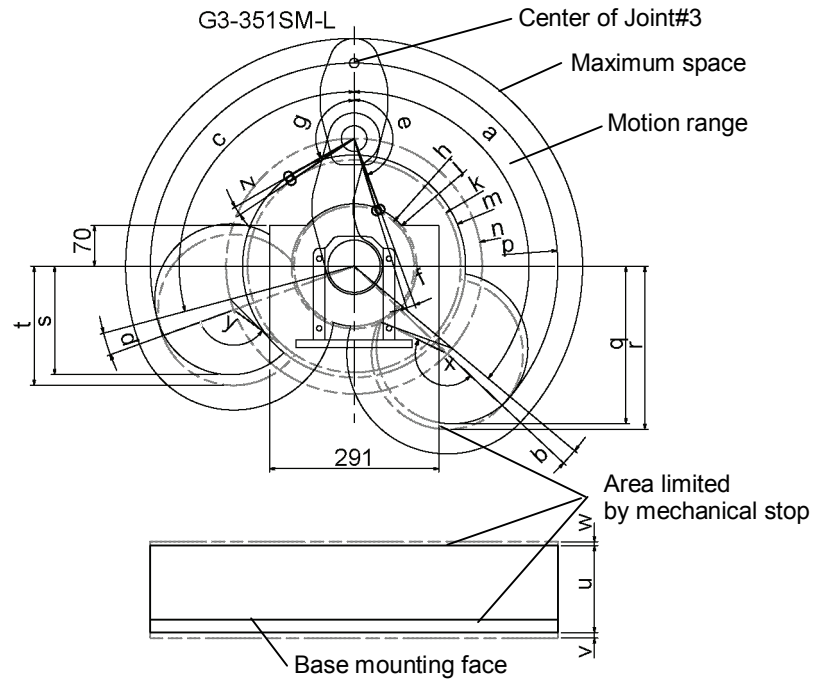


	a	b	c	d	e	f	g	h	j	k	q
G3-301SM/CM	115°	4°	135°	3.8°	112.0	120.7	170	300	201.8	212.4	138.8°
G3-351SM/CM	120°		142°		134.2	142.3	220	350	240.0	253.0	145.8°

	m	n	p
G3-301SM	150	9.6	6.7
G3-301CM	120	4.1	10.7
G3-351SM	150	9.6	6.7
G3-351CM	120	4.1	10.7

g	Length of Arm #1 (mm)	b	Joint #1 angle to hit mechanical stop (degree)
h-g	Length of Arm #2 (mm)	d	Joint #2 angle to hit mechanical stop (degree)
m	Stroke of Joint #3 (mm)	n	Joint #3 range to hit lower mechanical stop (mm)
f	Motion range	p	Joint #3 range to hit upper mechanical stop (mm)
a	Motion range of Joint #1 (degree)	j	Range from center of axis to back end (mm)
c	Motion range of Joint #2 (degree)	k	Range from center of axis to back end after moved to mechanical stop (mm)
e	Mechanical stop area	q	Joint #2 motion range + angle to hit mechanical stop (degree)

3.3.5 Multiple Mounting – Left-Curved Arm



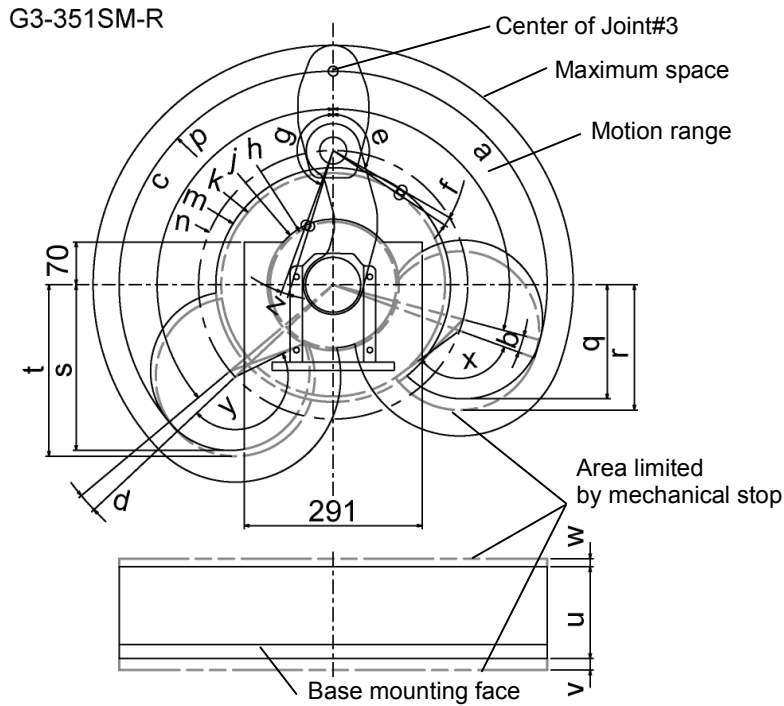
	a	b	c	d	e	f	g	h	j	k	m
G3-351SM-L	130°	3.3°	105°	5°	160°	2.8°	120°	103.3	107.5	183.0	191.9
G3-351CM-L		2°			150°	12.8°			125.6		

	n	p	q	r	s	t	x	y	z
G3-351SM-L	220	350	271.4	280.8	186.9	205.2	162.8°	123.8°	3.8°
G3-351CM-L				277.2					

	u	v	w
G3-351SM-L	150	9.6	6.7
G3-351CM-L	120	4.1	10.7

n	Length of Arm #1 (mm)	b, d	Joint #1 angle to hit mechanical stop (degree)
p-n	Length of Arm #2 (mm)	f, z	Joint #2 angle to hit mechanical stop (degree)
u	Stroke of Joint #3 (mm)	v	Joint #3 range to hit lower mechanical stop (mm)
m, j	Motion range	w	Joint #3 range to hit upper mechanical stop (mm)
a, c	Motion range of Joint #1 (degree)	q, s	Range from center of axis to back end (mm)
e, g	Motion range of Joint #2 (degree)	r, t	Range from center of axis to back end after moved to mechanical stop (mm)
h, k	Mechanical stop area	x, y	Joint #2 motion range + angle to hit mechanical stop (degree)

3.3.6 Multiple Mounting – Right-Curved Arm



	a	b	c	d	e	f	g	h	j	k	m
G3-351SM-R	105°	5°	130°	3.3°	120°	3.8°	160°	103.3	107.5	183.0	191.9
G3-351CM-R				2°			150°		125.6		


	N	p	q	r	s	t	x	y	z
G3-351SM-R	220	350	186.9	205.2	271.4	280.8	123.8°	162.8°	2.8°
G3-351CM-R						277.2			12.8°


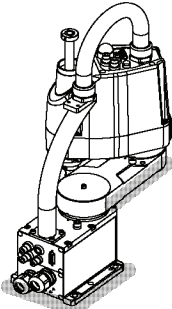
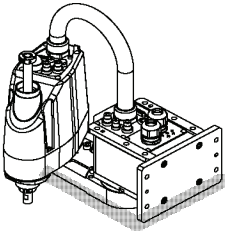
	u	v	w
G3-351SM-R	150	9.6	6.7
G3-351CM-R	120	4.1	10.7

n	Length of Arm #1 (mm)	b, d	Joint #1 angle to hit mechanical stop (degree)
p-n	Length of Arm #2 (mm)	f, z	Joint #2 angle to hit mechanical stop (degree)
u	Stroke of Joint #3 (mm)	v	Joint #3 range to hit lower mechanical stop (mm)
m, j	Motion range	w	Joint #3 range to hit upper mechanical stop (mm)
a, c	Motion range of Joint #1 (degree)	q, s	Range from center of axis to back end (mm)
e, g	Motion range of Joint #2 (degree)	r, t	Range from center of axis to back end after moved to mechanical stop (mm)
h, k	Mechanical stop area	x, y	Joint #2 motion range + angle to hit mechanical stop (degree)

### 3.4 Unpacking and Transportation

THE INSTALLATION SHALL BE PREFORMED BY QUALIFIED INSTALLATION PERSONNEL AND SHOULD CONFORM TO ALL NATIONAL AND LOCAL CODES.

 WARNING	<ul style="list-style-type: none"> <li>Only authorized personnel should perform sling work and operate a crane and a forklift. When these operations are performed by unauthorized personnel, it is extremely hazardous and may result in serious bodily injury and/or severe equipment damage to the robot system.</li> </ul>
----------------------------------------------------------------------------------------------	--------------------------------------------------------------------------------------------------------------------------------------------------------------------------------------------------------------------------------------------------------------------------------------------------------------------------------

 CAUTION	<ul style="list-style-type: none"> <li>Using a cart or similar equipment, transport the Manipulator in the same manner as it was delivered.</li> <li>After removing the bolts securing the Manipulator to the delivery equipment, the Manipulator can fall. Be careful not to get hands or fingers caught.</li> <li>The arm is secured with a wire tie. Leave the wire tie secured until you finish the installation so as not to get hands or fingers caught.</li> <li>To carry the Manipulator, have two or more people to work on it and secure the Manipulator to the delivery equipment or hold the areas indicated in gray in the figure (bottom of Arm #1 and bottom of the base) by hand. When holding the bottom of the base by hand, be very careful not to get your hands or fingers caught.</li> </ul> <div style="display: flex; justify-content: space-around; align-items: flex-start; margin-top: 20px;"> <div style="text-align: center;">  <p>Table Top Mounting                      G3-251* : approx. 14 kg: 31 lb.                      G3-301* : approx. 14 kg: 31 lb.                      G3-351* : approx. 14 kg: 31 lb.</p> </div> <div style="text-align: center;">  <p>Multiple Mounting                      G3-301*M : approx. 14 kg: 31 lb.                      G3-351*M : approx. 14 kg: 31 lb</p> </div> </div> <ul style="list-style-type: none"> <li>Stabilize the Manipulator with your hands when hoisting it.</li> <li>When transporting the Manipulator for a long distance, secure it to the delivery equipment directly so that the Manipulator never falls. If necessary, pack the Manipulator in the same style as it was delivered.</li> </ul>
------------------------------------------------------------------------------------------------	----------------------------------------------------------------------------------------------------------------------------------------------------------------------------------------------------------------------------------------------------------------------------------------------------------------------------------------------------------------------------------------------------------------------------------------------------------------------------------------------------------------------------------------------------------------------------------------------------------------------------------------------------------------------------------------------------------------------------------------------------------------------------------------------------------------------------------------------------------------------------------------------------------------------------------------------------------------------------------------------------------------------------------------------------------------------------------------------------------------------------------------------------------------------------------------------------------------------------------------------------------------------------------------------------------------------------------------------------------------------------------------------------------------------------------------------------------------------------------------------------------------------------------------------------------------------------------------------------------------------------------------------------------------------------------------------------------------------------------------------------------------------------------------------------------------------------------------------------------------------------------------

## 3.5 Installation Procedure



CAUTION

- The robot system must be installed to avoid interference with buildings, structures, utilities, other machines and equipment that may create a trapping hazard or pinch points.

The following sections describe the installation of the Standard Manipulator.

3.5.1 Table Top Mounting

3.5.2 Multiple Mounting

For Cleanroom-model manipulator, refer to this section;

3.5.3 Cleanroom-model

### 3.5.1 Table Top Mounting



CAUTION

- Install the Table Top Mounting Manipulator with two or more people. The Manipulator weights are as follows. Be careful not to get hands, fingers, or feet caught and/or have equipment damaged by a fall of the Manipulator.  
G3-251\* : approx. 14 kg: 31 lb.  
G3-301\* : approx. 14 kg: 31 lb.  
G3-351\* : approx. 14 kg: 31 lb.

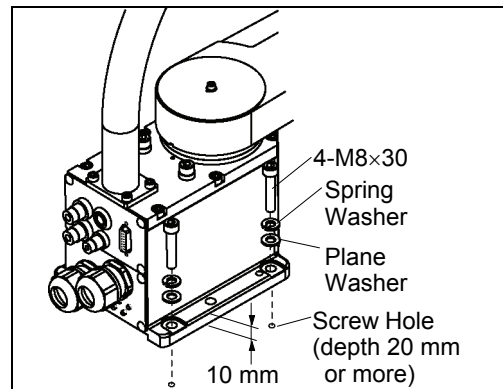
#### Standard-model

- (1) Secure the base to the base table with four bolts.

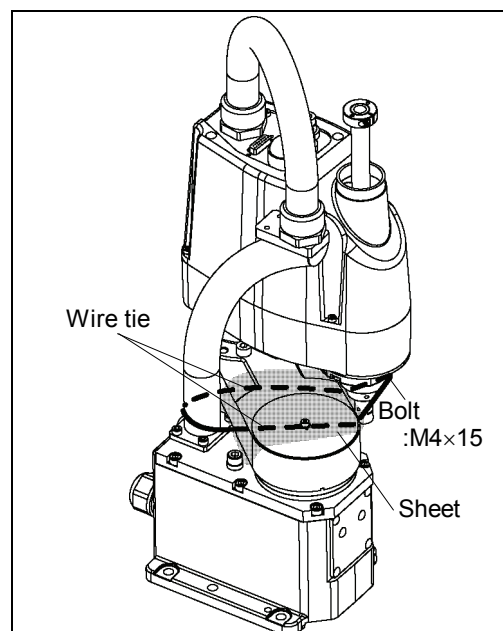
NOTE



Use bolts with specifications conforming to ISO898-1 Property Class: 10.9 or 12.9.





- (2) Using nippers, cut off the wire tie binding the shaft and arm retaining bracket on the base.
- (3) Remove the bolts securing the wire ties removed in step (2).



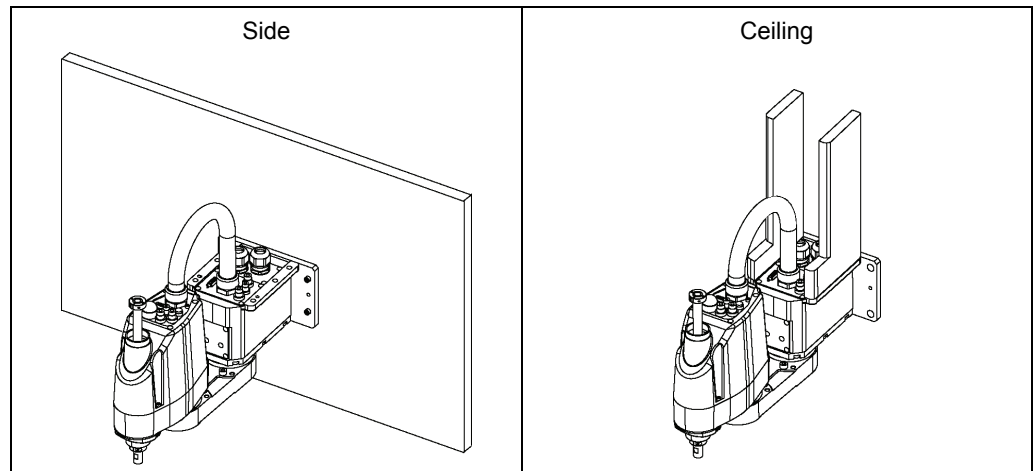


### 3.5.2 Multiple Mounting

 <b>WARNING</b>	<ul style="list-style-type: none"> <li>■ Install the Multiple Mounting Manipulator with two or more people. The Manipulator weights are as follows. Be careful not to get hands, fingers, or feet caught and/or have equipment damaged by a fall of the Manipulator.                      G3-301*M : approx. 14 kg: 31 lb.                      G3-351*M : approx. 14 kg: 31 lb.</li> <li>■ When installing the Manipulator to the wall, support the Manipulator, and then secure the anchor bolts. Removing the support without securing the anchor bolts properly is extremely hazardous and may result in fall of the Manipulator.</li> </ul>
-----------------------------------------------------------------------------------------------------	----------------------------------------------------------------------------------------------------------------------------------------------------------------------------------------------------------------------------------------------------------------------------------------------------------------------------------------------------------------------------------------------------------------------------------------------------------------------------------------------------------------------------------------------------------------------------------------------------------------------------------------------------------

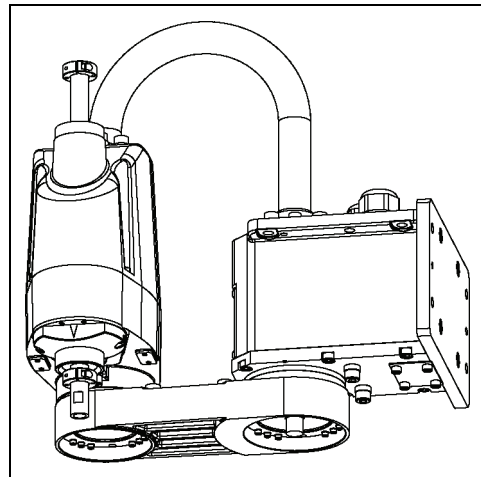
**NOTE**  Design and make the base table for anchoring the Multiple Mounting Manipulators so that it does not touch any cable connected to the base connector plate and duct.

The recommended installation patterns are as follows:



Standard-model

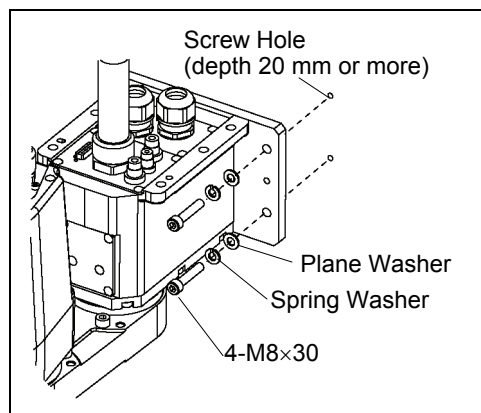
- (1) Unpack the manipulator with retaining the arm posture.



- (2) Secure the base to the wall with four bolts.



**NOTE** Use bolts with specifications conforming to ISO898-1 Property Class: 10.9 or 12.9.



### 3.5.3 Cleanroom-model



- (1) Unpack it outside of the clean room.
- (2) Secure the Manipulator to delivery equipment such as a pallet with bolts so that the Manipulator does not fall.
- (3) Wipe off the dust on the Manipulator with a little alcohol or distilled water on a lint-free cloth.
- (4) Carry the Manipulator in the clean room.
- (5) Refer to the installation procedure of each Manipulator model and install the Manipulator.
- (6) Connect an exhaust tube to the exhaust port.



**CAUTION**

- When operating the Manipulator under special environmental conditions (adverse conditions with dust and oily smoke), do not place the controller in the same condition since the controller does not comply with IP54 / IP65. Doing so may cause equipment damage to and/or malfunction of the controller.


### 3.6 Connecting the Cables

 WARNING	<ul style="list-style-type: none"> <li>■ To shut off power to the robot system, pull out the power plug from the power source. Be sure to connect the AC power cable to a power receptacle. DO NOT connect it directly to a factory power source.</li> <li>■ Before performing any replacement procedure, turn OFF the Controller and related equipment, and then pull out the power plug from the power source. Performing any replacement procedure with the power ON is extremely hazardous and may result in electric shock and/or malfunction of the robot system.</li> <li>■ Be sure to connect the cables properly. Do not allow unnecessary strain on the cables. (Do not put heavy objects on the cables. Do not bend or pull the cables forcibly.) The unnecessary strain on the cables may result in damage to the cables, disconnection, and/or contact failure. Damaged cables, disconnection, or contact failure is extremely hazardous and may result in electric shock and/or improper function of the robot system.</li> <li>■ Grounding the manipulator is done by connecting with the controller. Ensure that the controller is grounded and the cables are correctly connected. If the ground wire is improperly connected to ground, it may result in the fire or electric shock.</li> </ul>
 CAUTION	<ul style="list-style-type: none"> <li>■ When connecting the Manipulator to the Controller, make sure that the serial numbers on each equipment match. Improper connection between the Manipulator and Controller may not only cause improper function of the robot system but also serious safety problems. The connection method varies with the Controller used. For details on the connection, refer to the <i>Controller manual</i>. If the G series Manipulator or E2 series Manipulator is connected to the Controller for the PS series (ProSix), it may result in malfunction of the Manipulator.</li> </ul>

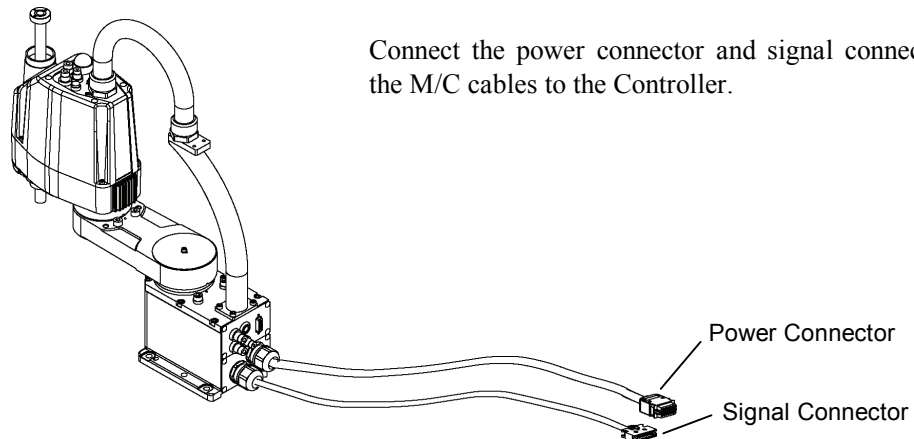
When the Manipulator is a Cleanroom-model, be aware of the followings.

For the Manipulator of Cleanroom-model, use it with an exhaust system.

For details, refer to *Setup & Operation: 2.4 Specifications*.


 CAUTION	<ul style="list-style-type: none"> <li>■ When operating the Manipulator under special environmental conditions (adverse conditions with dust and oily smoke), do not place the controller in the same condition since the controller does not comply with IP54 / IP65. Doing so may cause equipment damage to and/or malfunction of the controller.</li> </ul>
------------------------------------------------------------------------------------------------	----------------------------------------------------------------------------------------------------------------------------------------------------------------------------------------------------------------------------------------------------------------------------------------------------------------------------------------------------------------

#### Cable Connections



Connect the power connector and signal connector of the M/C cables to the Controller.

### 3.7 User Wires and Pneumatic Tubes

 <b>CAUTION</b>	<ul style="list-style-type: none"> <li>Only authorized or certified personnel should be allowed to perform wiring. Wiring by unauthorized or uncertified personnel may result in bodily injury and/or malfunction of the robot system.</li> </ul>
-----------------------------------------------------------------------------------------------------	---------------------------------------------------------------------------------------------------------------------------------------------------------------------------------------------------------------------------------------------------

User electrical wires and pneumatic tubes are contained in the cable unit.

#### Electrical Wires

Rated Voltage	Allowable Current	Wires	Nominal Sectional Area	Note
AC/DC30 V	1 A	15	0.211 mm <sup>2</sup>	Twist pair

		Maker	Standard	
15 pin	Suitable Connector	JAE	DA-15PF-N	(Solder type)
	Clamp Hood	JAE	DA-C8-J10-F2-1R	(Connector setscrew: #4-40 NC)

Pins with the same number, indicated on the connectors on both ends of the cables, are connected.

#### Pneumatic Tubes

Max. Usable Pneumatic Pressure	Pneumatic Tubes	Outer Diameter × Inner Diameter
0.59 MPa (6 kgf/cm <sup>2</sup> : 86 psi)	2	ø6 mm × ø4 mm
	1	ø4 mm × ø2.5 mm

Fittings for ø6 mm and ø4 mm (outer diameter) pneumatic tubes are supplied on both ends of the pneumatic tubes.

#### Common Parts

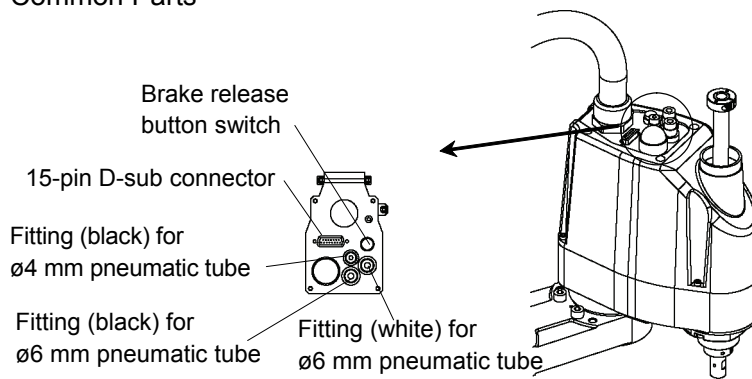
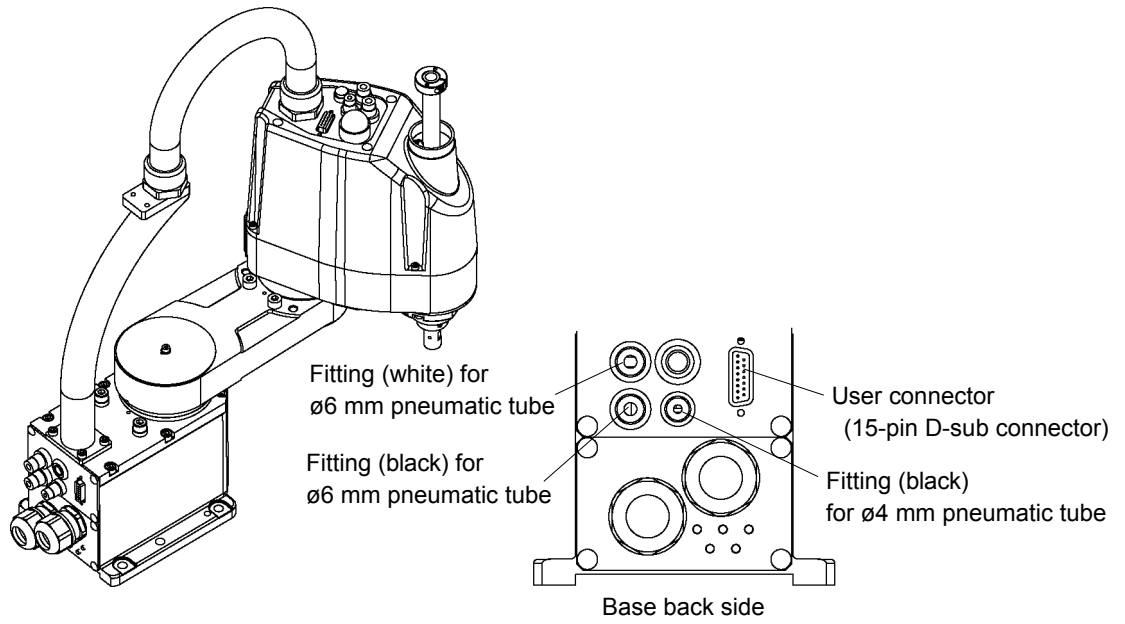
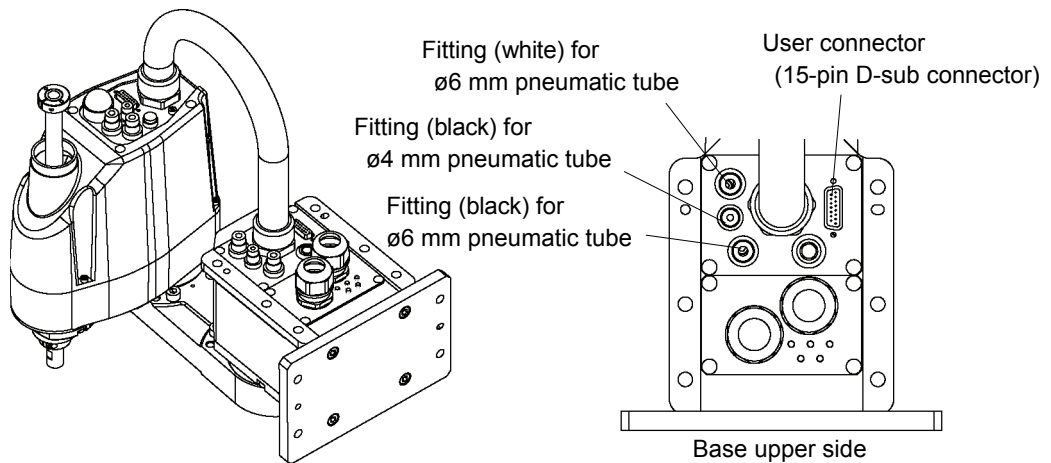


Table Top Mounting



Multiple Mounting





## 3.8 Relocation and Storage

### 3.8.1 Precautions for Relocation and Storage

Observe the following when relocating, storing, and transporting the Manipulators.

THE INSTALLATION SHALL BE PREFORMED BY QUALIFIED INSTALLATION PERSONNEL AND SHOULD CONFORM TO ALL NATIONAL AND LOCAL CODES.

 <b>WARNING</b>	<ul style="list-style-type: none"> <li>■ Only authorized personnel should perform sling work and operate a crane and a forklift. When these operations are performed by unauthorized personnel, it is extremely hazardous and may result in serious bodily injury and/or severe equipment damage to the robot system.</li> </ul>
-----------------------------------------------------------------------------------------------------	----------------------------------------------------------------------------------------------------------------------------------------------------------------------------------------------------------------------------------------------------------------------------------------------------------------------------------

 <b>CAUTION</b>	<ul style="list-style-type: none"> <li>■ Before relocating the Manipulator, fold the arm and secure it tightly with a wire tie to prevent hands or fingers from being caught in the Manipulator.</li> <li>■ When removing the anchor bolts, support the Manipulator to prevent falling. Removing the anchor bolts without support may result in a fall of the Manipulator, and then get hands, fingers, or feet caught.</li> <li>■ To carry the Manipulator, have two or more people to work on it and secure the Manipulator to the delivery equipment or hold the bottom of Arm #1, the bottom of the main cable fitting, and the bottom of the base by hand. When holding the bottom of the base by hand, be very careful not to get hands or fingers caught.</li> <li>■ Stabilize the Manipulator with your hands when hoisting it. Unstable hoisting is extremely hazardous and may result in fall of the Manipulator.</li> </ul>
-----------------------------------------------------------------------------------------------------	----------------------------------------------------------------------------------------------------------------------------------------------------------------------------------------------------------------------------------------------------------------------------------------------------------------------------------------------------------------------------------------------------------------------------------------------------------------------------------------------------------------------------------------------------------------------------------------------------------------------------------------------------------------------------------------------------------------------------------------------------------------------------------------------------------------------------------------------------------------------------------------------------------------------------------------

When transporting the Manipulator for a long distance, secure it to the delivery equipment so that the Manipulator cannot fall.

If necessary, pack the Manipulator in the same way as it was delivered.

When the Manipulator is used for a robot system again after long-term storage, perform a test run to verify that it works properly, and then operate it thoroughly.


Transport and store the Manipulator in the range of -25°C to +55°C.

Humidity within 10% to 90% is recommended.

When condensation occurs on the Manipulator during transport or storage, turn ON the power only after the condensation dries.

Do not shock or shake the Manipulator during transport.

## 3.8.2 Table Top Mounting

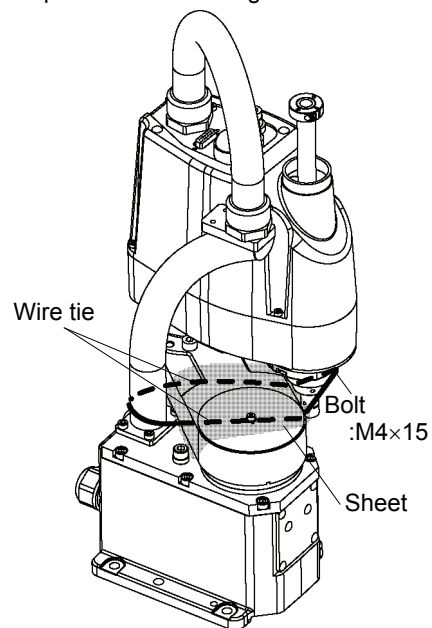
 <b>CAUTION</b>	<ul style="list-style-type: none"> <li>■ Install or relocate the Table Top Mounting Manipulator with two or more people. The Manipulator weights are as follows. Be careful not to get hands, fingers, or feet caught and/or have equipment damaged by a fall of the Manipulator. <ul style="list-style-type: none"> <li>G3-251* : approx. 14 kg: 31 lb.</li> <li>G3-301* : approx. 14 kg: 31 lb.</li> <li>G3-351* : approx. 14 kg: 31 lb.</li> </ul> </li> </ul>
-----------------------------------------------------------------------------------------------------	-------------------------------------------------------------------------------------------------------------------------------------------------------------------------------------------------------------------------------------------------------------------------------------------------------------------------------------------------------------------------------------------------------------------------------------------------------------------

- (1) Turn OFF the power on all devices and unplug the cables.

**NOTE** Remove the mechanical stops if using them to limit the motion range of Joints #1 and #2. For details on the motion range, refer to *Setup & Operation: 5.2 Motion Range Setting by Mechanical Stops*.


- (2) Cover the arm with a sheet so that the arm will not be damaged. Tie the lower end of the shaft and arm, and the base and arm together with the wire tie. Be careful not to tie them too tight. Otherwise, the shaft may bend.

Example of Arm Retaining Posture



- (3) Hold the bottom of Arm #1 by hand to unscrew the anchor bolts. Then, remove the Manipulator from the base table.

### 3.8.3 Multiple Mounting

 <b>WARNING</b>	<ul style="list-style-type: none"> <li>■ Install or relocate the Multiple Mounting Manipulator with two or more people. The Manipulator weights are as follows. Be careful not to get hands, fingers, or feet caught and/or have equipment damaged by a fall of the Manipulator.                      G3-301*M : approx. 14 kg: 31 lb.                      G3-351*M : approx. 14 kg: 31 lb.</li> <li>■ When removing the Manipulator from the wall, support the Manipulator, and then remove the anchor bolts. Removing the anchor bolts without supporting is extremely hazardous and may result in fall of the Manipulator.</li> </ul>
-----------------------------------------------------------------------------------------------------	---------------------------------------------------------------------------------------------------------------------------------------------------------------------------------------------------------------------------------------------------------------------------------------------------------------------------------------------------------------------------------------------------------------------------------------------------------------------------------------------------------------------------------------------------------------------------------------------------------------------------------------------------

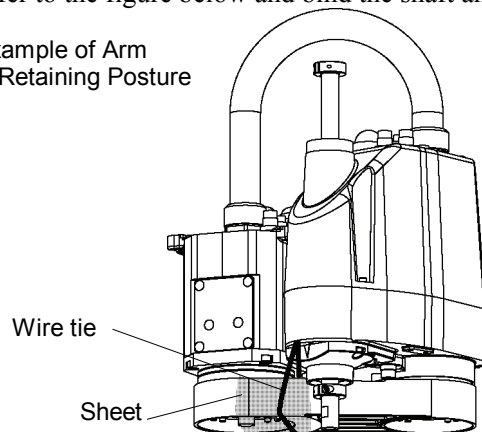
- (1) Turn OFF the power on all devices and unplug the cables.

NOTE  


Remove the mechanical stops if using them to limit the motion range of Joints #1 and #2. For details on the motion range, refer to *Setup & Operation: 5.2 Motion Range Setting by Mechanical Stops*.

- (2) Cover the arm with a sheet so that the arm will not be damaged. Refer to the figure below and bind the shaft and arm retaining bracket on the base.

Example of Arm Retaining Posture




- (3) Hold the bottom of Arm #1 by hand to unscrew the anchor bolts. Then, remove the Manipulator from the wall.



## 4. Setting of End Effectors

### 4.1 Attaching an End Effector

Users are responsible for making their own end effector(s). Before attaching an end effector, observe these guidelines.

 <b>CAUTION</b>	<ul style="list-style-type: none"> <li>■ If you use an end effector equipped with a gripper or chuck, connect wires and/or pneumatic tubes properly so that the gripper does not release the work piece when the power to the robot system is turned OFF. Improper connection of the wires and/or pneumatic tubes may damage the robot system and/or work piece as the work piece is released when the Emergency Stop switch is pressed. I/O outputs are configured at the factory so that they are automatically shut off (0) by power disconnection, the Emergency Stop switch, or the safety features of the robot system.</li> </ul>
-----------------------------------------------------------------------------------------------------	------------------------------------------------------------------------------------------------------------------------------------------------------------------------------------------------------------------------------------------------------------------------------------------------------------------------------------------------------------------------------------------------------------------------------------------------------------------------------------------------------------------------------------------------------------------------------------------------------------------------------------------

#### Shaft

- Attach an end effector to the lower end of the shaft.  
For the shaft dimensions, and the overall dimensions of the Manipulator, refer to *Setup & Operation: 2. Specifications*.
- Do not move the upper limit mechanical stop on the lower side of the shaft. Otherwise, when “Jump motion” is performed, the upper limit mechanical stop may hit the Manipulator, and the robot system may not function properly.
- Use a split muff coupling with an M4 bolt or larger to attach the end effector to the shaft.

#### Brake release button

- Joint #3 cannot be moved up/down by hand because the electromagnetic brake is applied to the joint while power to the robot system is turned OFF.

This prevents the shaft from hitting peripheral equipment in the case that the shaft is lowered by the weight of the end effector when the power is disconnected during operation, or when the motor is turned OFF even though the power is turned ON.

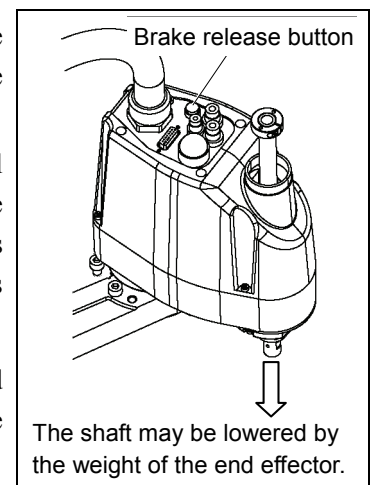
To move Joint #3 up/down while attaching an end effector, turn ON the Controller and press the brake release button.

This button switch is a momentary-type; the brake is released only while the button switch is being pressed.

- Be careful of the shaft while the brake release button is being pressed because the shaft may be lowered by the weight of the end effector.

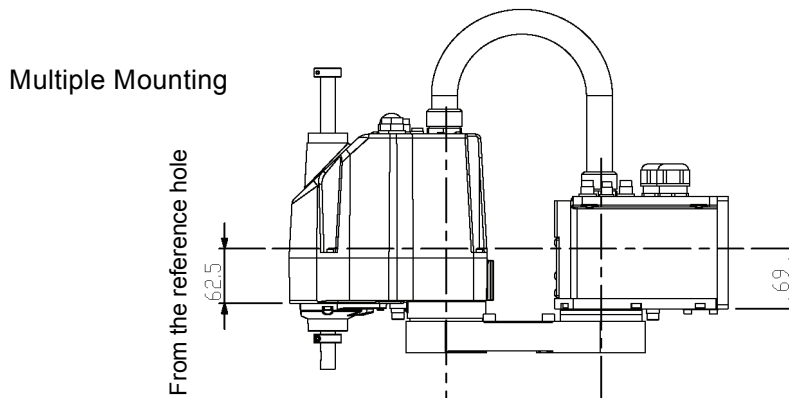
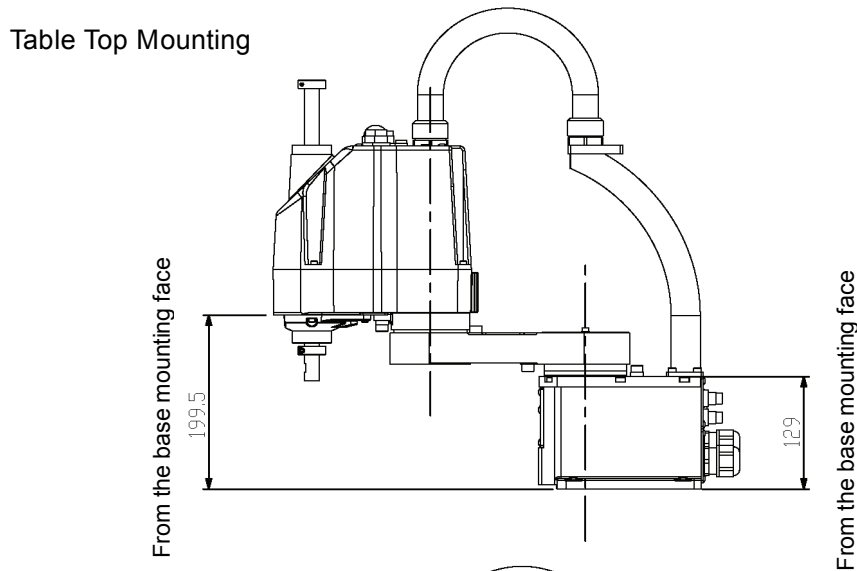
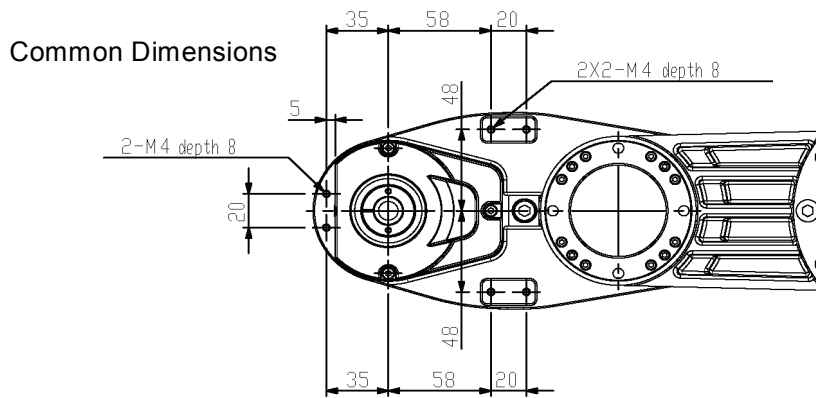
#### Layouts

- When you operate the manipulator with an end effector, the end effector may interfere with the Manipulator because of the outer diameter of the end effector, the size of the work piece, or the position of the arms. When designing your system layout, pay attention to the interference area of the end effector.



## 4.2 Attaching Cameras and Valves

Arm #2 has threaded holes as shown in the figure below. Use these holes for attaching cameras, valves, and other equipment. [Unit: mm]




## 4.3 Weight and Inertia Settings

To ensure optimum Manipulator performance, it is important to make sure that the load (weight of the end effector and work piece) and moment of inertia of the load are within the maximum rating for the Manipulator, and that Joint #4 does not become eccentric.

If the load or moment of inertia exceeds the rating or if the load becomes eccentric, follow the steps below, “4.3.1 Weight Setting” and “4.3.2 Inertia Setting” to set parameters.

Setting parameters makes the PTP motion of the Manipulator optimal, reduces vibration to shorten the operating time, and improves the capacity for larger loads. In addition, it reduces persistent vibration produced when the moment of inertia of the end effector and work piece is larger than the default setting.

### 4.3.1 Weight Setting

 <b>CAUTION</b>	<ul style="list-style-type: none"> <li>■ The total weight of the end effector and the work piece must not exceed 3 kg. The G3 series Manipulators are not designed to work with loads exceeding 3 kg. Always set the Weight parameters according to the load. Setting a value that is smaller than the actual load may cause errors, excessive shock, insufficient function of the Manipulator, and/or shorten the life cycle of parts/mechanisms.</li> </ul>
-----------------------------------------------------------------------------------------------------	---------------------------------------------------------------------------------------------------------------------------------------------------------------------------------------------------------------------------------------------------------------------------------------------------------------------------------------------------------------------------------------------------------------------------------------------------------------

The acceptable weight capacity (end effector and work piece) in G3 series is 1 kg at the default rating and 3 kg at the maximum. When the load (weight of the end effector and work piece) exceeds the rating, change the setting of Weight parameter.

After the setting is changed, the maximum acceleration/deceleration speed of the robot system at PTP motion corresponding to the “Weight Parameter” is set automatically.

#### Load on the Shaft

The load (weight of the end effector and work piece) on the shaft can be set by Weight parameter.

**EPSON  
RC+**

Enter a value into the [Load inertia:] text box on the [Inertia] panel ([Tools] - [Robot Manager]). (You may also execute the Inertia command from the [Command Window].)

#### Load on the Arm

When you attach a camera or other devices to the arm, calculate the weight as the equivalent of the shaft. Then, add this to the load and enter the total weight to the Weight parameter.

#### Equivalent Weight Formula

When you attach the equipment near Arm #2:  $W_M = M (L_1)^2 / (L_1 + L_2)^2$

When you attach the equipment to the end of Arm #2:  $W_M = M (L_M)^2 / (L_2)^2$

$W_M$  : equivalent weight

$M$  : weight of camera etc.

$L_1$  : length of Arm #1

$L_2$  : length of Arm #2

$L_M$  : distance from rotation center of Joint #2 to center of gravity of camera etc.

<Example> A “1 kg” camera is attached to the end of the G3 series arm (180 mm away from the rotation center of Joint #2) with a load weight of “1 kg”.

$M = 1$

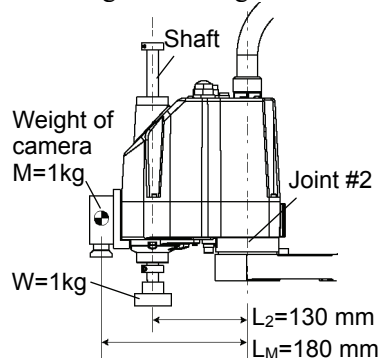
$L_2 = 130$

$L_M = 180$

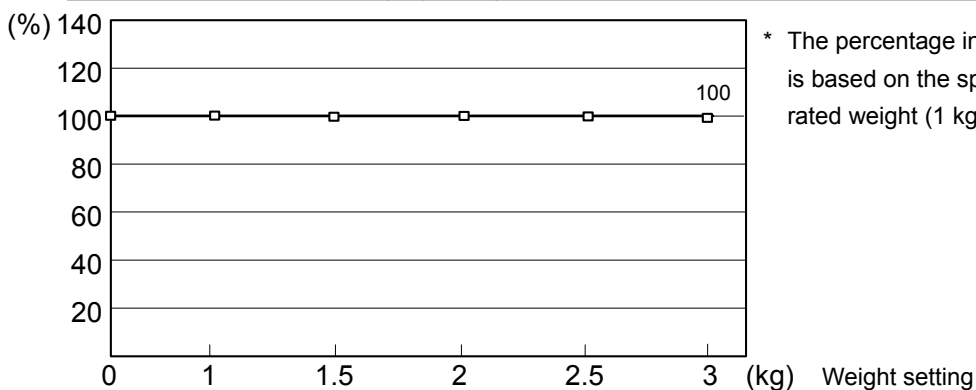
$W_M = 1 \times 180^2 / 130^2 = 1.917 \Rightarrow 1.9$  (round up)

$W + W_M = 1 + 1.9 = 2.9$

Enter “2.9” for the Weight Parameter.

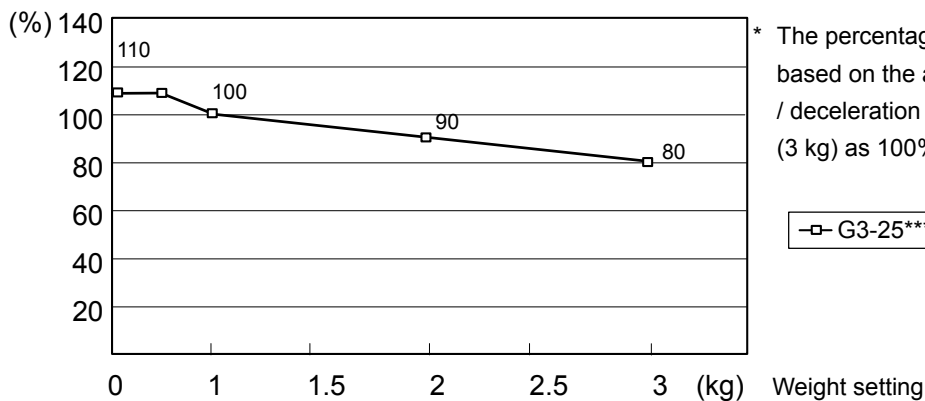


Automatic speed setting by Weight



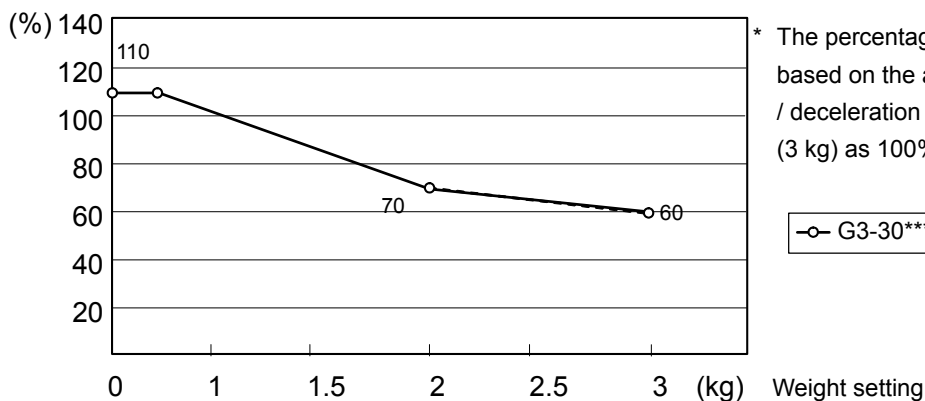
\* The percentage in the graph is based on the speed at rated weight (1 kg) as 100%.

Automatic acceleration/deceleration setting by Weight



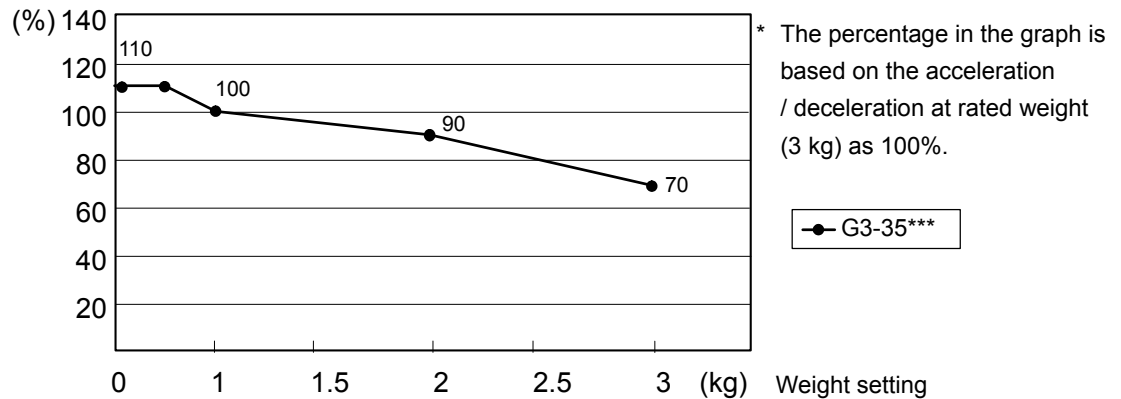
\* The percentage in the graph is based on the acceleration / deceleration at rated weight (3 kg) as 100%.

—□— G3-25\*\*\*



\* The percentage in the graph is based on the acceleration / deceleration at rated weight (3 kg) as 100%.

—○— G3-30\*\*\*



### 4.3.2 Inertia Setting

#### Moment of Inertia and the Inertia Setting

The moment of inertia is defined as “the ratio of the torque applied to a rigid body and its resistance to motion”. This value is typically referred to as “the moment of inertia”, “inertia”, or “ $GD^2$ ”. When the Manipulator operates with additional objects (such as an end effector) attached to the shaft, the moment of inertia of load must be considered.



CAUTION

- The moment of inertia of the load (weight of the end effector and work piece) must be  $0.05 \text{ kg}\cdot\text{m}^2$  or less. The G3 series Manipulators are not designed to work with a moment of inertia exceeding  $0.05 \text{ kg}\cdot\text{m}^2$ . Always set the moment of inertia parameter to the correct moment of inertia. Setting a value that is smaller than the actual moment of inertia may cause errors, excessive shock, insufficient function of the Manipulator, and/or shorten the life cycle of parts/mechanisms.

The acceptable moment of inertia of load for a G3 series Manipulator is  $0.005 \text{ kg}\cdot\text{m}^2$  at the default rating and  $0.05 \text{ kg}\cdot\text{m}^2$  at the maximum. When the moment of inertia of the load exceeds the rating, change the setting of the moment of inertia parameter of the Inertia command. After the setting is changed, the maximum acceleration/deceleration speed of Joint #4 at PTP motion corresponding to the “moment of inertia” value is set automatically.

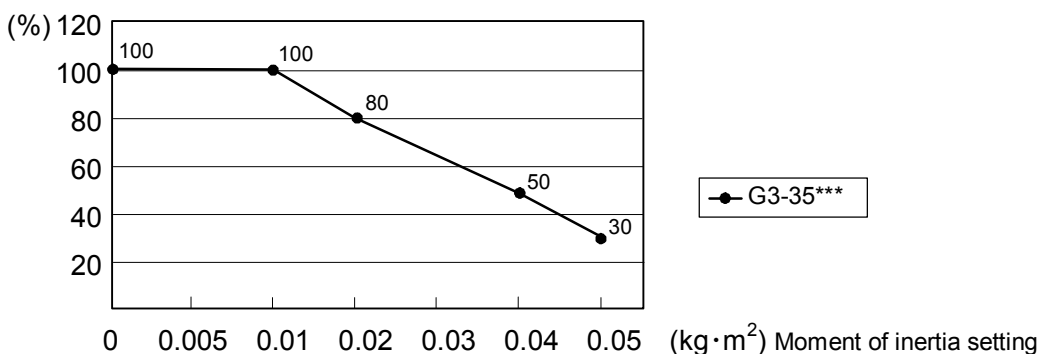
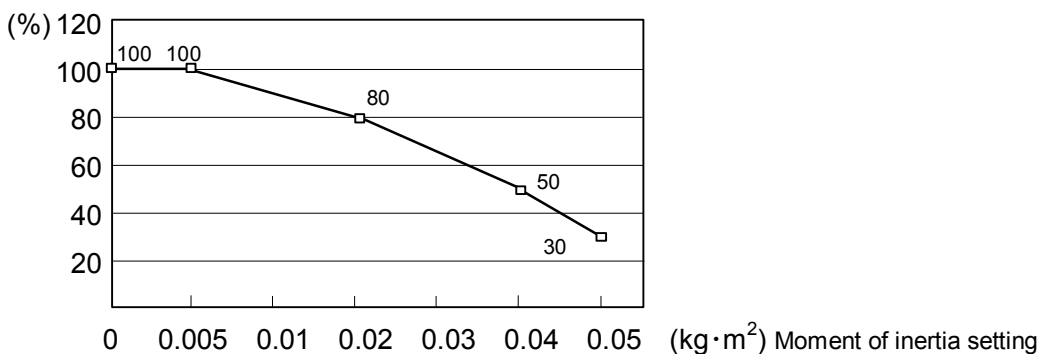
#### Moment of inertia of load on the shaft

The moment of inertia of load (weight of the end effector and work piece) on the shaft can be set by the “moment of inertia” parameter of the Inertia command.

EPSON  
RC+

Enter a value into the [Load inertia:] text box on the [Inertia] panel ([Tools] - [Robot Manager]). (You may also execute the Inertia command from the [Command Window].)

Automatic acceleration/deceleration setting of Joint #4 by Inertia (moment of inertia)



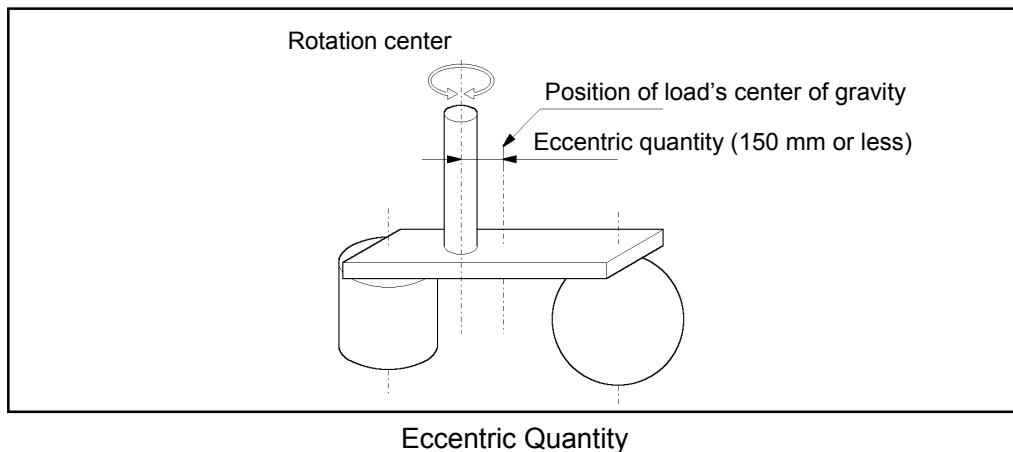
Eccentric Quantity and the Inertia Setting



CAUTION

- The eccentric quantity of load (weight of the end effector and work piece) must be 150 mm or less. The G3 series Manipulators are not designed to work with eccentric quantity exceeding 150 mm. Always set the eccentric quantity parameter according to the eccentric quantity. Setting a value that is smaller than the actual eccentric quantity may cause errors, excessive shock, insufficient function of the Manipulator, and/or shorten the life cycle of parts/mechanisms.

The acceptable eccentric quantity of load in G3 series is 0 mm at the default rating and 150 mm at the maximum. When the eccentric quantity of load exceeds the rating, change the setting of eccentric quantity parameter of Inertia command. After the setting is changed, the maximum acceleration/deceleration speed of the Manipulator at PTP motion corresponding to the “eccentric quantity” is set automatically.



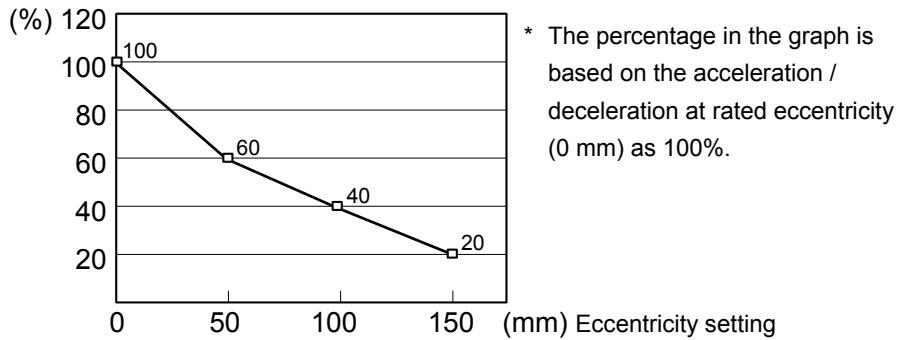
**Eccentric quantity of load on the shaft**

The eccentric quantity of load (weight of the end effector and work piece) on the shaft can be set by “eccentric quantity” parameter of Inertia command.



Enter a value into the [Eccentricity:] text box on the [Inertia] panel ([Tools] - [Robot Manager]). (You may also execute the Inertia command from the [Command Window].)

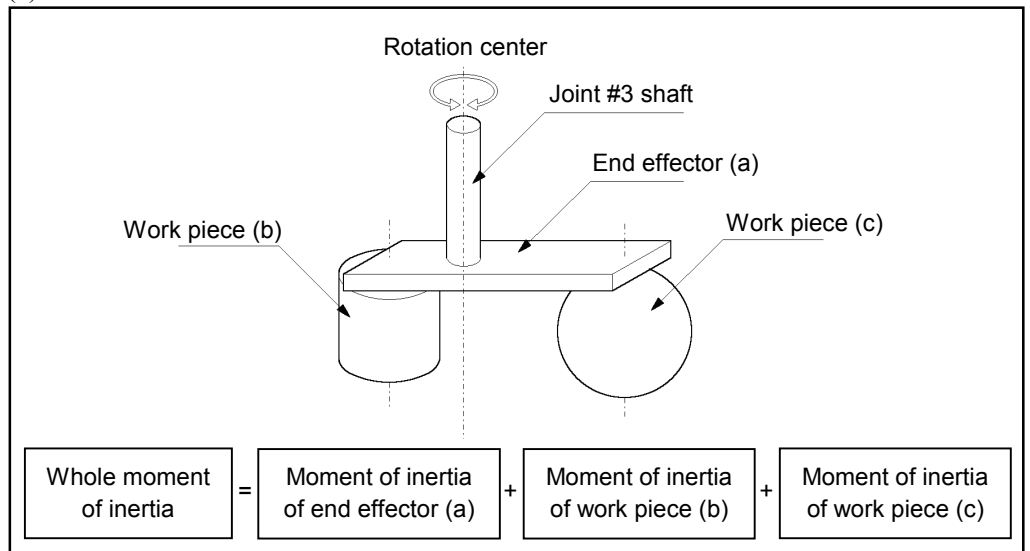
**Automatic acceleration/deceleration setting by Inertia (eccentric quantity)**



**Calculating the Moment of Inertia**

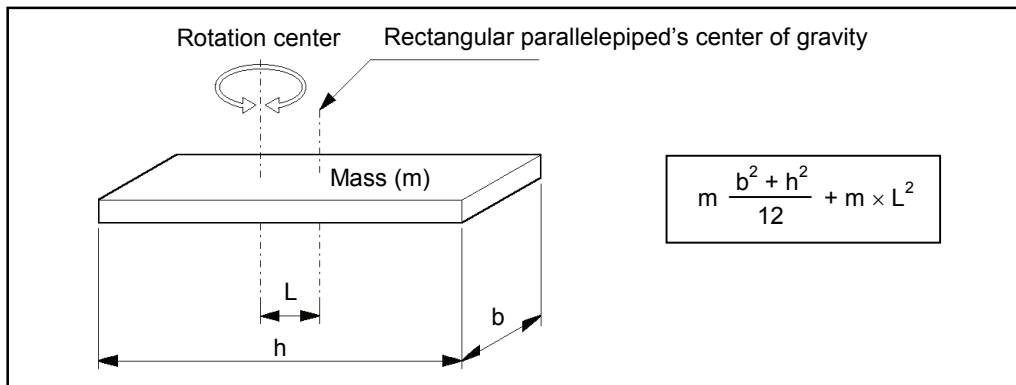
Refer to the following examples of formulas to calculate the moment of inertia of load (end effector with work piece).

The moment of inertia of the entire load is calculated by the sum of each part (a), (b), and (c).

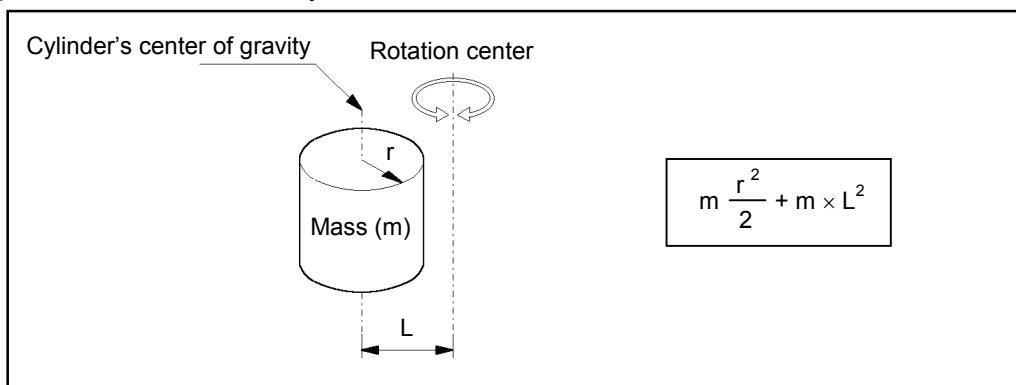


The methods for calculating the moment of inertia for (a), (b), and (c) are shown below. Calculate the total moment of inertia using the basic formulas.

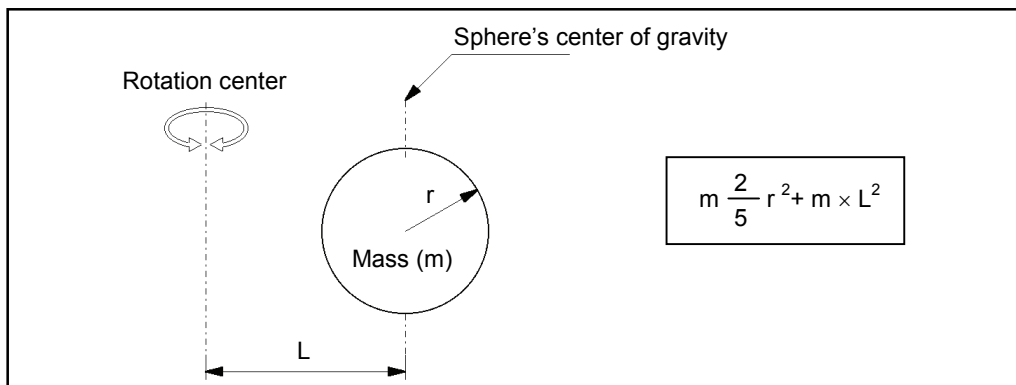
(a) Moment of inertia of a rectangular parallelepiped



(b) Moment of inertia of a cylinder



(c) Moment of inertia of a sphere





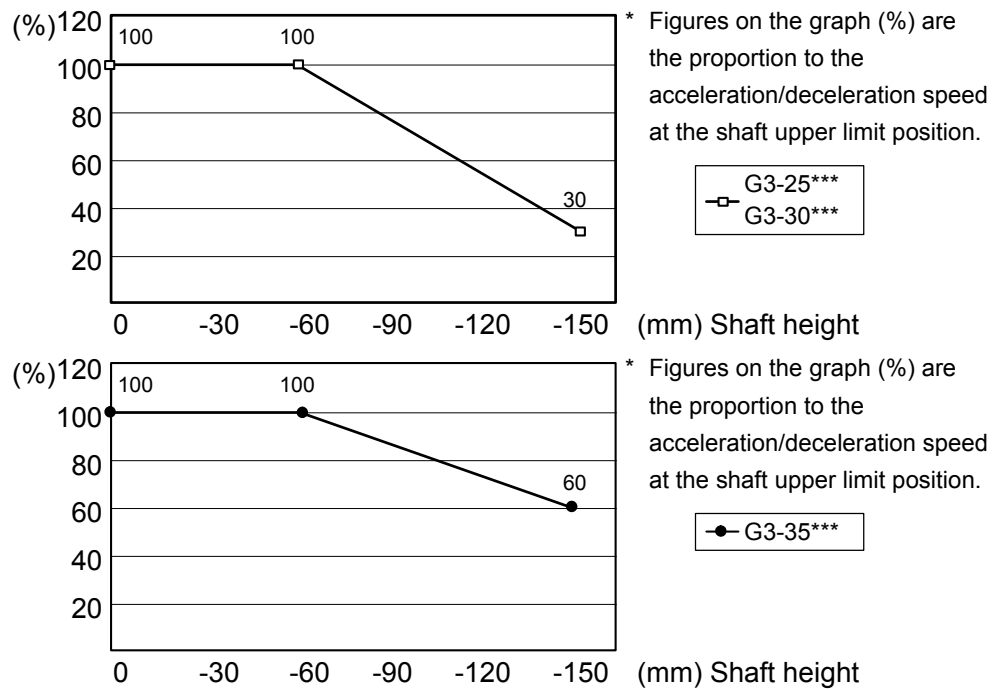
## 4.4 Precautions for Auto Acceleration/Deceleration of Joint #3

When you move the Manipulator in horizontal PTP motion with Joint #3 (Z) at a high position, the motion time will be faster.

When Joint #3 gets below a certain point, then auto acceleration/deceleration is used to reduce acceleration/deceleration. (Refer to the figure below.) The higher the position of the shaft is, the faster the motion acceleration/deceleration is. However, it takes more time to move Joint #3 up and down. Adjust the position of Joint #3 for the Manipulator motion after considering the relation between the current position and the destination position.

The upper limit of Joint #3 during horizontal motion using Jump command can be set by the LimZ command.

Automatic acceleration/deceleration vs. Joint #3 position



When moving the Manipulator horizontally while the shaft is being lowered, it may cause over-shoot at the time of final positioning.

## 5. Motion Range



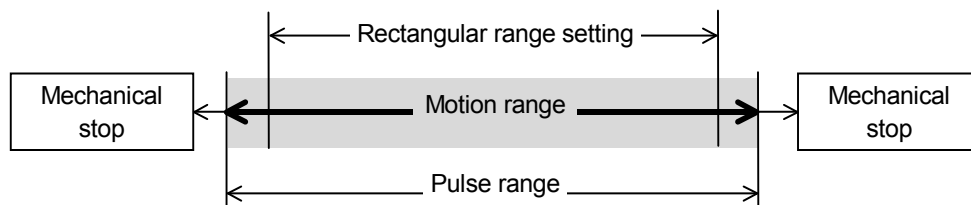
CAUTION

- When setting up the motion range for safety, both the pulse range and mechanical stops must always be set at the same time.

The motion range is preset at the factory as explained in *Setup & Operation: 5.4 Standard Motion Range*. That is the maximum motion range of the Manipulator.

There are three methods for setting the motion range described as follows:

1. Setting by pulse range (for all joints)
2. Setting by mechanical stops (for Joints #1 to #3)
3. Setting the Cartesian (rectangular) range in the X, Y coordinate system of the Manipulator (for Joints #1 and #2)



When the motion range is changed due to layout efficiency or safety, follow the descriptions in 5.1 to 5.3 to set the range.

### 5.1 Motion Range Setting by Pulse Range (for All Joints)

Pulses are the basic unit of Manipulator motion. The motion range of the Manipulator is controlled by the pulse range between the pulse lower limit and upper limit of each joint. Pulse values are read from the encoder output of the servo motor.

For the maximum pulse range, refer to the following sections.

The pulse range must be set inside of the mechanical stop range.

*5.1.1 Max. Pulse Range of Joint #1*

*5.1.2 Max. Pulse Range of Joint #2*

*5.1.3 Max. Pulse Range of Joint #3*

*5.1.4 Max. Pulse Range of Joint #4.*

NOTE



Once the Manipulator receives an operating command, it checks whether the target position specified by the command is within the pulse range before operating. If the target position is out of the set pulse range, an error occurs and the Manipulator does not move.

EPSON  
RC+

The pulse range can be set on the [Range] panel shown by selecting [Tools]-[Robot Manager]. (You may also execute the Range command from the [Command Window].)

**5.1.1 Max. Pulse Range of Joint #1**

The 0 (zero) pulse position of Joint #1 is the position where Arm #1 faces toward the positive (+) direction on the X-coordinate axis.

When the 0 pulse is a starting point, the counterclockwise pulse value is defined as the positive (+) and the clockwise pulse value is defined as the negative (-).

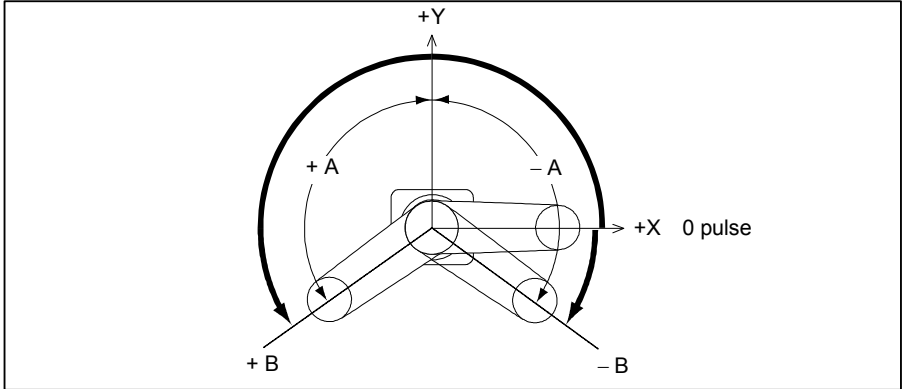


Table Top Mounting

	Arm	Standard	-R	-L
A Max. Motion Range (deg.)	25	± 140	-	-
	30		-125 ~ 150	-150 ~ 125
	35		-110 ~ 165	-165 ~ 110
B Max. Pulse Range (pulse)	25	-1456356 ~ 6699236	-	-
	30		-1019449 ~ 6990507	-1747627 ~ 6262329
	35		-582542 ~ 7427413	-2184533 ~ 5825422

Multiple Mounting

	Arm	Standard	-R	-L
A Max. Motion Range (deg.)	30	± 115	-	-
	35	± 120	-105 ~ 130	-130 ~ 105
B Max. Pulse Range (pulse)	30	-728178 ~ 5971058	-	-
	35	-873813 ~ 6116693	-436907 ~ 6407965	-1165085 ~ 5679787

**5.1.2 Max. Pulse Range of Joint #2**

The 0 (zero) pulse position of Joint #2 is the position where Arm #2 is in-line with Arm #1. With the 0 pulse as a starting point, the counterclockwise pulse value is defined as the positive (+) and the clockwise pulse value is defined as the negative (-).

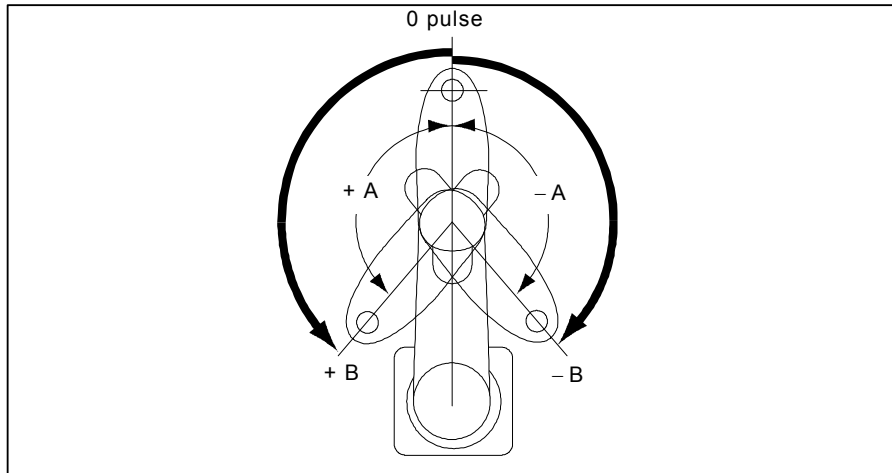


Table Top Mounting (S: Standard-model / C: Cleanroom-model)

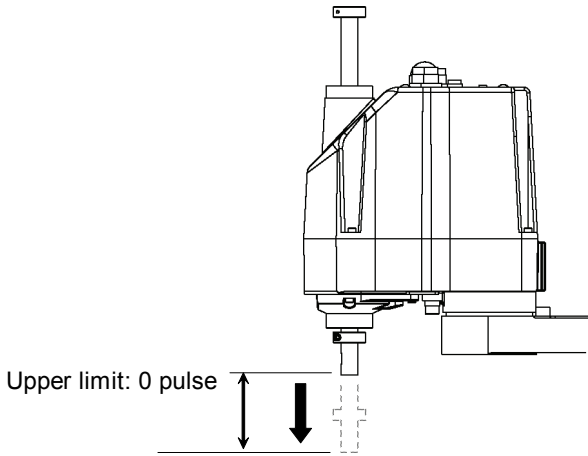
	Arm	Standard	-R	-L
A Max. Motion Range (deg.)	25	±141 / ±137	-	-
	30	±142 / ±141	-135 ~ 150 / -135 ~ 145	-150 ~ 135 / -145 ~ 135
	35	±142	-120 ~ 165 / -120 ~ 160	-165 ~ 120 / -160 ~ 120
B Max. Pulse Range (pulse)	25	-2566827 ~ 2566827 / -2494009 ~ 2494009	-	-
	30	-2585031 ~ 2585031 / -2494009 ~ 2494009	-2457600 ~ 2730667 / -2457600 ~ 2639645	-2730667 ~ 2457600 / -2639645 ~ 2457600
	35	-2585031 ~ 2585031	-2184533 ~ 3003733 / -2184533 ~ 2912711	-3003733 ~ 2184533 / -2912711 ~ 2184533

Table Top Mounting (S: Standard-model / C: Cleanroom-model)

	Arm	Standard	-R	-L
A Max. Motion Range (deg.)	30	±135	-	-
	35	±142	-120 ~ 160 / -120 ~ 150	-160 ~ 120 / -150 ~ 120
B Max. Pulse Range (pulse)	30	-2457600 ~ 2457600	-	-
	35	-2585031 ~ 2585031	-2184533 ~ 2912711 / -2184533 ~ 2730667	-2912711 ~ 2184533 / -2730667 ~ 2184533

**5.1.3 Max. Pulse Range of Joint #3**

The 0 (zero) pulse position of Joint #3 is the position where the shaft is at its upper limit. The pulse value is always negative because Joint #3 always moves lower than the 0 pulse position.



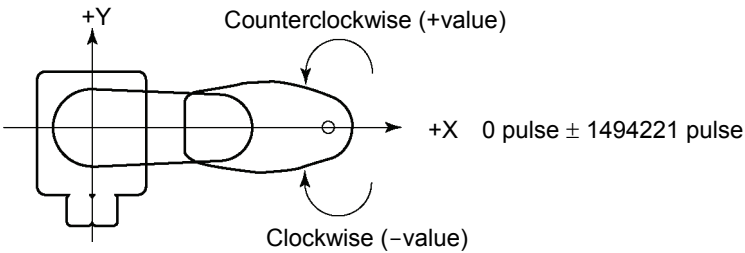
Model	Joint #3 Stroke	Lower Limit Pulse
G3-**1S*	150 mm	-1706667
G3-**1C* (Cleanroom-model)	120 mm	-1365334

NOTE

For the Cleanroom-model (G3-\*\*1C\*), the motion range set with the Joint #3 mechanical stop cannot be changed.

**5.1.4 Max. Pulse Range of Joint #4**

The 0 (zero) pulse position of Joint #4 is the position where the flat near the end of the shaft faces toward the end of Arm #2. With the 0 pulse as a starting point, the counterclockwise pulse value is defined as the positive (+) and the clockwise pulse value is defined as the negative (-).



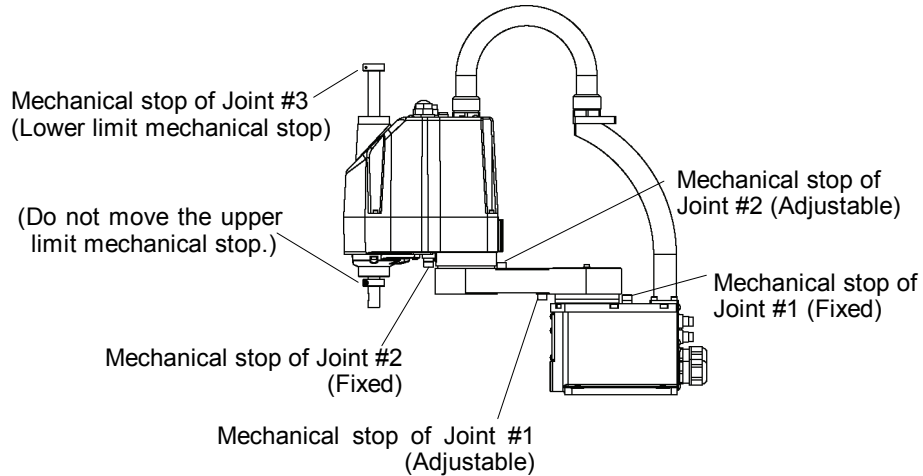
## 5.2 Motion Range Setting by Mechanical Stops

Mechanical stops physically limit the absolute area that the Manipulator can move.

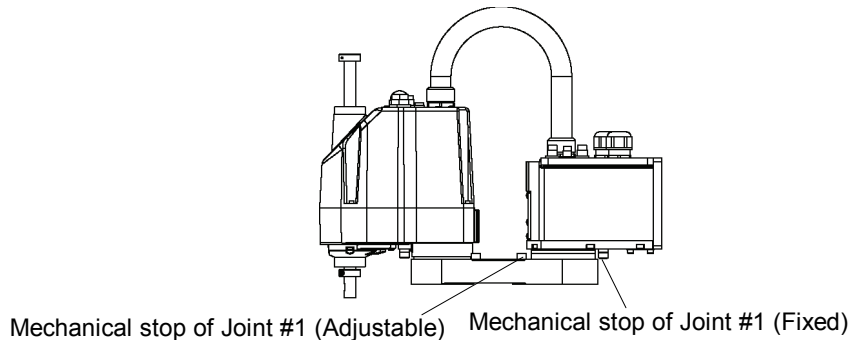
Both Joints #1 and #2 have threaded holes in the positions corresponding to the angle for the mechanical stop settings. Install the bolts in the holes corresponding to the angle that you want to set.

Joints #3 can be set to any length less than the maximum stroke.

### Table Top Mounting



### Multiple Mounting



\* The different mechanical stop positions from Table Top mounting are indicated for Multiple mounting.

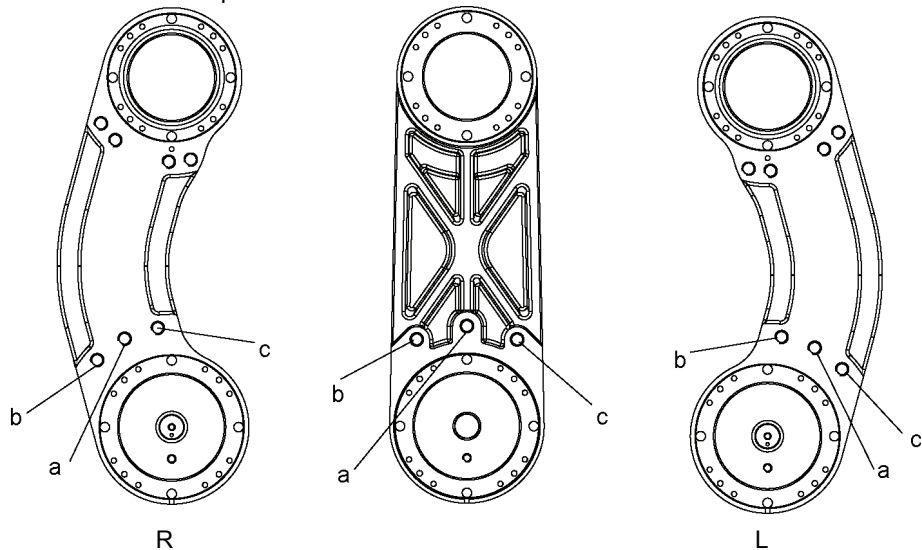
### 5.2.1 Setting the Mechanical Stops of Joints #1 and #2

Both Joints #1 and #2 have threaded holes in the positions corresponding to the angle for the mechanical stop settings. Install the bolts in the holes corresponding to the angle that you want to set.

Install the bolts for the mechanical stop of Joint #1 (adjustable) to the following position.

- Table Top mounting : Arm bottom side
- Multiple mounting : Arm top side

Joint #1 Mechanical Stops



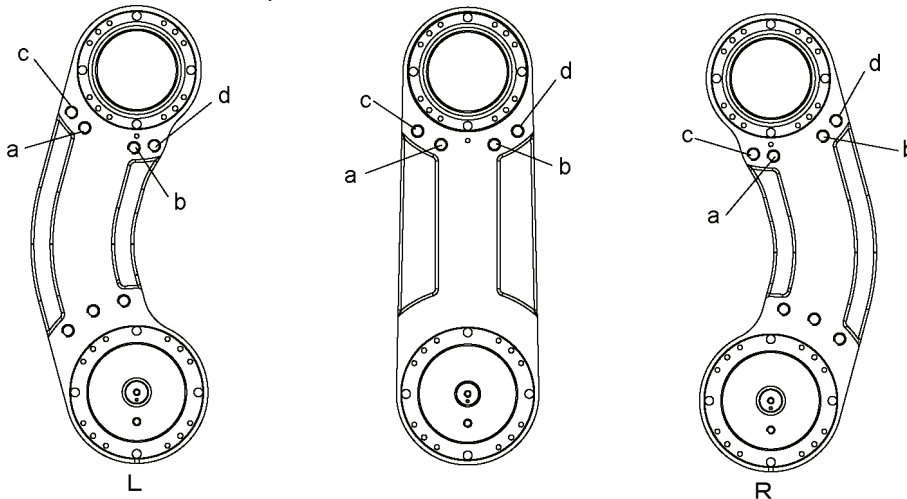
Views from the bottom of Arm #1

Model	Arm	a	b	c
G3-**1S/C	250	±140°	-110°	+110°
	300	±140°	-110°	+110°
	350	±140°	-110°	+110°
G3-**1S/C-R	300	-125° ~ +150°	-105°	+130°
	350	-110° ~ +165°	-90°	+145°
G3-**1S/C-L	300	-150° ~ +125°	-130°	+105°
	350	-165° ~ +110°	-145°	+90°
G3-**1SM/CM	300	±115°	-100°	+100°
	350	±120°	-105°	+105°
G3-351SM/CM-R	350	-105° ~ +130°	-95°	+120°
G3-351SM/CM-L	350	-130° ~ +105°	-120°	+95°

Setting Angle	+90°	+95°	+100°	+105°	+110°	+115°	+120°
Pulse Value	5242880	5388516	5534151	5679787	5825423	5971058	6116694
Setting Angle	+125°	+130°	+140°	+145°	+150°	+165°	
Pulse Value	6262329	6407965	6699236	6844872	6990507	7427414	
Setting Angle	-90°	-95°	-100°	-105°	-110°	-115	-120°
Pulse Value	0	-145636	-291271	-436907	-582542	-728178	-873813
Setting Angle	-125°	-130°	-140°	-145°	-150°	+165°	
Pulse Value	-1019449	-1165085	-1456356	-1601991	-1747627	-2184533	

(°: degree)

Joint #2 Mechanical Stops



Views from the top of Arm #1

Model	Arm	a	b	c	d
G3-**1S/C	250	+141°	-141°	+120°	-120°
	300	+142°	-142°	+120°	-120°
	350	+142°	-142°	+120°	-120°
G3-**1S/C-R	300	+150°	-135°	+130°	-115°
	350	+165°	-120°	+145°	-100°
G3-**1S/C-L	300	+135°	-150°	+115°	-130°
	350	+120°	-165°	+100°	-145°
G3-**1SM/CM	300	+135°	-135°	+115°	-115°
	350	+142°	-142°	+120°	-120°
G3-351SM/CM-R	350	+160°	-120°	+150°	-110°
G3-351SM/CM-L	350	+120°	-160°	+110°	-150°

Setting Angle	+100°	+110°	+115°	+120°	+130°	+135°
Pulse Value	1820444	2002488	2093511	2184533	2366577	2457600
Setting Angle	+141°	+142°	+145°	+150°	+160°	+165°
Pulse Value	2566826	2585031	2639644	2730666	2912711	3003733
Setting Angle	-100°	-100°	-115°	-120°	-130°	-135°
Pulse Value	-1820444	-2002488	-2093511	-2184533	-2366577	-2457600
Setting Angle	-141°	-142°	-145°	-150°	-160°	-165°
Pulse Value	-2566826	-2585031	-2639644	-2730666	-2912711	-3003733

(°: degree)



In case of Multiple Mounting, it is impossible to limit the operating range completely. Because it may hit the wall within the setting range of mechanical stops.



- (1) Turn OFF the Controller.
- (2) Install a hexagon socket head cap bolt into the hole corresponding to the setting angle, and tighten it.

Joint	Hexagon socket head cap bolt (fully threaded)	The number of bolts	Recommended tightening torque
1	M8 × 10	1 bolt / one side	3720 N·cm (380 kgf·cm)

- (3) Turn ON the Controller.
- (4) Set the pulse range corresponding to the new positions of the mechanical stops.



Be sure to set the pulse range inside the positions of the mechanical stop range.

Example: Using G3-251S\*

The angle of Joint #1 is set from -110 degrees to +110 degrees.

The angle of Joint #2 is set from -120 degrees to +120 degrees.



Execute the following commands from the [Command Window].

```
>JRANGE 1, -582542, 5825423 ' the pulse range of Joint #1
>JRANGE 2, -2184533, 2184533 ' Sets the pulse range of Joint #2
>RANGE ' Checks the setting using Range
-582542, 5825423, -2184533, 2184533, -1706667
, 0, -1494221, 1494221
```

- (5) Move the arm by hand until it touches the mechanical stops, and make sure that the arm does not hit any peripheral equipment during operation.
- (6) Operate the joint changed at low speeds until it reaches the positions of the minimum and maximum pulse range. Make sure that the arm does not hit the mechanical stops. (Check the position of the mechanical stop and the motion range you set.)

Example: Using G3-251S\*

The angle of Joint #1 is set from -110 degrees to +110 degrees.

The angle of Joint #2 is set from -120 degrees to +120 degrees.



Execute the following commands from the [Command Window].

```
>MOTOR ON 'Turns ON the motor
>CP ON 'Enters low-power mode
>SPEED 5 'Sets at low speeds
>PULSE -582542, 0, 0, 0 'Moves to the min. pulse position of Joint #1
>PULSE 5825423, 0, 0, 0 'Moves to the max. pulse position of Joint #1
>PULSE 2621440, - 2184533, 0, 0 'Moves to the min. pulse position of Joint #2
>PULSE 2621440, 2184533, 0, 0 'Moves to the max. pulse position of Joint #2
```

The Pulse command (Go Pulse command) moves all joints to the specified positions at the same time. Specify safe positions after considering motion of not only the joints whose pulse range have been changed, but also other joints.

In this example, Joint #1 is moved to the center of its motion range (pulse value: 2621440) when checking Joint #2.

If the arm is hitting the mechanical stops or if an error occurs after the arm hits the mechanical stops, either reset the pulse range to a narrower setting or extend the positions of the mechanical stops within the limit.

### 5.2.2 Setting the Mechanical Stop of Joint #3



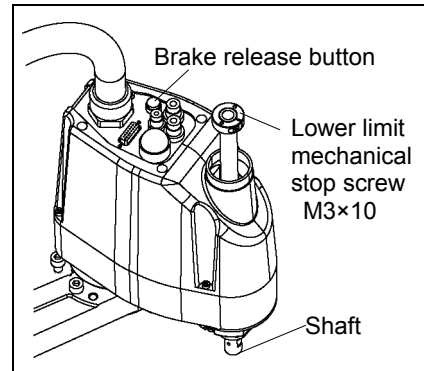
This method applies only to the Standard-model Manipulator (G3-\*\*1S\*) / Multiple Mounting Manipulator (G3-\*\*1SM).

For the Cleanroom-model (G3-\*\*1C\*), the motion range set with the Joint #3 mechanical stop cannot be changed.

(1) Turn ON the Controller and turn OFF the motors using the Motor OFF command.

(2) Push up the shaft while pressing the brake release button.

Do not push the shaft up to its upper limit or it will be difficult for the arm top cover to be removed. Push the shaft up to a position where the Joint #3 mechanical stop can be changed.



When you press the brake release button, the shaft may lower due to the weight of the end effector. Be sure to hold the shaft by hand while pressing the button.

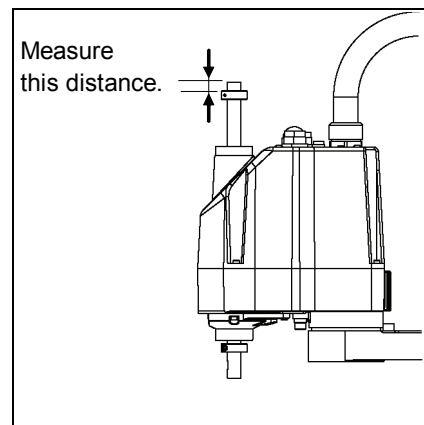
(3) Turn OFF the Controller.

(4) Loosen the lower limit mechanical stop screw (M3×10).



A mechanical stop is mounted on both the top and bottom of Joint #3. However, only the position of the lower limit mechanical stop on the top can be changed. Do not remove the upper limit mechanical stop on the bottom because the calibration point of Joint #3 is specified using the stop.

(5) The upper end of the shaft defines the maximum stroke. Move the lower limit mechanical stop down by the length you want to limit the stroke. For example, when the lower limit mechanical stop is set at “150 mm” stroke, the lower limit Z coordinate value is “-150”. To change the value to “-130”, move the lower limit mechanical stop down “20 mm”. Use calipers to measure the distance when adjusting the mechanical stop.



(6) Firmly tighten the lower limit mechanical stop screw (M3×10) not to let it enter the shaft groove.

Recommended tightening torque: 245 N·cm (25 kgf·cm)

(7) Turn ON the Controller.

- (8) Move Joint #3 to its lower limit while pressing the brake release button, and then check the lower limit position. Do not lower the mechanical stop too far. Otherwise, the joint may not reach a target position.
- (9) Calculate the lower limit pulse value of the pulse range using the formula shown below and set the value.

The result of the calculation is always negative because the lower limit Z coordinate value is negative.

<p>Lower limit of pulse (pulse)</p> $= \text{lower limit Z coordinate value (mm)} / \text{Resolution (mm/pulse)}$
-------------------------------------------------------------------------------------------------------------------

\*\* For the Joint #3 resolution,  
refer to the section *Setup & Operation 2.4 Specifications*.

EPSON  
RC+

Execute the following command from the [Command Window]. Enter the calculated value in X.

>JRANGE 3, X, 0 ' Sets the pulse range of Joint #3

- (10) Using the Pulse command (Go Pulse command), move Joint #3 to the lower limit position of the pulse range at low speed. If the mechanical stop range is less than the pulse range, Joint #3 will hit the mechanical stop and an error will occur. When the error occurs, either change the pulse range to a lower setting or extend the position of the mechanical stop within the limit.

NOTE



If it is difficult to check whether Joint #3 hits a mechanical stop, turn OFF the Controller and lift the arm top cover to check the condition causing the problem from the side.

EPSON  
RC+

Execute the following commands from the [Command Window]. Enter the value calculated in Step (10) in X.

>MOTOR ON ' Turns ON the motor

>SPEED 5 ' Sets low speed

>PULSE 0,0,X,0 ' Moves to the lower limit-pulse position of Joint #3.

(In this example, all pulses except those for Joint #3 are "0". Substitute these "0s" with the other pulse values specifying a position where there is no interference even when lowering Joint #3.)

### 5.3 Setting the Cartesian (Rectangular) Range in the XY Coordinate System of the Manipulator (for Joints #1 and #2)

Use this method to set the upper and lower limits of the X and Y coordinates.

This setting is only enforced by software. Therefore, it does not change the physical range. The maximum physical range is based on the position of the mechanical stops.

EPSON  
RC+

Set the XYLim setting on the [XYZ Limits] panel shown by selecting [Tools]-[Robot Manager].

(You may also execute the XYLim command from the [Command Window].)

### 5.4 Standard Motion Range

The following “motion range” diagrams show the standard (maximum) specification. When each Joint motor is under servo control, the center of Joint #3’s (shaft’s) lowest point moves in the areas shown in the figure.

“Area limited by mechanical stop” is the area where the center of Joint #3’s lowest point can be moved when each joint motor is not under servo control.

“Mechanical stop” sets the limited motion range so that the center of Joint #3 cannot move beyond the area mechanically.

“Maximum space” is the area that contains the farthest reach of the arms. If the maximum radius of the end effector is over 60 mm, add the “Area limited by mechanical stop” and “radius of the end effector”. The total value is specified as the maximum area.

For the motion area figures, refer to *Setup & Operation 3.3 Mounting Dimensions*.

# Maintenance

This volume contains maintenance procedures with safety precautions for G3 series Manipulators.



# 1. Safety Maintenance

Please read this chapter, this manual, and other relevant manuals carefully to understand safe maintenance procedures before performing any routine maintenance.

Only authorized personnel who have taken safety training should be allowed to maintain the robot system.

Safety training is the program for industrial robot operators that follows the laws and regulations of each nation.

The personnel who have taken safety training acquire knowledge of industrial robots (operations, teaching, etc.), knowledge of inspections, and knowledge of related rules/regulations.


The personnel who have completed the robot system-training and maintenance-training classes held by the manufacturer, dealer, or locally-incorporated company are allowed to maintain the robot system.



- Do not remove any parts that are not covered in this manual. Follow the maintenance procedure strictly as described in this manual. Improper removal of parts or improper maintenance may not only cause improper function of the robot system but also serious safety problems.
- Keep away from the Manipulator while the power is ON if you have not taken the training courses. Do not enter the operating area while the power is ON. Entering the operating area with the power ON is extremely hazardous and may cause serious safety problems as the Manipulator may move even it seems to be stopped.
- When you check the operation of the Manipulator after replacing parts, be sure to check it while you are outside of the safeguarded area. Checking the operation of the Manipulator while you are inside of the safeguarded area may cause serious safety problems as the Manipulator may move unexpectedly.
- Before operating the robot system, make sure that both the Emergency Stop switches and safeguard switch function properly. Operating the robot system when the switches do not function properly is extremely hazardous and may result in serious bodily injury and/or serious damage to the robot system as the switches cannot fulfill their intended functions in an emergency.



- To shut off power to the robot system, pull out the power plug from the power source. Be sure to connect the AC power cable to a power receptacle. DO NOT connect it directly to a factory power source.
- Before performing any replacement procedure, turn OFF the Controller and related equipment, and then pull out the power plug from the power source. Performing any replacement procedure with the power ON is extremely hazardous and may result in electric shock and/or malfunction of the robot system.

 CAUTION	<ul style="list-style-type: none"> <li>Be sure to connect the cables properly. Do not allow unnecessary strain on the cables. (Do not put heavy objects on the cables. Do not bend or pull the cables forcibly.) The unnecessary strain on the cables may result in damage to the cables, disconnection, and/or contact failure. Damaged cables, disconnection, or contact failure is extremely hazardous and may result in electric shock and/or improper function of the robot system.</li> </ul>
----------------------------------------------------------------------------------------------	-----------------------------------------------------------------------------------------------------------------------------------------------------------------------------------------------------------------------------------------------------------------------------------------------------------------------------------------------------------------------------------------------------------------------------------------------------------------------------------------------------

## 2. General Maintenance

This chapter describes maintenance inspections and procedures. Performing maintenance inspections and procedures properly is essential for preventing trouble and ensuring safety. Be sure to perform the maintenance inspections in accordance with the schedule.

### 2.1 Schedule for Maintenance Inspection

Inspection points are divided into five stages: daily, monthly, quarterly, biannual, and annual. The inspection points are added every stage. If the Manipulator is operated for 250 hours or longer per month, the inspection points must be added every 250 hours, 750 hours, 1500 hours, and 3000 hours operation.

	Inspection Point				
	Daily inspection	Monthly inspection	Quarterly inspection	Biannual inspection	Annual inspection
1 month (250 h)	Inspect every day	√			
2 months (500 h)		√			
3 months (750 h)		√	√		
4 months (1000 h)		√			
5 months (1250 h)		√			
6 months (1500 h)		√	√	√	
7 months (1750 h)		√			
8 months (2000 h)		√			
9 months (2250 h)		√	√		
10 months (2500 h)		√			
11 months (2750 h)		√			
12 months (3000 h)		√	√	√	√
13 months (3250 h) ⋮		⋮	⋮	⋮	⋮

h = hour



## 2.2 Inspection Point

### 2.2.1 Inspection While the Power is OFF (Manipulator is not operating)


Inspection Point	Inspection Place	Daily	Monthly	Quarterly	Biannual	Annual
Check looseness or backlash of bolts/screws. Tighten them if necessary. (For the tightening torque, refer to <i>Maintenance: 2.4 Tightening Hexagon Socket Head Cap Bolts.</i> )	End effector mounting bolts	√	√	√	√	√
	Manipulator mounting bolts	√	√	√	√	√
	Each arm locking bolts	√	√	√	√	√
	Bolts/screws around shaft					√
	Bolts/screws securing motors, reduction gear units, etc.					√
Check looseness of connectors. If the connectors are loosen, push it securely or tighten.	External connectors on Manipulator (on the connector plates etc.)	√	√	√	√	√
	Manipulator cable unit		√	√	√	√
Visually check for external defects. Clean up if necessary.	External appearance of Manipulator	√	√	√	√	√
	External cables		√	√	√	√
Check for bends or improper location. Repair or place it properly if necessary.	Safeguard etc.	√	√	√	√	√
Check tension of timing belts. Tighten it if necessary.	Inside of Arm #2				√	√
Grease conditions	Refer to <i>Maintenance: 2.3 Greasing.</i>					

### 2.2.2 Inspection While the Power is ON (Manipulator is operating)

Inspection Point	Inspection Place	Daily	Monthly	Quarterly	Biannual	Annual
Check motion range	Each joint					√
Move the cables back and forth lightly to check whether the cables are disconnected.	External cables (including cable unit of the Manipulator)				√	√
Push each arm in MOTOR ON status to check whether backlash exists.	Each arm					√
Check whether unusual sound or vibration occurs.	Whole	√	√	√	√	√
Measure the accuracy repeatedly by a gauge.	Whole					√


## 2.3 Greasing

The ball screw spline and reduction gear units need greasing regularly. Only use the grease specified in the following table.

 CAUTION	<ul style="list-style-type: none"> <li>Keep enough grease in the Manipulator. Operating the Manipulator with insufficient grease will damage sliding parts and/or result in insufficient function of the Manipulator. Once the parts are damaged, a lot of time and money will be required for the repairs.</li> </ul>
----------------------------------------------------------------------------------------------	------------------------------------------------------------------------------------------------------------------------------------------------------------------------------------------------------------------------------------------------------------------------------------------------------------------------

	Greasing part	Greasing Interval	Grease	Refer to:
Joint #3	Ball screw spline shaft	First time: after 50 km operation 2nd or more: after 100 km operation	AFB	<i>Maintenance: 11.1 Greasing the Ball Screw Spline Unit</i>
Joint #1 Joint #2	Reduction gear units	In the replacement of motor*	SK-1A	<i>Maintenance: 5.2 Replacing the Joint #1 Reduction Gear Unit 6.2 Replacing the Joint #2 Reduction Gear Unit</i>

\* Under normal conditions, the reduction gear units shall be greased only when the motor is replaced. However, in case of severe working conditions (such as high duty, high speeds, large payloads, etc.), the reduction gear units must be greased every 10,000 hours.

 CAUTION	<ul style="list-style-type: none"> <li>If grease gets into your eyes, mouth, or on your skin, follow the instructions below.                     <ul style="list-style-type: none"> <li>If grease gets into your eyes                             <ul style="list-style-type: none"> <li>: Flush them thoroughly with clean water, and then see a doctor immediately.</li> </ul> </li> <li>If grease gets into your mouth                             <ul style="list-style-type: none"> <li>: If swallowed, do not induce vomiting. See a doctor immediately.</li> <li>: If grease just gets into your mouth, wash out your mouth with water thoroughly.</li> </ul> </li> <li>If grease gets on your skin                             <ul style="list-style-type: none"> <li>: Wash the area thoroughly with soap and water.</li> </ul> </li> </ul> </li> </ul>
------------------------------------------------------------------------------------------------	------------------------------------------------------------------------------------------------------------------------------------------------------------------------------------------------------------------------------------------------------------------------------------------------------------------------------------------------------------------------------------------------------------------------------------------------------------------------------------------------------------------------------------------------------------------------------------------------------------------------------------------------------------------------------------------------------------------------------------------------------------------------------------------------------------------------------------------------------------------

## 2.4 Tightening Hexagon Socket Head Cap Bolts

Hexagon socket head cap bolts are used in places where mechanical strength is required. (A hexagon socket head cap bolt will be called a “bolt” in this manual.) These bolts are fastened with the tightening torques shown in the following table.

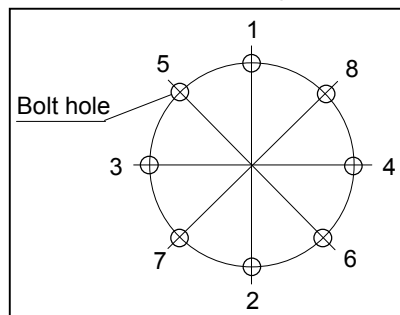
When it is necessary to refasten these bolts in some procedures in this manual (except special cases as noted), use a torque wrench so that the bolts are fastened with the appropriate tightening torques as shown below.

Bolt	Tightening Torque
M3	245 N·cm (25 kgf·cm)
M4	490 N·cm (50 kgf·cm)
M5	980 N·cm (100 kgf·cm)
M6	1,760 N·cm (180 kgf·cm)
M8	3,720 N·cm (380 kgf·cm)
M10	7,350 N·cm (750 kgf·cm)
M12	12,740 N·cm (1,300 kgf·cm)

Refer below for the set screw.

Set Screw	Tightening Torque
M4	245 N·cm (25 kgf·cm)
M5	392 N·cm (40 kgf·cm)

We recommend that the bolts aligned on a circumference should be fastened in a crisscross pattern as shown in the figure below.



Do not fasten all bolts securely at one time. Divide the number of times that the bolts are fastened into two or three and fasten the bolts securely with a hexagonal wrench. Then, use a torque wrench so that the bolts are fastened with tightening torques shown in the table above.

## 2.5 Matching Origins

After parts have been replaced (motors, reduction gear units, a brake, timing belts, a ball screw spline unit, etc.), the Manipulator cannot operate properly because a mismatch exists between the origin stored in each motor and its corresponding origin stored in the Controller. After replacing the parts, it is necessary to match these origins.

For calibration, the pulse values for a specific position must be recorded in advance. Before replacing parts, select easy point (pose) data from the registered point data to check the accuracy. Then, follow the steps below to display the pulse values and record them.

**EPSON**  
**RC+**

Execute the following command from the [Command Window].

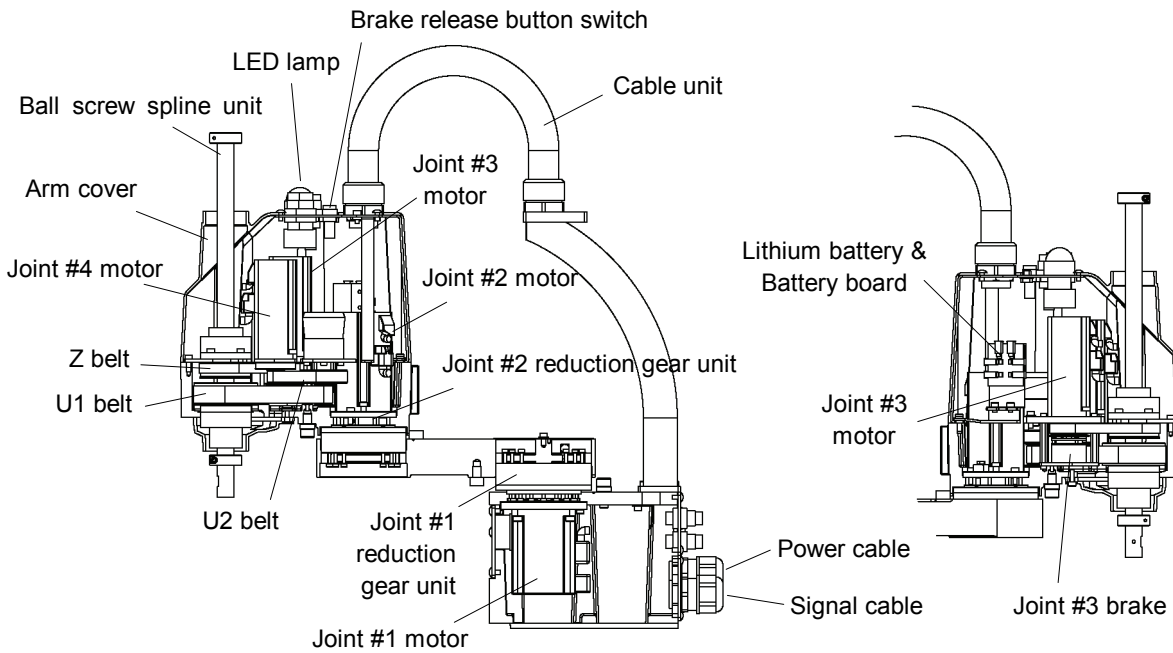
```
>PULSE
```

```
PULSE: [Joint #1 Pulse value] pls [Joint #2 Pulse value] pls [Joint #3 Pulse value]
pls [Joint #4 Pulse value] pls
```

## 2.6 Layout of Maintenance Parts

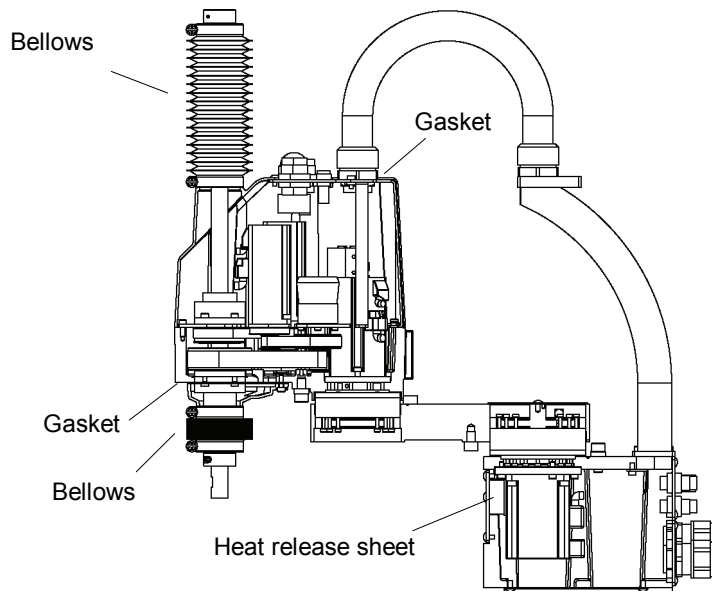
### 2.6.1 Table Top Mounting

G3-\*\*1S : Standard-model



(Figure: G3-301S)

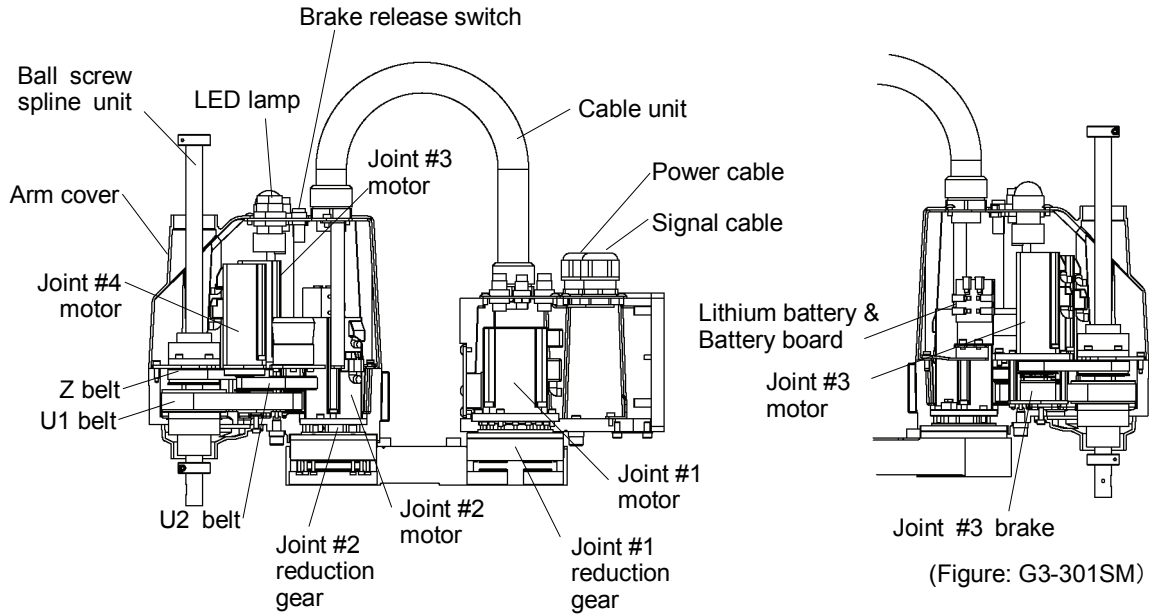
G3-\*\*1C : Cleanroom-model (with bellows)



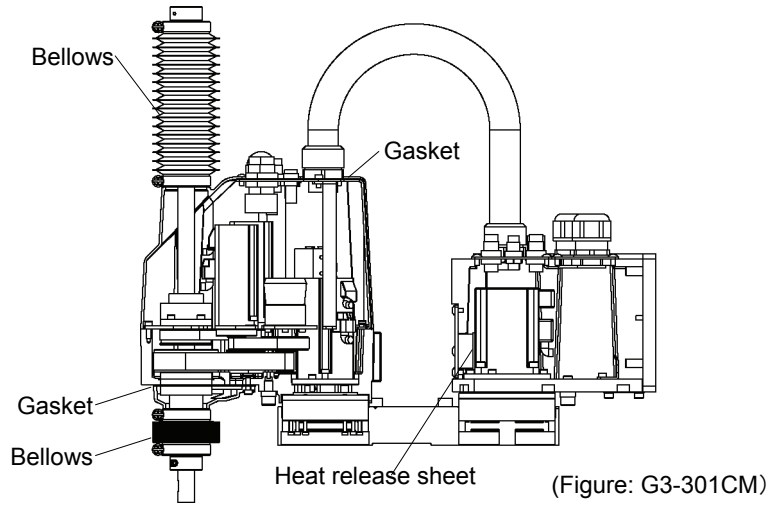
(Figure: G3-301C)

2.6.2 Multiple Mounting

G3-\*\*1SM : Standard-model




G3-\*\*1CM : Cleanroom-model (with bellows)



### 3. Covers

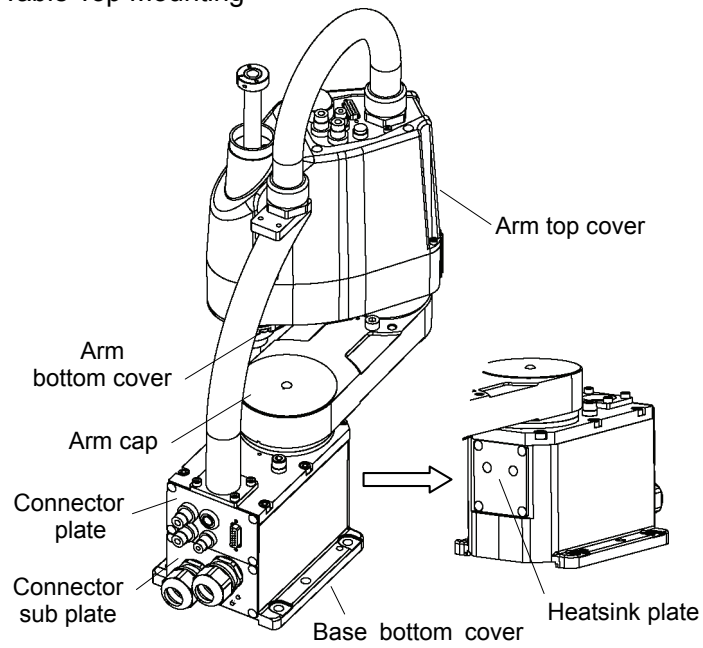
All procedures for removing and installing covers in maintenance are described in this chapter.

 <b>WARNING</b>	<ul style="list-style-type: none"> <li>■ Do not insert or pull out the motor connectors while the power to the robot system is turned ON. Inserting or pulling out the motor connectors with the power ON is extremely hazardous and may result in serious bodily injury as the Manipulator may move abnormally, and also may result in electric shock and/or malfunction of the robot system.</li> <li>■ To shut off power to the robot system, pull out the power plug from the power source. Be sure to connect the AC power cable to a power receptacle. DO NOT connect it directly to a factory power source.</li> <li>■ Before performing any replacement procedure, turn OFF the Controller and related equipment, and then pull out the power plug from the power source. Performing any replacement procedure with the power ON is extremely hazardous and may result in electric shock and/or malfunction of the robot system.</li> <li>■ Be careful not to get any foreign substances in the Manipulator, connectors, and pins during maintenance. Turning ON the power to the robot system when any foreign substances exist in them is extremely hazardous and may result in electric shock and/or malfunction of the robot system.</li> </ul>
-----------------------------------------------------------------------------------------------------	-------------------------------------------------------------------------------------------------------------------------------------------------------------------------------------------------------------------------------------------------------------------------------------------------------------------------------------------------------------------------------------------------------------------------------------------------------------------------------------------------------------------------------------------------------------------------------------------------------------------------------------------------------------------------------------------------------------------------------------------------------------------------------------------------------------------------------------------------------------------------------------------------------------------------------------------------------------------------------------------------------------------------------------------------------------------------------------------------------------------------------------------------------------------------------------------------------------------------------------------------------------

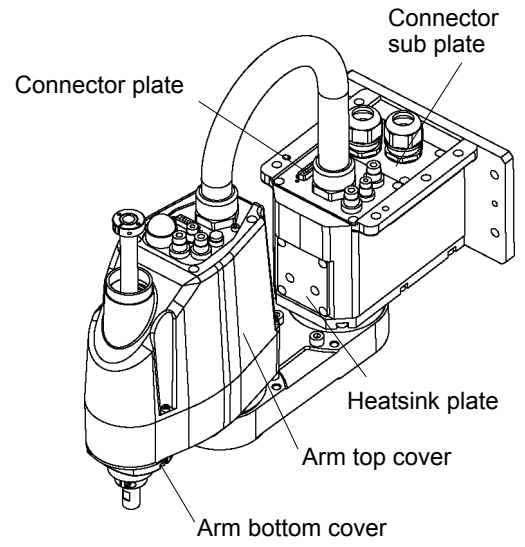
Maintenance Parts and Tools

	Name	Quantity	Note
Maintenance parts	Under cover gasket	1	R13B031226 : Only for Cleanroom-model
	Silicon adhesive (for the gasket on the Connector Plate)	1	R13B031227 : Only for Cleanroom-model
Tools	Hexagonal wrench (width across flats: 3 mm)	1	For M4 screw
	Torque wrench	1	
	Cross-point screwdriver	1	For M4 truss screw For bellows removal (Only for Cleanroom-model)
	Wiping cloth	1	For wiping adhesive


Table Top Mounting



Multiple Mounting




### 3.1 Arm Top Cover

 CAUTION	<ul style="list-style-type: none"> <li>■ Do not remove the arm top cover forcibly. Removing the cover forcibly may result in damage to the cables, disconnection, and/or contact failure. Damaged cables, disconnection, or contact failure is extremely hazardous and may result in electric shock and/or improper function of the robot system.</li> <li>■ When installing the cover, be careful not to allow the cables to interfere with the cover mounting and do not bend these cables forcibly to push them into the cover. Unnecessary strain on cables may result in damage to the cables, disconnection, and/or contact failure. Damaged cables, disconnection, or contact failure is extremely hazardous and may result in electric shock and/or improper function of the robot system.</li> </ul> <p>When routing the cables, observe the cable locations after removing the cover. Be sure to place the cables back to their original locations.</p>
----------------------------------------------------------------------------------------------	-------------------------------------------------------------------------------------------------------------------------------------------------------------------------------------------------------------------------------------------------------------------------------------------------------------------------------------------------------------------------------------------------------------------------------------------------------------------------------------------------------------------------------------------------------------------------------------------------------------------------------------------------------------------------------------------------------------------------------------------------------------------------------------------------------------------------------------------------------------------------------------------------------------------------------------------------------------------


**Arm Top Cover Removal**

- (1) Turn ON the Controller.
- (2) Press and hold the brake release button switch to let the shaft down. Be sure to keep enough space and prevent the end effector hitting any peripheral equipment.

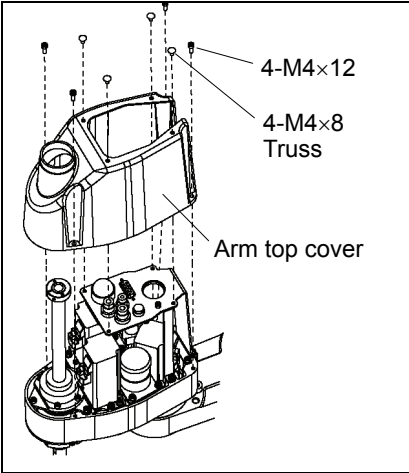
**NOTE**  The brake release button switch affects only Joint #3. When the brake release button switch is pressed, the brake for Joint #3 is released simultaneously.

Be careful of the shaft while the brake release button switch is being pushed because it may be lowered by the weight of an end effector.

- (3) Turn OFF the Controller.
- (4) Unscrew the arm top cover mounting bolts, and then lift the cover.

**NOTE**  When bellows are installed to the manipulator, remove the upper bellows and then remove the arm top cover. For bellows removal, refer to *Maintenance 10. Bellows*.

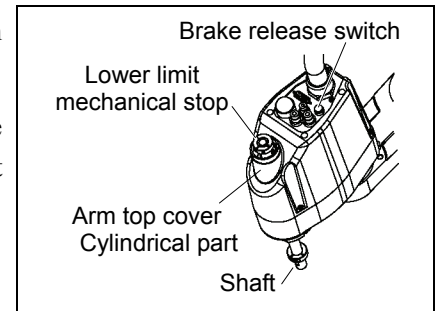
Be careful for user wires and tubes when removing the cover.





**Arm Top Cover Installation** (1) Set the arm top cover to the arm and secure with the arm top cover mounting bolts.

After mounting the arm top cover, make sure that the lower limit mechanical stop does not touch the cylindrical part of the arm top cover.



(2) When bellows are installed to the manipulator, install the arm top cover and then install the upper bellows.

For bellows installation, refer to *Maintenance 10. Bellows*.

## 3.2 Arm Bottom Cover

Unscrew the arm bottom cover mounting bolts, and then pull the cover downward and remove it.



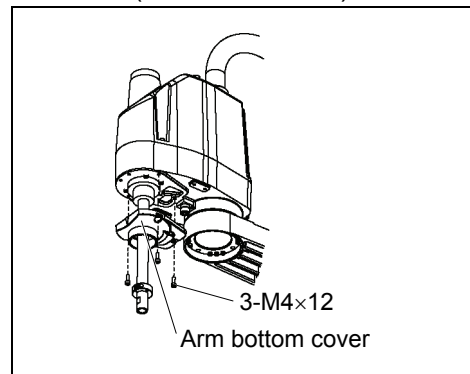
The arm bottom cover may not be removed from the shaft because the end effector is installed.

If it is necessary to remove the cover completely (for replacement of the ball screw spline unit etc.), remove the end effector.

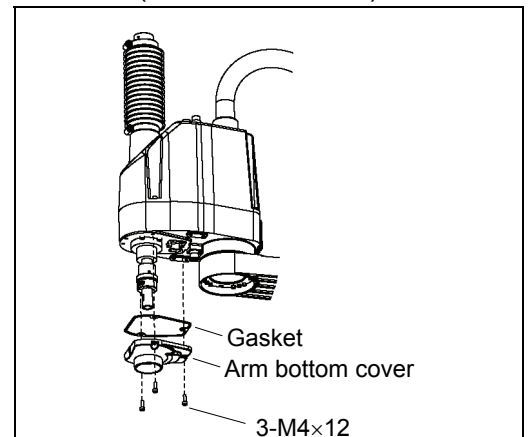
If it is not necessary to remove the cover completely, move the shaft to the lower limit, and lower the arm bottom cover. Then, perform maintenance or inspection.

When bellows are installed to the manipulator, remove or pull down the lower bellows and then remove the arm bottom cover. For bellows removal, refer to *Maintenance 10. Bellows*.

G3-\*\*1S\* (Standard-model)



G3-\*\*1C\* (Cleanroom-model)



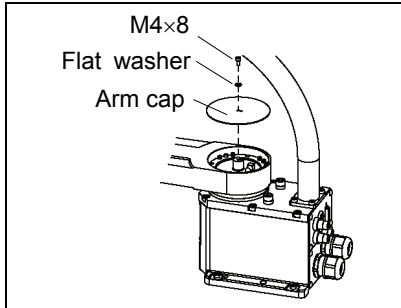
A gasket is installed to G3-\*\*1C\* (Cleanroom-model).

### 3.3 Arm Cap

Unscrew the arm cap mounting bolts and remove the cover.

Arm cap is not installed to the Multiple Mounting Manipulators.

G3-\*\*1 Table Top Mounting



### 3.4 Connector Plate

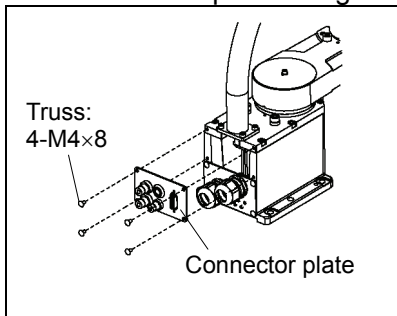


CAUTION

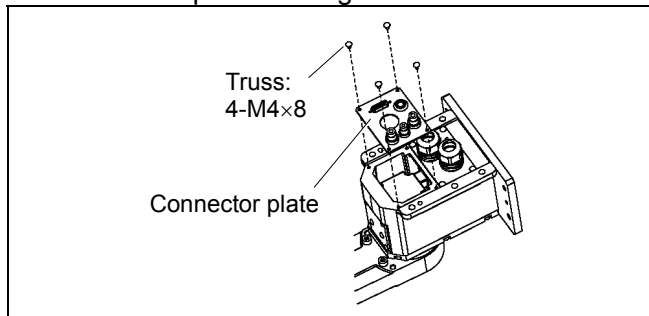
- Do not remove the connector plate forcibly. Removing the connector plate forcibly may result in damage to the cables, disconnection, and/or contact failure. Damaged cables, disconnection, or contact failure is extremely hazardous and may result in electric shock and/or improper function of the robot system.
- When installing the connector plate, be careful not to allow the cables to interfere with the plate mounting and do not bend these cables forcibly to push them into the cover. Unnecessary strain on cables may result in damage to the cables, disconnection, and/or contact failure. Damaged cables, disconnection, or contact failure is extremely hazardous and may result in electric shock and/or improper function of the robot system. When routing the cables, observe the cable locations after removing the connector plate. Be sure to place the cables back to their original locations.

Unscrew the connector plate mounting bolts and remove the plate.

G3-\*\*1\* Table Top Mounting



G3-\*\*1\*M Multiple Mounting



### 3.5 Connector Sub Plate

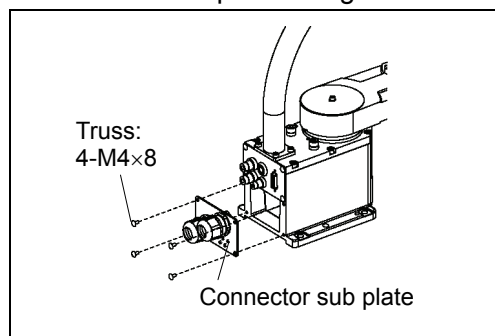


CAUTION

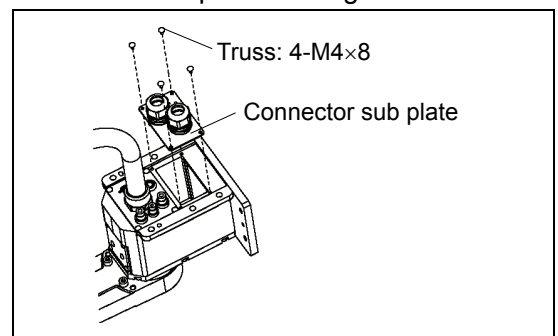
- Do not remove the connector sub plate forcibly. Removing the connector sub plate forcibly may result in damage to the cables, disconnection, and/or contact failure. Damaged cables, disconnection, or contact failure is extremely hazardous and may result in electric shock and/or improper function of the robot system.
- When installing the connector sub plate, be careful not to allow the cables to interfere with the plate mounting and do not bend these cables forcibly to push them into the cover. Unnecessary strain on cables may result in damage to the cables, disconnection, and/or contact failure. Damaged cables, disconnection, or contact failure is extremely hazardous and may result in electric shock and/or improper function of the robot system. When routing the cables, observe the cable locations after removing the connector sub plate. Be sure to place the cables back to their original locations.

Unscrew the connector sub plate mounting bolts and remove the plate.

G3-\*\*1\* Table Top Mounting



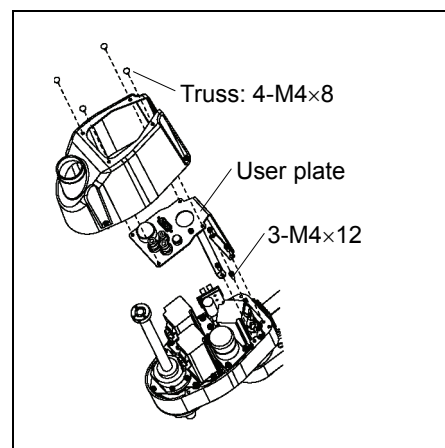
G3-\*\*1\*M Multiple Mounting



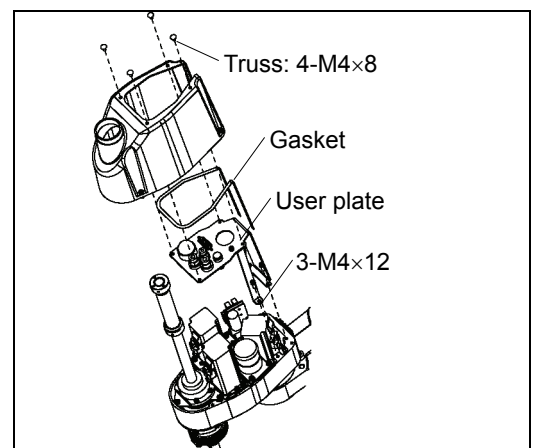
### 3.6 User Plate

Unscrew the user plate mounting bolts and remove the plate.

G3-\*\*1S\* Standard-model



G3-\*\*1C\* Cleanroom-model

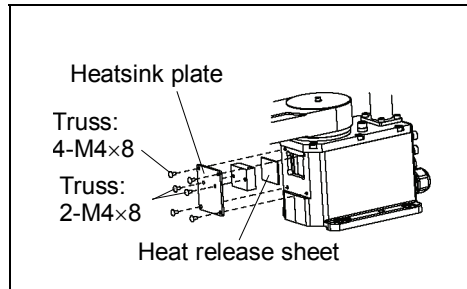


A gasket is installed to G3-\*\*1C\* (Cleanroom-model).

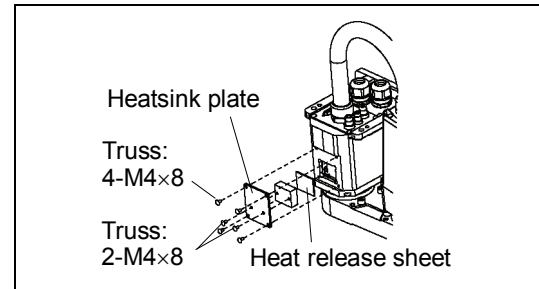
### 3.7 Heatsink Plate

Unscrew the heatsink plate mounting bolts to remove the plate.

#### G3-\*\*1\* Table Top Mounting



#### G3-\*\*1\*M Multiple Mounting



Be careful of the Heat release sheet at the side of the Motor, and be sure to keep it.

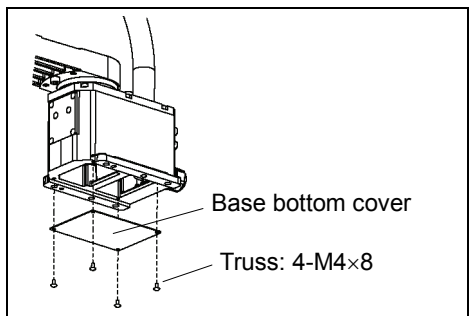


NOTE Be careful when you mount the Heatsink plate without the Heat release sheet, it may cause the malfunction or break by the heat from the Motor.

### 3.8 Base Bottom Cover

Unscrew the base bottom cover mounting bolts and remove the cover.

#### G3-\*\*1C\* Cleanroom-model



NOTE A base bottom cover is not installed to G3-\*\*1S\* (Standard-model).

## 4. Cable Unit



WARNING

- Do not insert or pull out the motor connectors while the power to the robot system is turned ON. Inserting or pulling out the motor connectors with the power ON is extremely hazardous and may result in serious bodily injury as the Manipulator may move abnormally, and also may result in electric shock and/or malfunction of the robot system.
- To shut off power to the robot system, pull out the power plug from the power source. Be sure to connect the AC power cable to a power receptacle. DO NOT connect it directly to a factory power source.
- Before performing any replacement procedure, turn OFF the Controller and related equipment, and then pull out the power plug from the power source. Performing any replacement procedure with the power ON is extremely hazardous and may result in electric shock and/or malfunction of the robot system.
- Be careful not to get any foreign substances in the Manipulator, connectors, and pins during maintenance. Turning ON the power to the robot system when any foreign substances exist in them is extremely hazardous and may result in electric shock and/or malfunction of the robot system.



CAUTION

- Be sure to connect the cables properly. Do not allow unnecessary strain on the cables. (Do not put heavy objects on the cables. Do not bend or pull the cables forcibly.) The unnecessary strain on the cables may result in damage to the cables, disconnection, and/or contact failure. Damaged cables, disconnection, or contact failure is extremely hazardous and may result in electric shock and/or improper function of the robot system.

## 4.1 Replacing Cable Unit

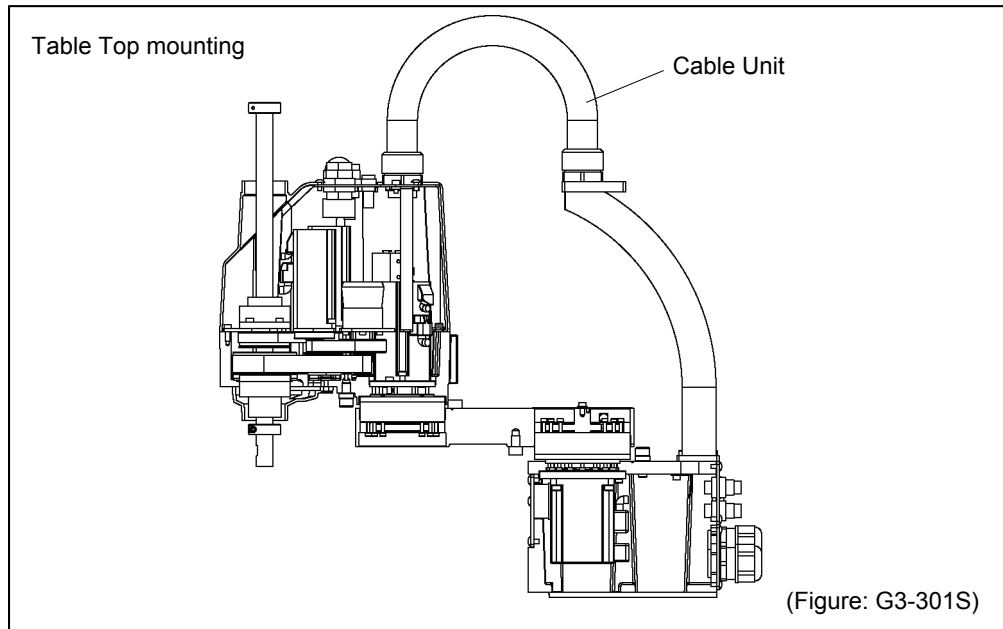
Since the power is supplied to each motor from the lithium battery installed on the battery board via the battery connector, the position data will not be lost when the Controller is turned OFF. When the battery connectors are disconnected, the position data will be lost, and EPSON RC+ will display an error when the Controller is turned ON.

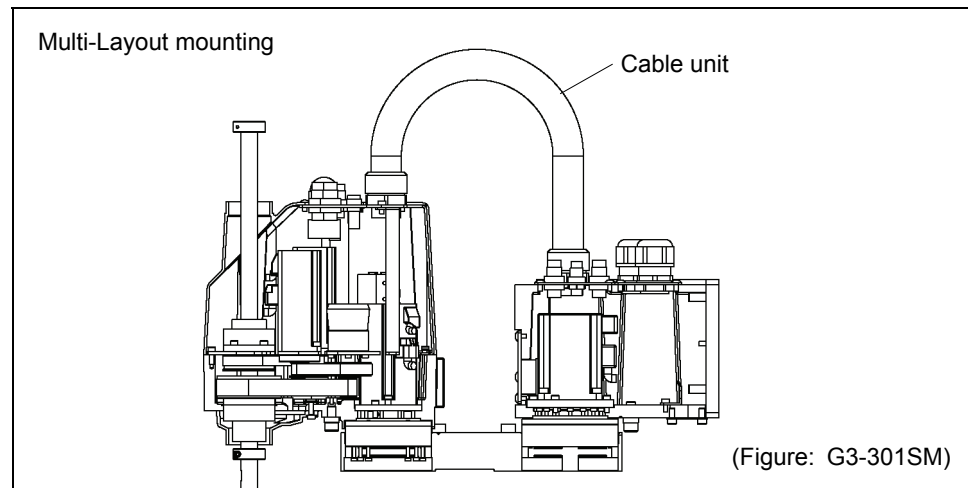
If the error occurs, execute the calibration of all joints and axes.

For details, refer to *Maintenance: 14. Calibration*.

### Maintenance parts, Tools and Materials

	Name	Quantity	Note
Maintenance parts	Cable unit	1	Each manipulator model (Refer to <i>Maintenance: 15. Maintenance parts</i> )
	Battery Unit (Lithium battery)	1	R13ZA00600300
Tools	Hexagonal wrench (width across flats: 3 mm)	1	For M4 screw
	Hexagonal wrench (width across flats: 4 mm)	1	For M5 screw
	Spanner (width across flats: 5 mm)	1	For D-sub connector removal
	Nut screwdriver (width across flats: 5 mm)	1	For D-sub connector removal
	Torque wrench	1	
	Nippers	1	For cutting wire tie
Material	Wire tie	9	





## CAUTION

- If the connectors have been disconnected during the replacement of the cable unit, be sure to reconnect the connectors to their proper positions. Refer to the block diagrams.  
Improper connection of the connectors may result in improper function of the robot system.  
For details on the connections, refer to *Maintenance: 4.2 Wiring Diagrams*.
- When installing the cover, be careful not to allow the cables to interfere with the cover mounting and do not bend these cables forcibly to push them into the cover. Unnecessary strain on cables may result in damage to the cables, disconnection, and/or contact failure. Damaged cables, disconnection, or contact failure is extremely hazardous and may result in electric shock and/or improper function of the robot system.  
When routing the cables, observe the cable locations after removing the cover. Be sure to place the cables back to their original locations.
- Be sure to connect the cables properly. Do not allow unnecessary strain on the cables. (Do not put heavy objects on the cables. Do not bend or pull the cables forcibly.) The unnecessary strain on the cables may result in damage to the cables, disconnection, and/or contact failure. Damaged cables, disconnection, or contact failure is extremely hazardous and may result in electric shock and/or improper function of the robot system.

Cable unit  
Removal

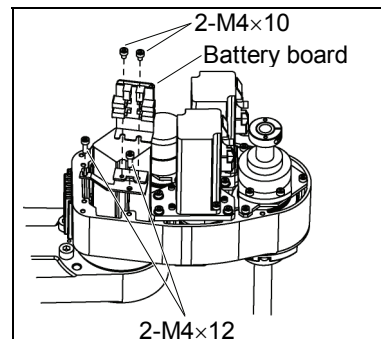
- (1) Turn ON the Controller and change the motor to OFF status (MOTOR OFF).
- (2) Press and hold the brake release button switch to let the shaft down. Be sure to keep enough space and prevent the end effector hitting any peripheral equipment.  
  
The brake release button switch affects only Joint #3. When the brake release button switch is pressed, the brake for Joint #3 is released simultaneously.  
  
Be careful of the shaft while the brake release button switch is being pushed because it may be lowered by the weight of an end effector.
- (3) Turn OFF the Controller and disconnect the power cable and signal cable connectors from the controller.
- (4) Remove the connector plate.  
For details, refer to *Maintenance: 3.4 Connector Plate*.
- (5) Remove the connector sub plate.  
For details, refer to *Maintenance: 3.5 Connector Sub Plate*.
- (6) Connect the spare battery to the spare battery connector (XB11) of Joint #1 signal cable.
  - Use the battery unit as the spare battery.
  - The position of Joint #1 motor is stored with the battery on Arm #2/  
Connect the spare battery otherwise the Joint #1 position data will be lost.
- (7) Disconnect the air tubes, ground wire, D-sub cable, and seven connectors (X10, X20, X30, X111, X121, X131, XB10) connected to the connector plate and connector sub plate (inner side).



- Be sure to keep the connectors of the battery board connected at cables replacement. Otherwise, the motor will lose position data and the calibration must be executed again.
- Remember the cable layout so that the cables can be reconnected correctly after replacement.

- (8) Cut off one wire tie binding Base side cables.
- (9) Remove the arm top cover.  
For details, refer to *Maintenance: 3.1 Arm Top Cover*.
- (10) Remove the Battery board.
- (11) Loosen the mounting screws for the User plate and remove the plate from the Arm #2.

At this point, the ground is removed with the plate.





- (12) Disconnect 11 connectors on the Arm side.

X21, X22, X31, X32, X33, X41, X42, X61, X221, X231, X241

NOTE



X61 is connected to the battery board.

Be sure to keep the connectors of the battery board connected at cables replacement. Otherwise, the Joint #2, #3, and #4 motors will lose position data and the calibration must be executed again.

- (13) Disconnect the D-sub cable, air tubes, and connector of the brake release button switch from the user plate.

NOTE



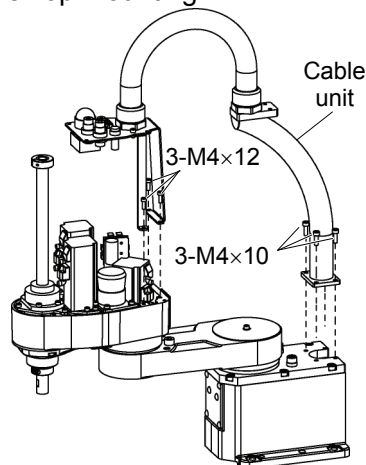
Mounting screws for the D-sub cable are very small. Be sure to keep the screws.

Press the ring on the fitting and pull out the air tube. ( $\phi 6 \times 2$ ,  $\phi 4 \times 2$ )

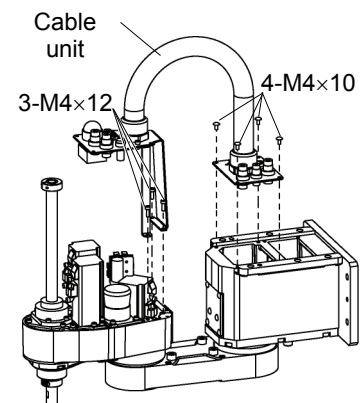
Be sure to observe the connection for connecting the disconnected parts after replacement.

- (14) Remove the mounting screws for the cable unit and remove the unit from the Manipulator.

Table Top Mounting



Multiple Mounting

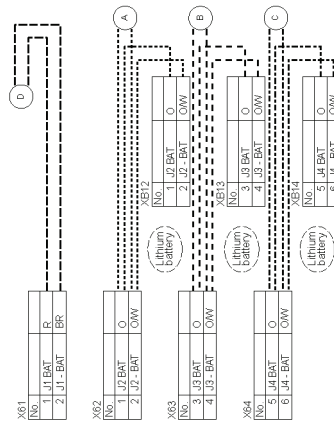
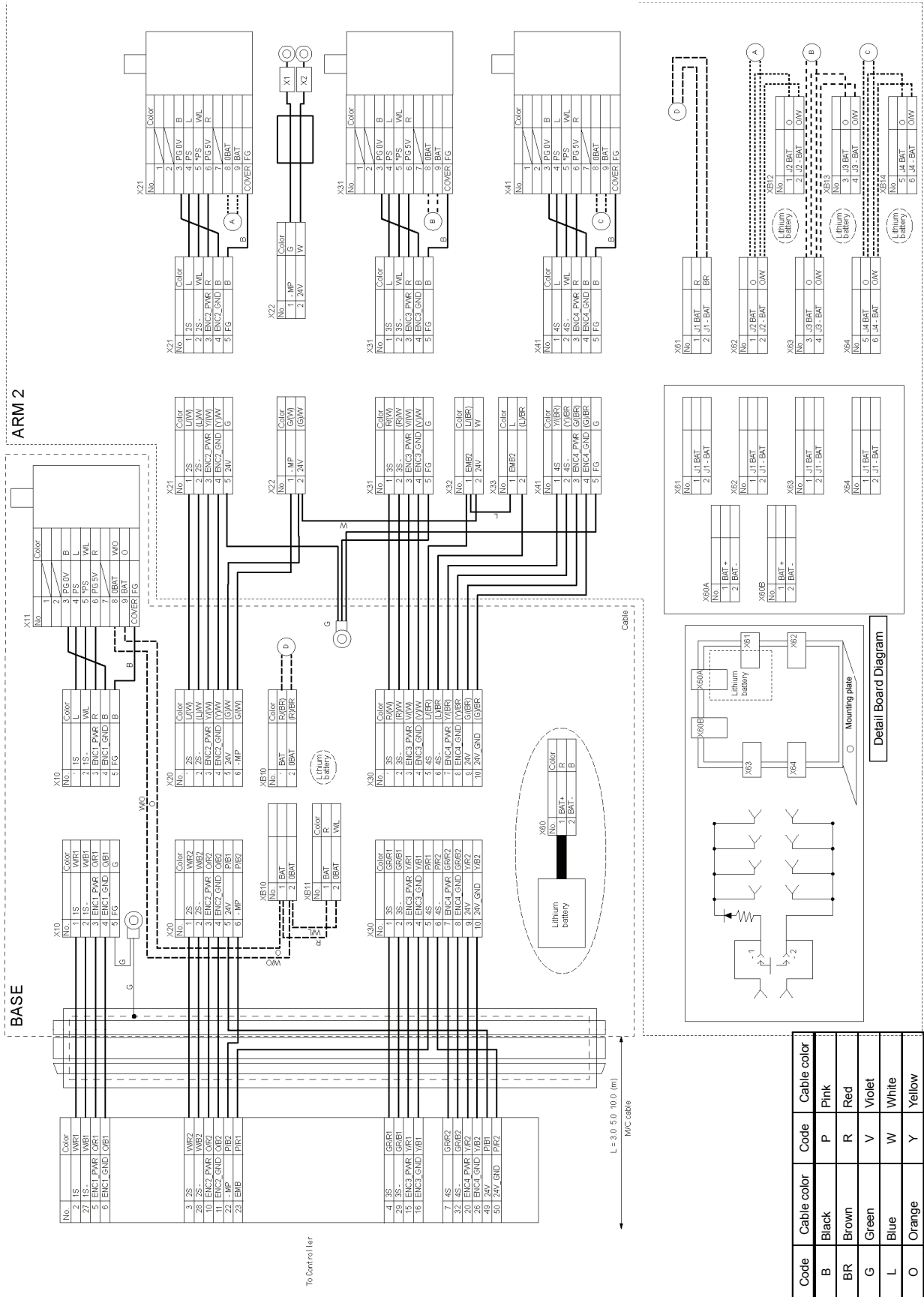


Cable unit  
Installation

- (1) Mount the cable unit to the Manipulator.
- (2) Connect the following to inner connector plate and connector sub plate.  
Air tube // Ground wire // D-sub cable  
Joint #1 Signal cable connector and Power cable connector  
4 connectors (X20, X30, X121, X131)
- (3) Connect Joint #1 Signal cable connector and XB10.
- (4) Bundle the wire tie removed in *Removal Step (8)*.
- (5) Mount the user plate to the Arm #2.  
At this point, mount the ground together.
- (6) Connect the connectors:  
X21, X22, X31, X32, X33, X41, X61, X221, X231, X241
- (7) Mount the battery board to the Arm #2.
- (8) Remove the spare battery from XB11.
- (9) Mount the connector plate to the base.  
For the details, refer to *Maintenance: 3.4 Connector Plate*.
- (10) Mount the connector sub plate to the base.  
For details, refer to *Maintenance: 3.5 Connector Sub Plate*.
- (11) Set and secure the Arm #2 cover without the cables being stuck.  
For details, refer to *Maintenance: 3.1 Arm Top Cover*.
- (12) When the connector falls off from the battery board, execute the calibration of all axes.  
For details, refer to *Maintenance: 14 Calibration*.

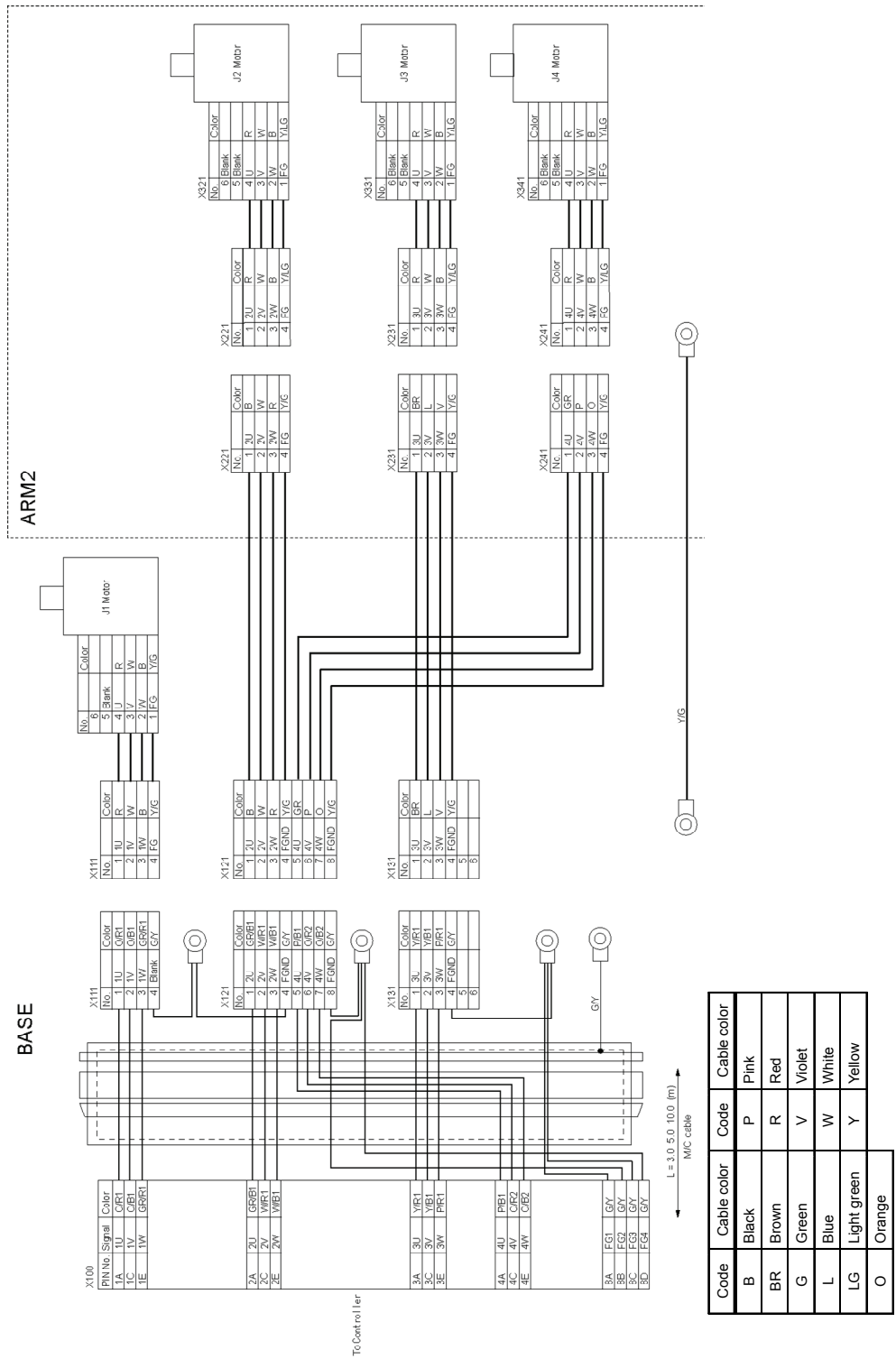
# 4.2 Wiring Diagrams

## 4.2.1 Signal Cable

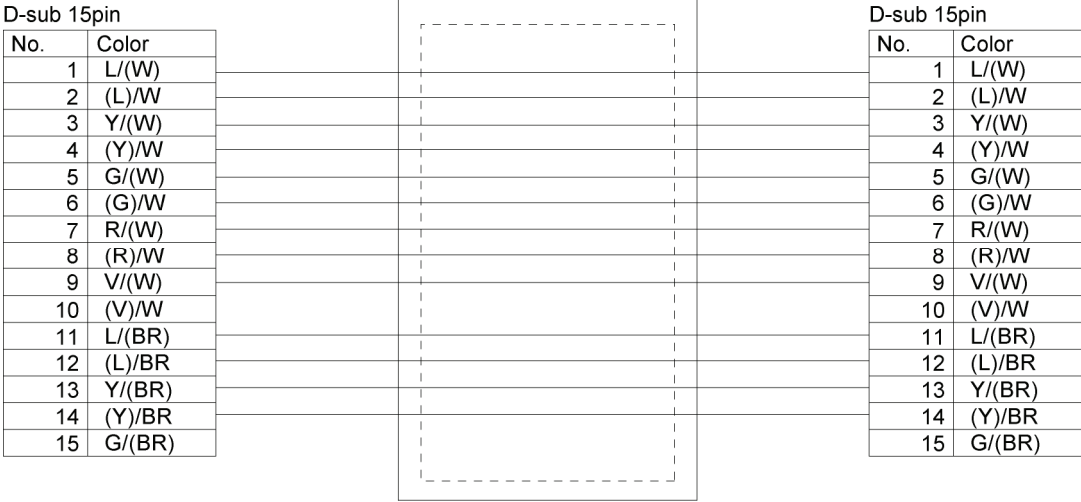


Code	Cable color	Code	Cable color
B	Black	P	Pink
BR	Brown	R	Red
G	Green	V	Violet
L	Blue	W	White
O	Orange	Y	Yellow

### 4.2.2 Power Cable



**4.2.3 User Cable**





Code	Cable color	Code	Cable color
B	Black	R	Red
BR	Brown	V	Violet
G	Green	W	White
L	Blue	Y	Yellow

The following table shows the types of the use cable.

Mounting type	Arm length	Code
S/C (Table Top Mounting)	250 mm	R13B020023
	300 mm	R13B020024
	350 mm	R13B020025
SM/CM (Multiple Mounting)	300 mm	R13B020026
	350 mm	R13B020027

## 5. Arm #1

 <p>WARNING</p>	<ul style="list-style-type: none"><li>■ Do not insert or pull out the motor connectors while the power to the robot system is turned ON. Inserting or pulling out the motor connectors with the power ON is extremely hazardous and may result in serious bodily injury as the Manipulator may move abnormally, and also may result in electric shock and/or malfunction of the robot system.</li><li>■ To shut off power to the robot system, pull out the power plug from the power source. Be sure to connect the AC power cable to a power receptacle. DO NOT connect it directly to a factory power source.</li><li>■ Before performing any replacement procedure, turn OFF the Controller and related equipment, and then pull out the power plug from the power source. Performing any replacement procedure with the power ON is extremely hazardous and may result in electric shock and/or malfunction of the robot system.</li></ul>
--------------------------------------------------------------------------------------------------	-------------------------------------------------------------------------------------------------------------------------------------------------------------------------------------------------------------------------------------------------------------------------------------------------------------------------------------------------------------------------------------------------------------------------------------------------------------------------------------------------------------------------------------------------------------------------------------------------------------------------------------------------------------------------------------------------------------------------------------------------------------------------------------------------------------------------------------------------------------------------------------------------------------------------------------------------

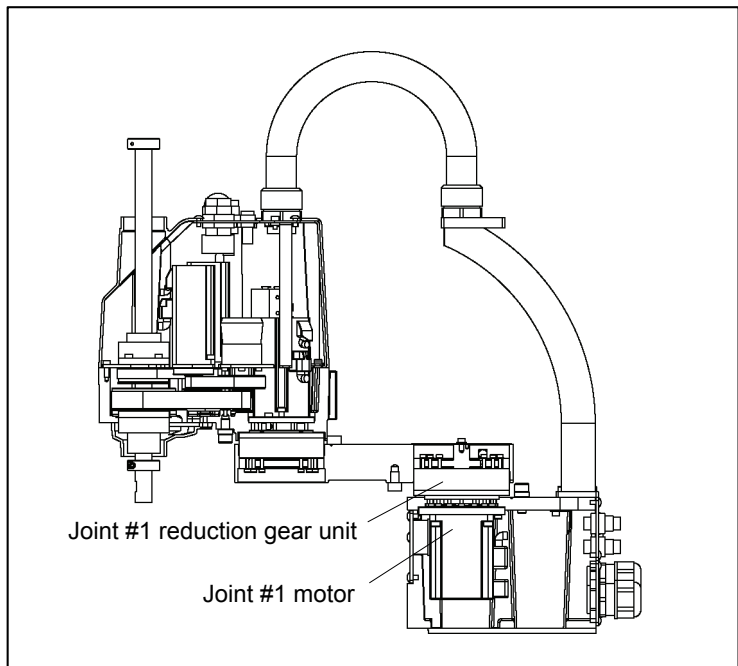
 <p>CAUTION</p>	<ul style="list-style-type: none"><li>■ Be careful not to apply excessive shock to the motor shaft when replacing the motors. The shock may shorten the life cycle of the motors and encoder and/or damage them.</li><li>■ Never disassemble the motor and encoder. A disassembled motor and encoder will cause a positional gap and cannot be used again.</li></ul>
--------------------------------------------------------------------------------------------------	----------------------------------------------------------------------------------------------------------------------------------------------------------------------------------------------------------------------------------------------------------------------------------------------------------------------------------------------------------------------

After parts have been replaced (motors, reduction gear units, brakes, timing belts, ball screw spline unit, etc.), the Manipulator cannot operate properly because a mismatch exists between the origin stored in each motor and its corresponding origin stored in the Controller.

After replacing the parts, it is necessary to match these origins.

The process of aligning the two origins is called “Calibration”.

Refer to *Maintenance: 14. Calibration* to perform the calibration.



## 5.1 Replacing Joint #1 Motor

### Maintenance parts and Tools

	Name	Quantity	Note
Maintenance parts	AC Servo Motor (200 W)	1	R13B000614
	Grease (SK-1A)	4 g	R13ZA00330100
Tools	Hexagonal wrench (width across flats: 2 mm)	1	For M4 set screw
	Hexagonal wrench (width across flats: 3 mm)	1	For M4 screw
	Hexagonal wrench (width across flats: 4 mm)	1	For M5 screw
	Hexagonal wrench (width across flats: 5 mm)	1	For M6 screw
	Torque wrench	1	
	Wiping cloth	1	For wiping grease

**Joint #1 motor Removal** (1) Remove the connector plate.

For details, refer to *Maintenance: 3.4 Connector Plate*.

(2) Remove the connector sub plate.

For details, refer to *Maintenance: 3.5 Connector Sub Plate*.

(3) Disconnect the following connectors.

Connectors X111, X10 (Hold the claw to remove.)

Connector XB10

(4) Remove the heatsink plate.

For details, refer to *Maintenance: 3.7 Heatsink Plate*.

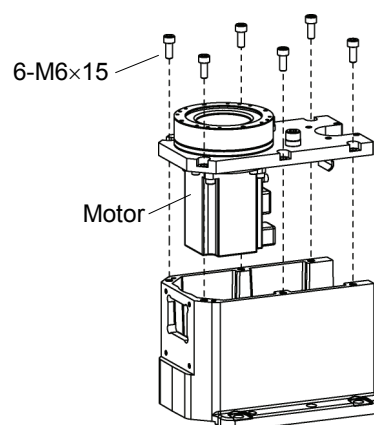
(5) Remove the heat release sheet from the Motor.

(6) Unscrew and remove the bolts from Joint #1 flange mounting on the base.

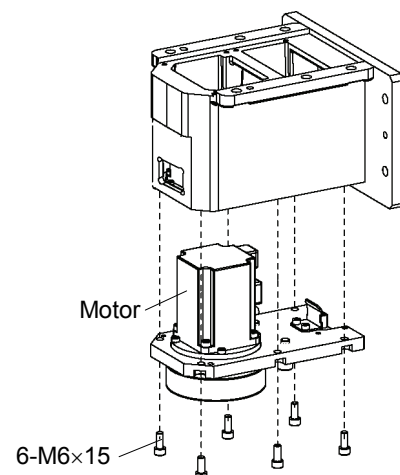
Mounting positions of the base and Joint #1 flange are determined by the positioning pin.

Be sure to keep the positioning pin.

#### Table Top Mounting



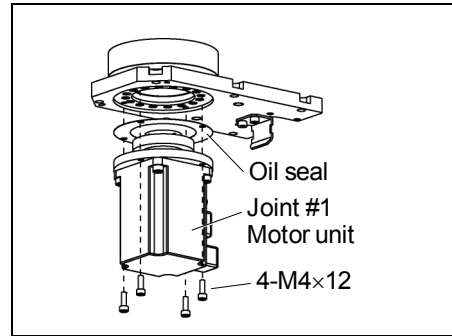
#### Multiple Mounting



- (7) Unscrew the bolts from Joint #1 Motor flange and remove the motor unit

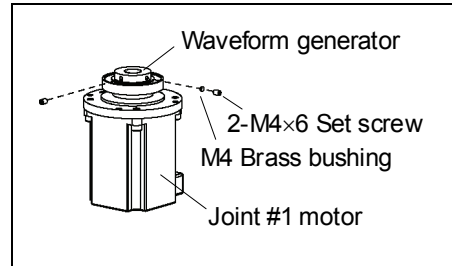
There is an oil seal (soft metal) in the assembly position of the motor flange and Joint #1 flange.

Be sure to keep the oil seal.

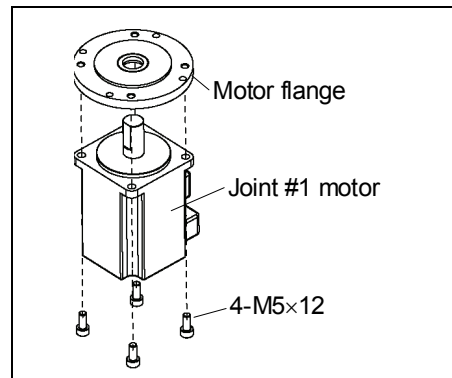


- (8) Remove the waveform generator from the Joint #1 motor.

There is a brass bushing in one of the set screw holes. Be sure to keep the bushing.

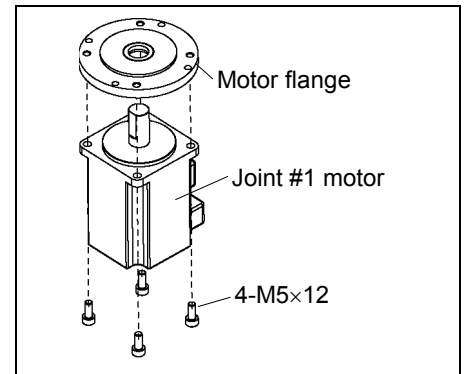


- (9) Remove the motor flange from the Joint #1 motor.





- Joint #1 motor Installation (1) Mount the motor flange on the Joint #1 motor.

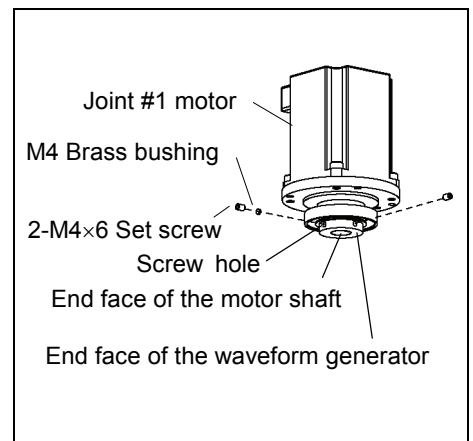


- (2) Apply grease (SK-1A) to the between the waveform generator and motor flange.

Grease volume 4 g

- (3) Mount the waveform generator on the Joint #1 motor.

Be sure to fit the end face of the waveform generator to the end face of the motor shaft. Tighten one of the set screws on the flat face of the motor shaft until the screw just touches the surface. Insert a bushing into the other set screw hole to prevent damage to the motor shaft. Then, tighten both set screws.



- See the figures above for the orientation of the waveform generator. Be sure to install the waveform generator properly. Improper installation of the waveform generator will result in improper function of the Manipulator.

- (4) Mount the motor unit to the Joint #1 flange.  
Mount the oil seal (soft metal) hole to the mounting hole.  
  
The motor cable must face the connector plate side.  
If it is difficult to mount the motor, push it while moving Arm #1 slowly by hand.
- (5) Mount the Joint #1 flange to the base.  
Mounting positions of the Joint #1 flange and base are determined by the positioning pin.
- (6) Connect the connectors: X110, X10, XB10
- (7) Mount the connector sub plate.  
For the details, refer to *Maintenance: 3.5 Connector Sub Plate*.
- (8) Mount the connector plate.  
For details, refer to *Maintenance: 3.4 Connector Plate*.
- (9) Mount the heatsink plate.  
For details, refer to *Maintenance: 3.7 Heatsink Plate*.
- (10) Perform the calibration of Joint #1.  
For details refer to *Maintenance: 14. Calibration*.

## 5.2 Replacing Joint #1 Reduction Gear Unit

A reduction gear unit consists of the following three parts. When replacing the reduction gear unit, be sure to always replace the waveform generator, flexspline, and circular spline all together as one set.

Waveform generator / Flexspline / Circular spline

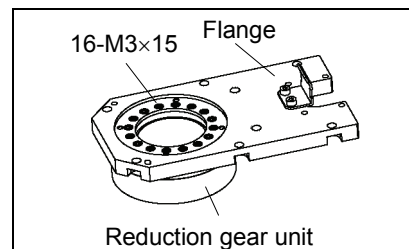
For details of the reduction gear unit, refer to *Maintenance: 14. Maintenance parts list*.

### Maintenance Parts and Tools

	Name	Quantity	Note	
Maintenance Parts	Reduction Gear Unit (SHG20-80)	1	R13B010016	
	Grease (SK-1A)	16 g	R13ZA00330100	
Tools	Hexagonal wrench (width across flats: 2 mm)	1	For M4 set screw	
	Hexagonal wrench (width across flats: 2.5 mm)	1	For M3 screw	
	Hexagonal wrench (width across flats: 3 mm)	1	For M4 screw	
	Hexagonal wrench (width across flats: 5 mm)	1	For M6 screw	
	Torque wrench M4	1	Tightening torque 600 N·cm	
	Torque wrench M6	1	Tightening torque 2200 N·cm	
	Nippers	1		
	Spatula	1	For apply grease	
	Wiping cloth		1	For wiping grease (Flange)
			1	For wiping grease (Bolt)
Screw (M4)	2	About 20mm in length For flexspline removal		

### Joint #1 reduction gear unit Removal

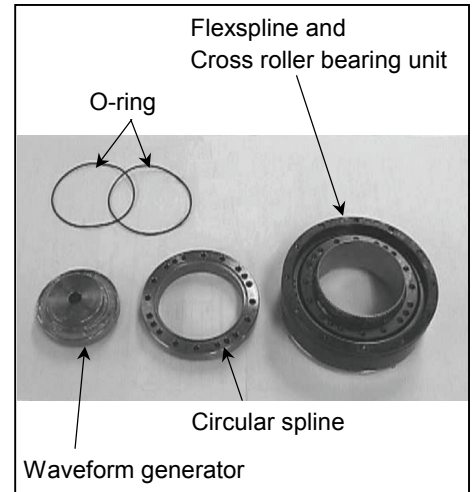
- Remove the Joint #1 motor unit.  
Refer to the removal steps (1) to (7) in *Maintenance: 5.1 Replacing Joint #1 Motor*.
- Remove the Reduction gear unit from the Joint #1 flange.



Joint #1  
reduction gear  
unit  
Installation

- (1) A new reduction gear unit contains the parts shown in the picture on the right when it is unpacked.

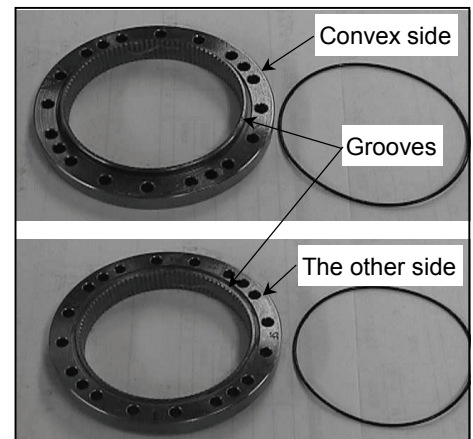
The gear grooves of the flexspline, circular spline, and the bearings of the waveform generator have been greased. Wipe off excess grease from the mounting surface.



- Never adjust (loosen or tighten) the mounting bolts between the flexspline and cross roller bearing unit. If the mounting bolts are adjusted, the flexspline and cross roller bearing unit must be aligned by the maker of the reduction gear unit.

- (2) Fit the O-rings into the grooves on both sides of the new circular spline.

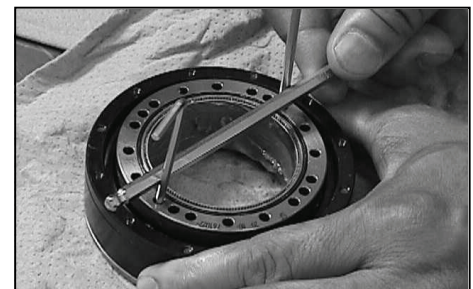
Make sure that the rings do not come out of the grooves.



- (3) Face the convex side of the circular spline down, and then fit it into the flexspline.

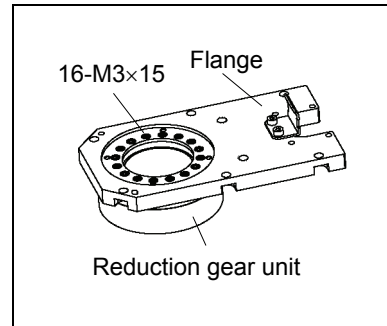


- (4) Match the screw holes on the inner ring of the cross roller bearing unit and the through holes of the circular spline.



- (5) Secure the reduction gear flange to the circular spline.

Loosely fasten all bolts in a crisscross pattern so that the bolts will be fastened evenly. Then, using a torque wrench, tighten each bolt securely in a crisscross pattern at the torque specified in the table below.



Item	Bolt type	Number of bolts	Tightening torque
Joint #1 reduction gear unit	M3x15	16	300 N·cm (30.6 kgf·cm)

NOTE  


Be careful not to apply too much force since it may damage the parts.

- (6) Apply grease (SK-1A) inside the flexspline.

Grease volume 12 g

- (7) Execute the installation steps (2) to (10) in *Maintenance: 5.1 Replacing Joint #1 Motor*.

## 6. Arm #2



- Do not insert or pull out the motor connectors while the power to the robot system is turned ON. Inserting or pulling out the motor connectors with the power ON is extremely hazardous and may result in serious bodily injury as the Manipulator may move abnormally, and also may result in electric shock and/or malfunction of the robot system.
- To shut off power to the robot system, pull out the power plug from the power source. Be sure to connect the AC power cable to a power receptacle. DO NOT connect it directly to a factory power source.
- Before performing any replacement procedure, turn OFF the Controller and related equipment, and then pull out the power plug from the power source. Performing any replacement procedure with the power ON is extremely hazardous and may result in electric shock and/or malfunction of the robot system.



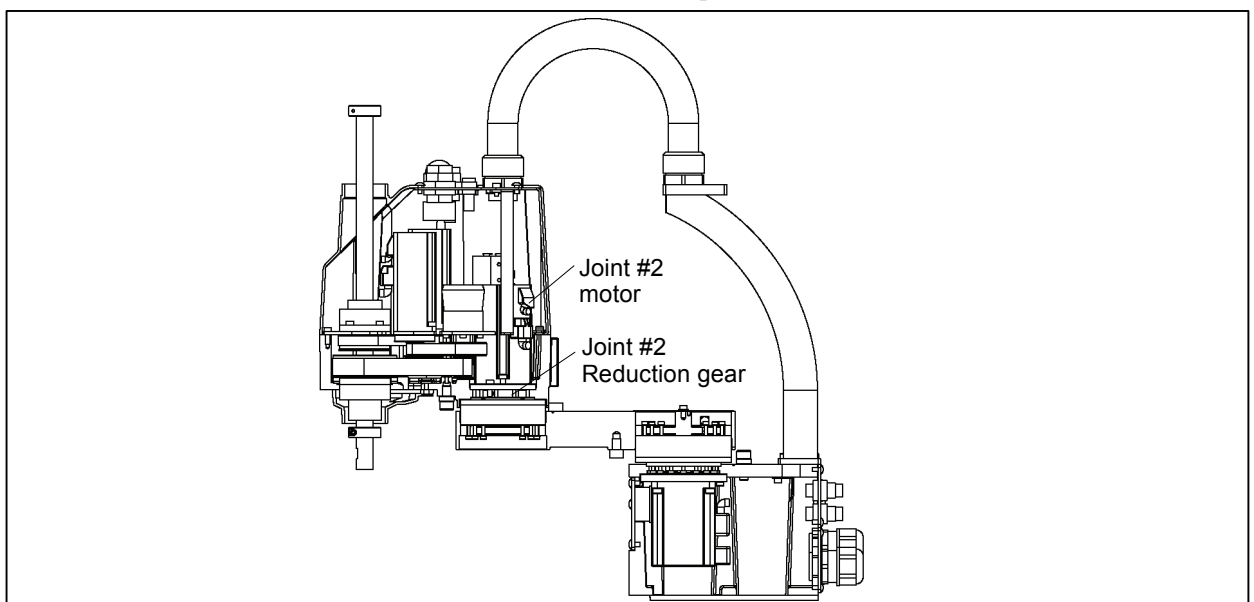
- Be careful not to apply excessive shock to the motor shaft when replacing the motors. The shock may shorten the life cycle of the motors and encoder and/or damage them.
- Never disassemble the motor and encoder. A disassembled motor and encoder will cause a positional gap and cannot be used again.

After parts have been replaced (motors, reduction gear units, brakes, timing belts, ball screw spline unit, etc.), the Manipulator cannot operate properly because a mismatch exists between the origin stored in each motor and its corresponding origin stored in the Controller.

After replacing the parts, it is necessary to match these origins.

The process of aligning the two origins is called “Calibration”.

Refer to *Maintenance: 14. Calibration* to perform the calibration.



## 6.1 Replacing Joint #2 Motor

### Maintenance Parts, Tools and Material

	Name	Quantity	Note
Maintenance Parts	AC Servo Motor (150W)	1	R13B000615
	Grease (SK-2)	3 g	R13ZA00330400
Tools	Hexagonal wrench (width across flats: 2 mm)	1	For M4 set screw
	Hexagonal wrench (width across flats: 3 mm)	1	For M4 screw
	Hexagonal wrench (width across flats: 4 mm)	1	For M5 screw
	Torque wrench	1	
	Nippers	1	For cutting wire tie
	Wiping cloth	1	For wiping grease
Material	Wire tie	4	

### Joint #2 motor Removal

- (1) Turn ON the Controller.
- (2) Push down the shaft to its lower limit while pressing the brake release button switch. Be sure to keep enough space and prevent the end effector hitting any peripheral equipment.

The brake release button switch affects only Joint #3. When the brake release button switch is pressed, the brake for the Joint #3 is released simultaneously.

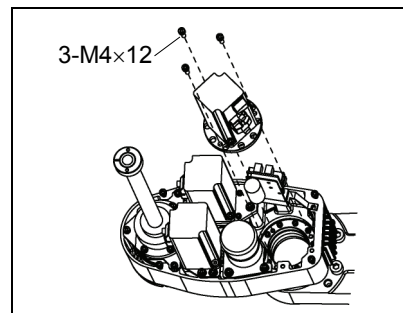
Be careful of the shaft while the brake release button switch is being pressed because the shaft may be lowered by the weight of an end effector.

- (3) Turn OFF the Controller.
- (4) Remove the arm top cover.  
For details, refer to *Maintenance: 3.1 Arm Top Cover*.
- (5) Remove the battery board.
- (6) Remove the user plate.
- (7) Cut off the wire tie used for binding the cables connected to the user cable.
- (8) Cut off the wire tie used for binding the motor cables to the Joint #2 motor.
- (9) Disconnect the following connectors.  
Connectors X221, X21 (Hold the claw to remove.)  
Connector X62

- (10) Remove the Joint #2 motor unit from Arm #2.

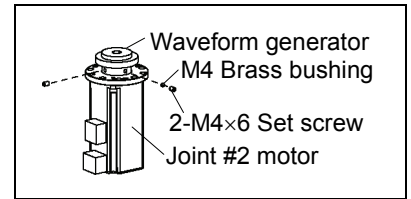
If the motor cannot be removed easily, pull it out while moving Arm #2 slowly by hand.

Also, the motor flange touches the intermediate pulley and you cannot pull the motor straight upward. Therefore, tip the motor and pull it avoiding the intermediate pulley.

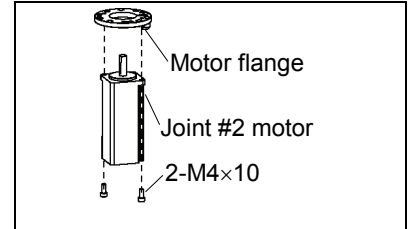


- (11) Remove the waveform generator from the Joint #2 motor.

There is a brass bushing in one of the set screw holes. Be careful not to lose it.

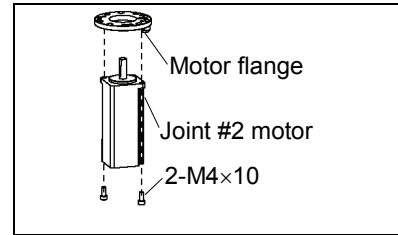


- (12) Remove the motor flange from the Joint #2 motor.



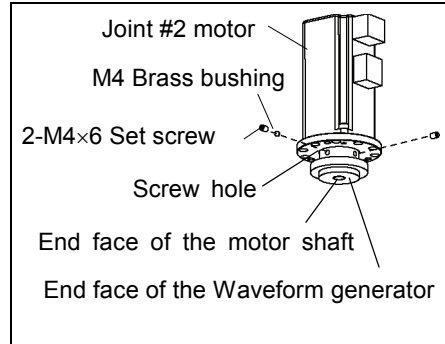
Joint #2 motor Installation

- (1) Mount the motor flange on the Joint #2 motor.



- (2) Mount the waveform generator on the Joint #2 motor.

Be sure to fit the end face of the waveform generator to the end face of the motor shaft. Tighten one of the set screws on the flat face of the motor shaft until the screw touches vertically the surface. Insert a bushing into the other set screw hole without damage to the motor shaft.



Then, tighten both set screws.

- (3) Apply grease (SK-2) to the between the waveform generator and motor flange.

Grease volume 3 g

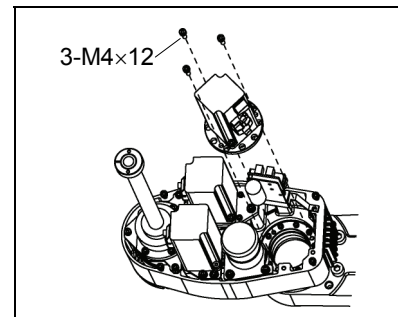


- See the figures above for the orientation of the waveform generator. Be sure to install the waveform generator properly. Improper installation of the waveform generator will result in improper function of the Manipulator.

- (4) Mount the Joint #2 motor unit on Arm #2.

The motor flange touches the intermediate pulley and you cannot insert the motor straight on the arm. Therefore, tip the motor and insert it avoiding the intermediate pulley.

Also, if it is difficult to insert the motor, push it while moving Arm #2 slowly by hand.



- (5) Re-bundle the cables in their original positions with a wire tie removed in the Removal procedure step (8).

Do not allow unnecessary strain on the cables.

- (6) Mount the user plate to Arm #2.

- (7) Mount the battery board to Arm #2.

- (8) Connect the connectors X221, X21.

- (9) Connect the backup cable connector X62 to the battery board.

Band the cables with a wire tie to prevent the back up cable connectors to fall out by mistake.



- (10) Re-bundle the cables in their original positions with a wire tie removed in the Removal procedure step (7).

Do not allow unnecessary strain on the cables.

- (11) Mount the arm top cover.

For details, refer to *Maintenance: 3.1 Arm Top Cover*.

- (12) Perform the calibration of Joint #2.

For details refer to *Maintenance: 14. Calibration*.

## 6.2 Replacing Joint #2 Reduction Gear Unit

A reduction gear unit consists of the following three parts. When replacing the reduction gear unit, be sure to always replace the waveform generator, flexspline, and circular spline all together as one set.

Waveform generator / Flexspline / Circular spline

For details of the reduction gear unit, refer to *Maintenance: 15. Maintenance parts list*.

### Maintenance parts and Material

	Name	Quantity	Note	
Maintenance parts	Reduction Gear Unit (SHG17-50)	1	R13B010017	
	Grease (SK-2)	11 g	R13ZA00330400	
	Hexagonal wrench (width across flats: 2 mm)	1	For M4 set screw	
	Hexagonal wrench (width across flats: 2.5 mm)	1	For M3 screw	
	Hexagonal wrench (width across flats: 3 mm)	1		
	Torque wrench M3	1	Tightening torque 300 N·cm (30.6 kgf·cm)	
	Spatula	1	For apply grease	
	Wiping cloth		1	For wiping grease (Flange)
			1	For wiping grease (Bolt)
	Screw (M3) Length about 20 mm	2	For flexspline removal	
Material	Wire tie	4		

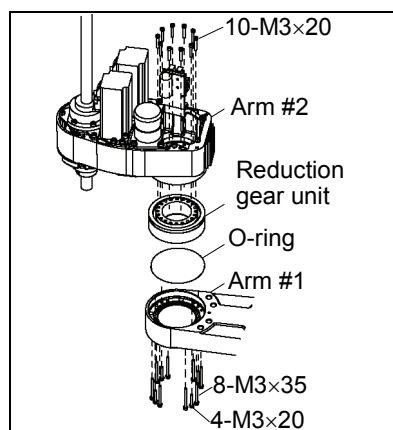
### Joint #2 reduction gear unit Removal

- (1) Turn ON the Controller.
- (2) Push down the shaft to its lower limit while pressing the brake release button switch. Be sure to keep enough space and prevent the end effector hitting any peripheral equipment.

The brake release button switch affects only Joints #3. When the brake release button switch is pressed, the brake of the Joints #3 is released simultaneously.

Be careful of the shaft while the brake release button switch is being pressed because the shaft may be lowered by the weight of an end effector.

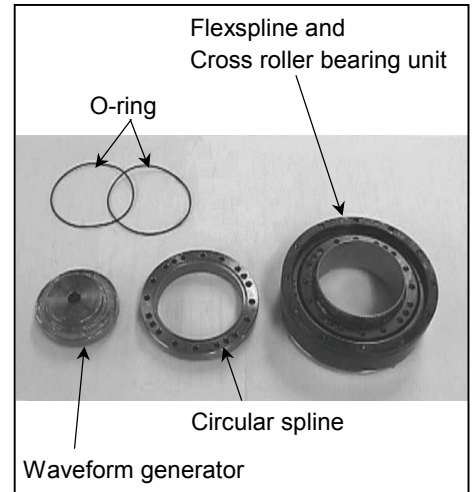
- (3) Turn OFF the Controller.
- (4) Execute steps from (1) to (11) in *Maintenance: 6.1 Replacing Joint #2 Motor* and remove the waveform generator from the Joint #2 motor.
- (5) Remove the mounting screws for the Arm #2 and remove the reduction gear unit from the Arm #1.



Joint #2  
reduction gear  
unit  
Installation

- (1) A new reduction gear unit contains the parts shown in the picture on the right when it is unpacked.

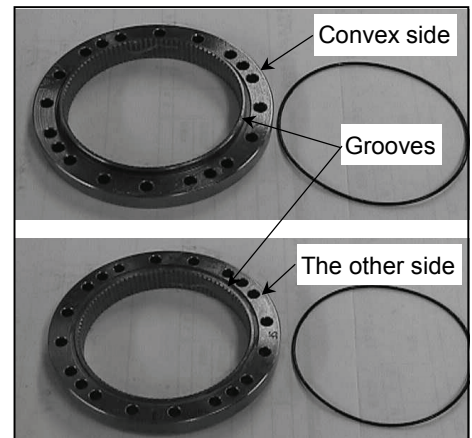
The gear grooves of the flexspline, circular spline, and the bearings of the waveform generator have been greased. Wipe off excess grease from the mounting surface.



- Never adjust (loosen or tighten) the mounting bolts between the flexspline and cross roller bearing unit. If the mounting bolts are adjusted, the flexspline and cross roller bearing unit must be aligned by the maker of the reduction gear unit.

- (2) Fit the O-rings into the grooves on both sides of the new circular spline.

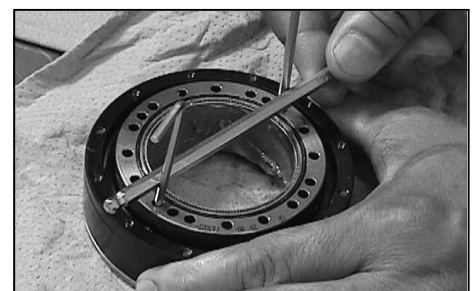
Make sure that the rings do not come out of the grooves.



- (3) Face the convex side of the circular spline down, and then fit it into the flexspline.

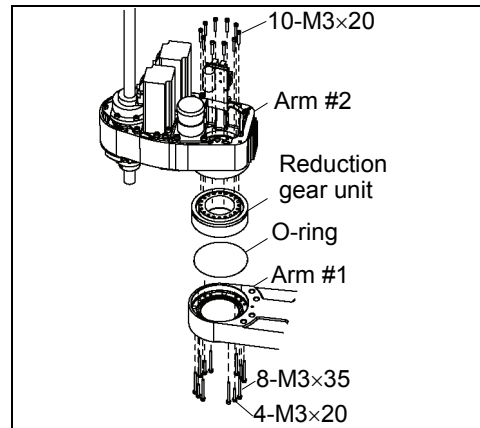


- (4) Match the screw holes on the inner ring of the cross roller bearing unit and the through holes of the circular spline.



- (5) Mount the circular spline to Arm #2.

Loosely secure all bolts in a crisscross pattern so that the bolts will be secured evenly. Then, using a torque wrench, tighten each bolt securely in a crisscross pattern at the torque specified in the table below.



Item	Bolt type	Number of bolts	Tightening torque
Joint #2 reduction gear unit	M3×20	10	300 N·cm (30.6 kgf·cm)

NOTE  


Be careful not to apply too much force since it may damage the parts

- (6) Apply grease (SK-2) inside the flexspline.

Grease volume 8 g

- (7) Install the O ring to the Arm #1.

- (8) Install and secure the flexspline.

Slide the Arm #2 to the right/left to adjust the holes position.

- (9) Execute installation steps (2) to (12) in *Maintenance: 6.1 Replacing Joint #2 Motor.*

## 7. Arm #3



- Do not insert or pull out the motor connectors while the power to the robot system is turned ON. Inserting or pulling out the motor connectors with the power ON is extremely hazardous and may result in serious bodily injury as the Manipulator may move abnormally, and also may result in electric shock and/or malfunction of the robot system.
- To shut off power to the robot system, pull out the power plug from the power source. Be sure to connect the AC power cable to a power receptacle. DO NOT connect it directly to a factory power source.
- Before performing any replacement procedure, turn OFF the Controller and related equipment, and then pull out the power plug from the power source. Performing any replacement procedure with the power ON is extremely hazardous and may result in electric shock and/or malfunction of the robot system.



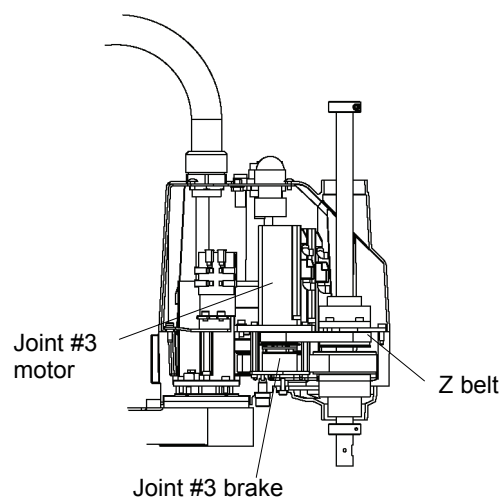
- Be careful not to apply excessive shock to the motor shaft when replacing the motors. The shock may shorten the life cycle of the motors and encoder and/or damage them.
- Never disassemble the motor and encoder. A disassembled motor and encoder will cause a positional gap and cannot be used again.

After parts have been replaced (motors, reduction gear units, brakes, timing belts, ball screw spline unit, etc.), the Manipulator cannot operate properly because a mismatch exists between the origin stored in each motor and its corresponding origin stored in the Controller.

After replacing the parts, it is necessary to match these origins.

The process of aligning the two origins is called “Calibration”.

Refer to *Maintenance: 14. Calibration* to perform the calibration.



## 7.1 Replacing Joint #3 Motor

### Maintenance parts, Tools and Material

	Name	Quantity	Note
Maintenance parts	AC Servo Motor (150W)	1	R13B000615
Tools	Hexagonal wrench (width across flats: 2.5 mm)	1	For M5 set screw
	Hexagonal wrench (width across flats: 3 mm)	1	For M4 screw
	Torque wrench M5	1	Tightening torque 700 N·cm (68.6 kgf·cm)
	Nippers	1	For cutting wire tie
	Force gauge	1	Belt tension 74 N (7.5 kgf·cm)
	Suitable cord (Length about 800 mm)	1	For belt tension
Material	Wire tie	2	

A brake is mounted on the Joints #3 motor to prevent the shaft from lowering down due to the weight of the end effector while the power to the Controller is OFF or while the motor is in OFF status (MOTOR OFF).

Note that the brake will not work during the replacement procedure.

Move the shaft down to its lower limit before starting the replacement procedure by following the removal steps from (1) to (3).

### Joint #3 motor Removal

- (1) Turn ON the Controller.
- (2) Push down the shaft to its lower limit while pressing the brake release button switch. Be sure to keep enough space and prevent the end effector hitting any peripheral equipment.

The brake release button switch affects only Joints #3. When the brake release button switch is pressed, the brake for Joints #3 is released simultaneously.

Be careful of the shaft while the brake release button switch is being pressed because the shaft may be lowered by the weight of an end effector.

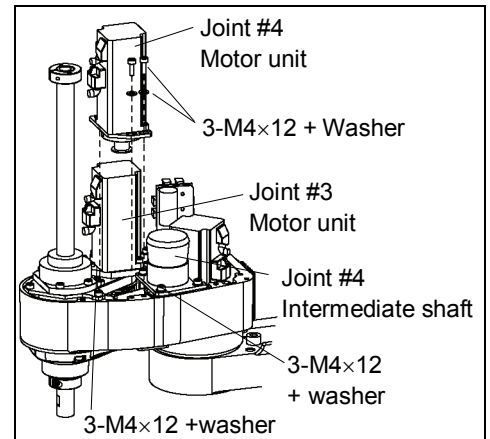
- (3) Turn OFF the Controller.
- (4) Remove the arm top cover and the arm bottom cover.  
For details, refer to *Maintenance: 3. Covers*.
- (5) Remove the battery board.  
Be careful not to pull the connector when removing the battery board.
- (6) Cut off the wire tie used for bundling the power cables and signal cables of motor.
- (7) Remove the user plate.
- (8) Cut off the wire tie used for bundling the motor cables with the Joint #3 motor.
- (9) Disconnect the following connectors.

Connectors X231, X241, X31, X32, X41 (Hold the claw to remove.)

Connector X63, X64 (Backup cable connector of Joint #3 and #4)

- (10) Loosen bolts of the Joint #4 motor unit.

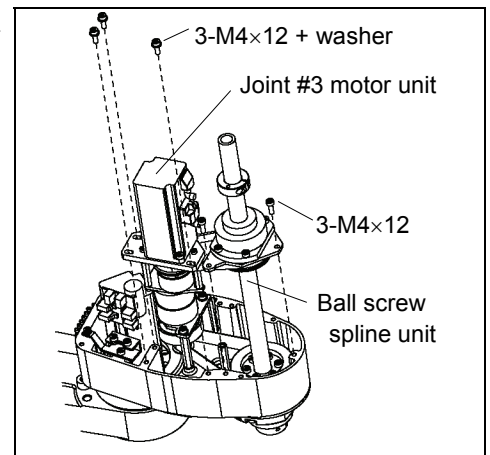
Pull the Joint #4 motor unit upward to remove.



- (11) Unscrew the bolts securing the Joint #3 motor unit.

- (12) Unscrew the screws securing the ball screw spline unit on the upper part of Arm #2.

- (13) Hold up the upper rotator part of ball screw spline unit and the Joint #3 motor unit together.

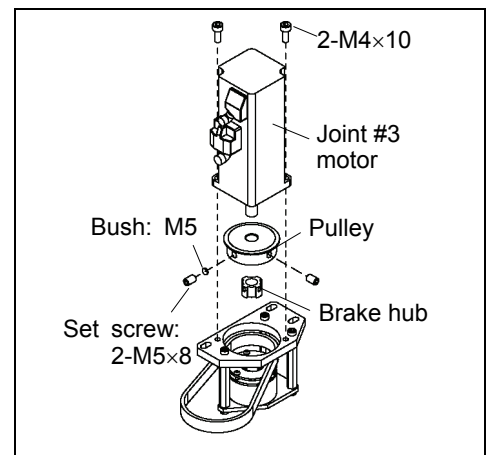


- (14) Hold the Joint #3 motor up. Pass the Z belt through the upper rotator part of ball screw spline and remove the belt.

- (15) Remove the Joint #3 motor from the Joint #3 motor unit.

- (16) Remove the pulley and brake hub from the Joint #3 motor.

There is a brass bushing in one of the set screw holes. Be sure to keep them.



Joint #3 motor Installation

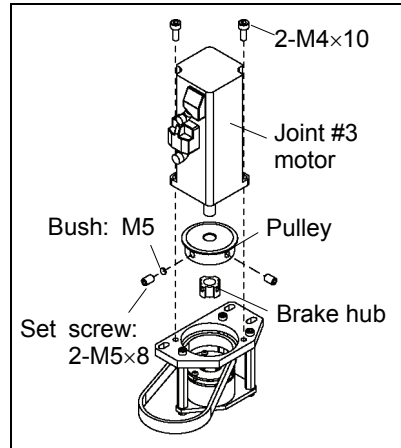
- (1) Mount the pulley and brake hub to the Joint #3 motor.

Insert the brake hub until it touches the end face of motor shaft and secure the hub.

Be sure to fit the end face of the pulley to the brake hub.

Tighten one of the set screws on the flat face of the motor shaft until the screw just touches the surface.

Insert a bushing into the other set screw hole to prevent damage to the motor shaft.



- (2) Mount the Z plate to the Joint #3 motor.

Screw : 4-M4x10

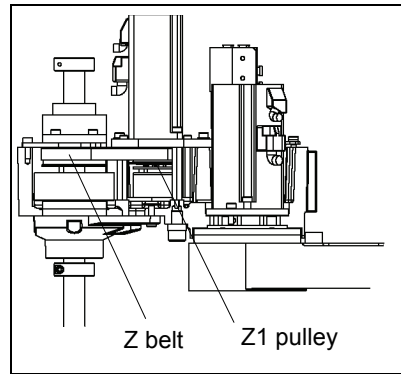
Tightening torque : 600N·cm (61.2 kgf·cm)

- (3) Pass the Z belt of Joint #3 motor unit through the ball screw spline.

Place the belt around the pulley.

Make sure that the gear grooves of the belt are fit into those of the pulleys completely.

- (4) Move the Joint #3 motor unit and spline upper rotator part downwards together and put them on the Arm #2 upper side.



Be sure to keep the belt on the pulley.

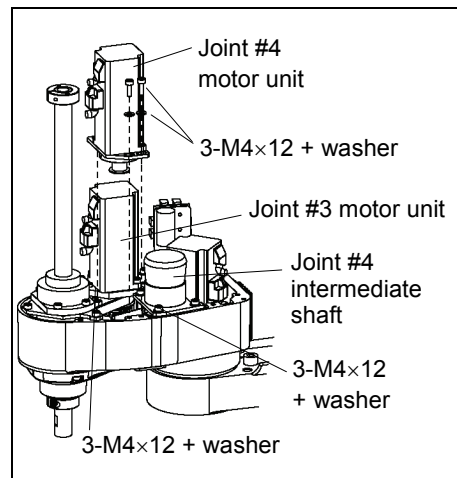
- (5) Loosely secure the Joint #3 motor unit to Arm #2.



Check that the motor unit can be moved by hand, and it will not tilt when pulled. If the unit is secured too loose or too tight, the belt will not have the proper tension.

- (6) Place the U1 belt around the pulley.

Place the Joint #4 motor unit on the Arm #2 upper side.

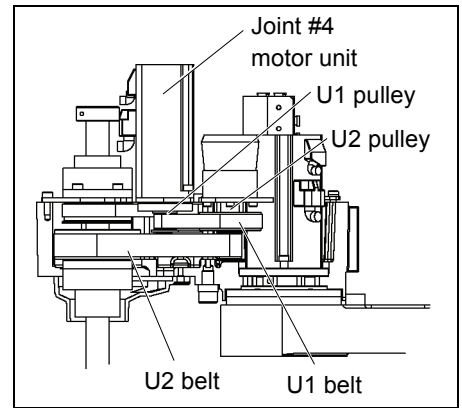




- (7) Loosely secure the Joint #4 motor unit to Arm #2.

Check that the motor unit can be moved by hand, and it will not tilt when pulled.

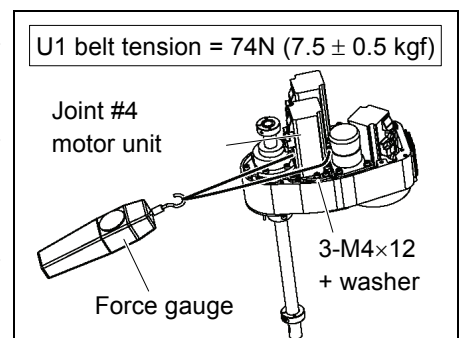
If the unit is secured too loose or too tight, the belt will not have the proper tension.



- (8) Secure the spline upper rotator part on the Arm #2 upper side with screws.  
 (9) Rotate and move up/down the ball screw spline shaft.

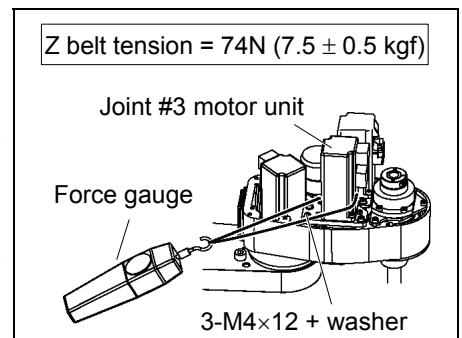
- (10) Apply the proper tension to the U1 belt, and secure the Joint #4 motor unit.

To do so, pass a suitable cord or string around the Joint #4 motor unit near its mounting plate. Then, pull the cord using a force gauge or similar tool to apply the specified tension shown in the figure on the right.



- (11) Apply the proper tension to the Z belt, and secure the Joint #3 motor unit.

To do so, pass a suitable cord or string around the Joint #3 motor unit near its mounting plate. Then, pull the cord using a force gauge or similar tool to apply the specified tension shown in the figure on the right.



- (12) Connect the connectors: X231, X241, X31, X41.  
 (13) Re-bundle the cables in their original positions with the wire tie removed in the Removal step (8).  
 Do not allow unnecessary strain on the cables.  
 (14) Connect the backup connectors for Joint #3 and #4 (X63, X64) to the battery board.  
 Bundle the backup cable with wire tie to prevent the cable connector to fall off by mistake.  
 (15) Mount the user plate and ground wire to Arm #2.  
 (16) Mount the battery board to the Arm #2.  
 (17) Install the arm top cover and the arm bottom cover.  
 For details, refer to *Maintenance: 3. Covers*.  
 (18) Perform the calibration of Joint #3 and #4.  
 For details, refer to *Maintenance: 14. Calibration*.

## 7.2 Replacing the Timing Belt

### Maintenance parts, Tools and Material

	Name	Quantity	Note
Maintenance parts	Z belt (264-3GT-10 width 9 mm)	1	R13B030213
Tools	Hexagonal wrench (width across flats: 2.5 mm)	1	For M3 screw
	Hexagonal wrench (width across flats: 3 mm)	1	For M4 screw
	Nippers	1	For cutting wire tie
	Force gauge	1	Belt tension 80 N
	Suitable cord (Length about 800 mm)	1	For belt tension
Material	Wire tie	2	

A brake is mounted on the motor of Joints #3 and #4 to prevent the shaft from moving down due to the weight of the end effector while the power to the Controller is OFF or while the motor is in OFF status (MOTOR OFF). (The brake for Joint #4 is only installed to G6-\*\*\*.)\*

Note that the brake will not work during the replacement procedure.

Move the shaft down to its lower limit before the replacement procedure following the removal steps from (1) to (3).

### Z belt Removal

- (1) Turn ON the Controller.
- (2) Push down the shaft to its lower limit while pressing the brake release button switch. Be sure to keep enough space and prevent the end effector hitting any peripheral equipment.

The brake release button switch affects only Joints #3. When the brake release button switch is pressed, the brake for Joints #3 is released simultaneously.

Be careful of the shaft while the brake release button switch is being pressed because the shaft may be lowered by the weight of an end effector.

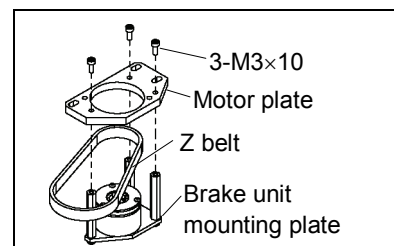
- (3) Turn OFF the Controller.
- (4) Remove the arm top cover and the arm bottom cover.

For details, refer to *Maintenance: 3. Covers*.

- (5) Remove motors of the Joint #3 and #4.

For details, refer to steps from (1) to (17) in *Maintenance: 7.1 Replacing Joint #3 Motor*.

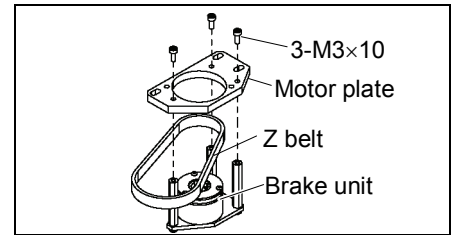
- (6) Remove the brake unit mounting plate from the motor blade.



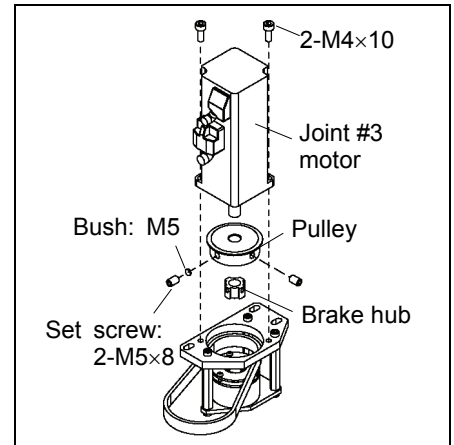
- (7) Remove the Z belt.

Z belt  
Installation

- (1) Place a new Z belt around the brake unit, and then mount it to the motor plate.

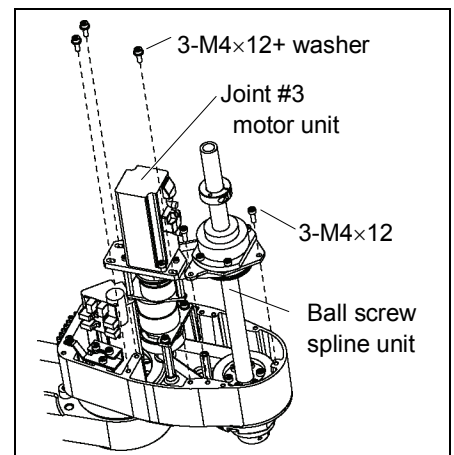


- (2) Mount the Joint #3 motor unit.



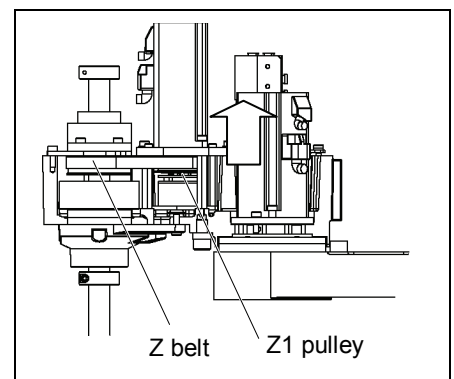
- (3) Place the Z belt of Joint #3 motor unit around the ball screw spline unit and the pulley.

Check the gear grooves of the belt are fit into those of the pulleys completely.



- (4) Put the Joint #3 motor unit and the spline upper rotator parts downwards and place them on the Arm #2 upper surface.

Be sure to keep the belt on the pulley.



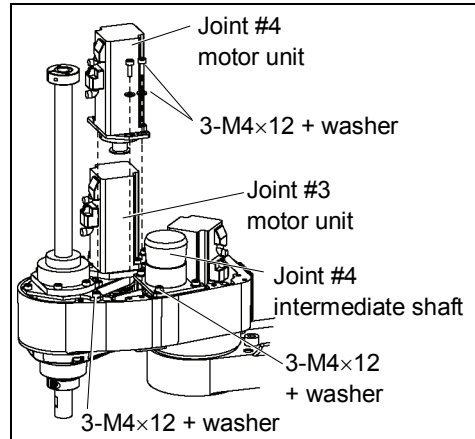
- (5) Secure the Joint #3 motor unit to Arm #2 so that the open side faces toward the end of the arm.



Loosely secure the Joint #3 motor unit to Arm #2 so that the motor unit can be moved by hand, and it will not tilt when pulled. If the unit is secured too loose or too tight, the belt will not have the proper tension.

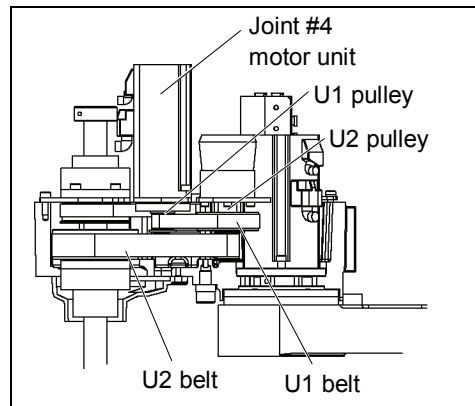
- (6) Put the pulley to the U2 belt and place the Joint #4 motor unit on the Arm #2 surface.

Make sure the motor cables face to the end of the arm.



- (7) Loosely secure the Joint #4 motor unit to Arm #2.

Check that the motor unit can be moved by hand, and it will not tilt when pulled. If the unit is secured too loose or too tight, the belt will not have the proper tension.

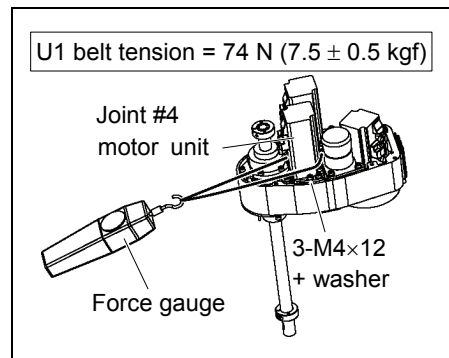


- (8) Loosely secure the spline plate to Arm #2.

After moving the shaft up and down several times, secure the spline plate to Arm #2.

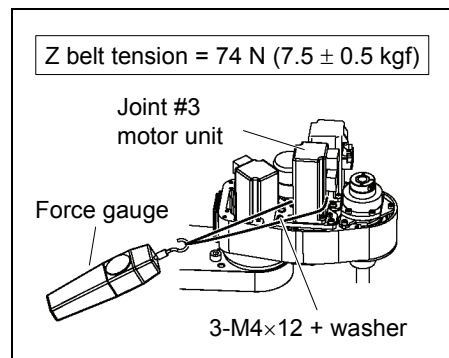
- (9) Apply the proper tension to the U1 belt, and then secure the Joint #4 motor unit.

To do so, pass a suitable cord or string around the Joint #4 motor unit near its mounting plate. Then, pull the cord using a force gauge or similar tool to apply the specified tension shown in the figure on the right.



- (10) Apply the proper tension to the Z belt, and then secure the Joint #3 motor unit.

To do so, pass a suitable cord or string around the Joint #3 motor unit near its mounting plate. Then, pull the cord using a force gauge or similar tool to apply the specified tension shown in the figure on the right.



- (11) Connect the connectors X231, X241, X31, X32, and X41.

- (12) Connect the backup connectors for Joint #3 and #4 (X63, X64) to the battery board.  
Bundle the backup cable with wire tie to prevent the cable connector to fall off by mistake.
- (13) Re-bundle the cables in their original positions with a wire tie removed in step (5).  
Do not allow unnecessary strain on the cables.
- (14) Install the arm top cover and the arm bottom cover.  
For details, refer to *Maintenance: 3. Covers*.
- (15) Perform the calibration of Joint #3 and #4.  
For details, refer to *Maintenance: 14. Calibration*.

## 7.3 Replacing the Brake

### Maintenance parts, Tools and Material

	Name	Quantity	Note
Maintenance parts	Solenoid brake	1	R13B030501
Tools	Hexagonal wrench (width across flats: 1.5 mm)	1	For M3 set screw
	Hexagonal wrench (width across flats: 2.5 mm)	1	For M3 screw
	Hexagonal wrench (width across flats: 3 mm)	1	For M4 screw
	Hexagonal wrench (width across flats: 4 mm)	1	For M5 screw
	Torque wrench	1	
	Nippers	1	For cutting wire tie
	Force gauge	1	Belt tension 80 N
	Suitable cord (Length about 800 mm)	1	For belt tension
Material	Wire tie	3	

A brake is mounted on the Joint #3 motor to prevent the shaft from moving down due to the weight of the end effector while the power to the Controller is OFF or while the motor is in OFF status (MOTOR OFF).

Note that the brake will not work during the replacement procedure.

Move the shaft down to its lower limit before the replacement procedure following the removal steps from (1) to (3).

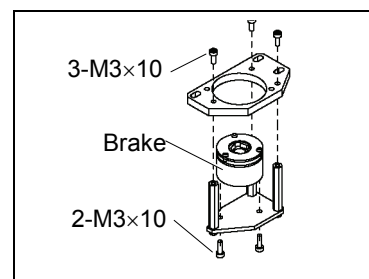
#### Joint #3 brake Removal

- (1) Turn ON the Controller.
- (2) Push down the shaft to its lower limit while pressing the brake release button switch. Be sure to keep enough space and prevent the end effector hitting any peripheral equipment.

The brake release button switch affects only Joint #3. When the brake release button switch is pressed, the brake for Joint #3 is released simultaneously.

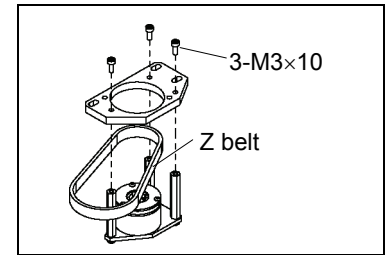
Be careful of the shaft while the brake release button switch is being pressed because the shaft may be lowered by the weight of an end effector.

- (3) Turn OFF the Controller.
- (4) Remove the arm top cover and the arm bottom cover.  
For details, refer to *Maintenance: 3. Covers*.
- (5) Remove the Joint #3 motor.  
For details, refer to *Maintenance: 7.1 Replacing Joint #3 Motor - Joint #3 motor removal step (1) to (17)*.
- (6) Remove the brake from the brake plate.
- (7) Remove the brake hub from the Joint #3 motor.



### Joint #3 brake Installation

- (1) Mount the brake to the brake plate.

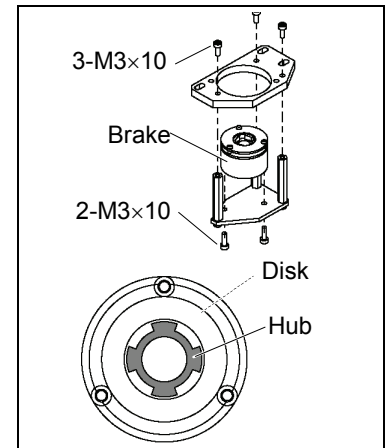


- (2) Mount the brake hub to the Joint #3 motor.

- (3) Mount the motor unit to the Z plate.

Align the position of the disk on the brake and the hub.

When the brake disk is not aligned, connect the connector X32. Press the brake release button switch and release the brake to manually adjust the position.



- (4) Mount the Joint #3 motor unit to Arm #2 so that the open side faces toward the end of the arm.

For the brake hub mounting procedure, refer to the section *7.1 Replacing Joint #3 Motor - Joint #3 motor installation - Step (3) - (19)*.


- (5) Install the arm top cover and the arm bottom cover.


For details, refer to *Maintenance: 3. Covers*.

- (6) Perform the calibration of Joint #3.

For details, refer to *Maintenance: 14. Calibration*.

## 8. Arm #4

 <p>WARNING</p>	<ul style="list-style-type: none"><li>■ Do not insert or pull out the motor connectors while the power to the robot system is turned ON. Inserting or pulling out the motor connectors with the power ON is extremely hazardous and may result in serious bodily injury as the Manipulator may move abnormally, and also may result in electric shock and/or malfunction of the robot system.</li><li>■ To shut off power to the robot system, pull out the power plug from the power source. Be sure to connect the AC power cable to a power receptacle. DO NOT connect it directly to a factory power source.</li><li>■ Before performing any replacement procedure, turn OFF the Controller and related equipment, and then pull out the power plug from the power source. Performing any replacement procedure with the power ON is extremely hazardous and may result in electric shock and/or malfunction of the robot system.</li></ul>
--------------------------------------------------------------------------------------------------	-------------------------------------------------------------------------------------------------------------------------------------------------------------------------------------------------------------------------------------------------------------------------------------------------------------------------------------------------------------------------------------------------------------------------------------------------------------------------------------------------------------------------------------------------------------------------------------------------------------------------------------------------------------------------------------------------------------------------------------------------------------------------------------------------------------------------------------------------------------------------------------------------------------------------------------------------

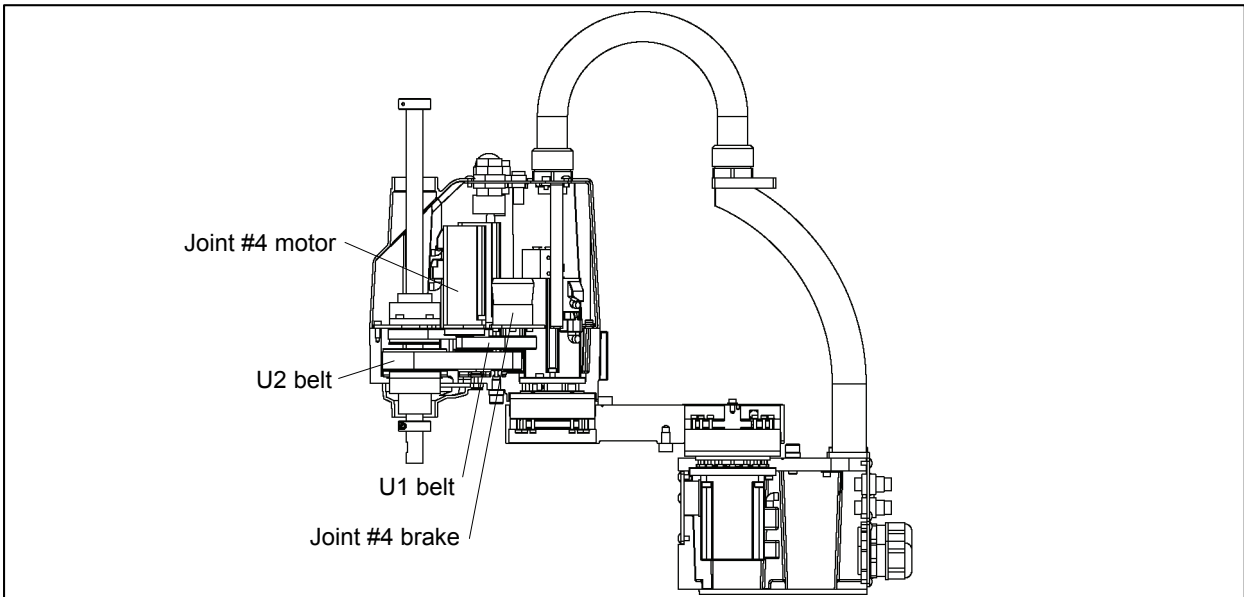
 <p>CAUTION</p>	<ul style="list-style-type: none"><li>■ Be careful not to apply excessive shock to the motor shaft when replacing the motors. The shock may shorten the life cycle of the motors and encoder and/or damage them.</li><li>■ Never disassemble the motor and encoder. A disassembled motor and encoder will cause a positional gap and cannot be used again.</li></ul>
--------------------------------------------------------------------------------------------------	----------------------------------------------------------------------------------------------------------------------------------------------------------------------------------------------------------------------------------------------------------------------------------------------------------------------------------------------------------------------

After parts have been replaced (motors, reduction gear units, brakes, timing belts, ball screw spline unit, etc.), the Manipulator cannot operate properly because a mismatch exists between the origin stored in each motor and its corresponding origin stored in the Controller.

After replacing the parts, it is necessary to match these origins.

The process of aligning the two origins is called “Calibration”.

Refer to *Maintenance: 14. Calibration* to perform the calibration.





## 8.1 Replacing Joint #4 Motor

### Maintenance parts and Tools

	Name	Quantity	Note
Maintenance parts	AC Servo Motor (150 W)	1	R13B000615
Tools	Hexagonal wrench (width across flats: 2 mm)	1	For M4 set screw
	Hexagonal wrench (width across flats: 3 mm)	1	For M4 screw
	Torque wrench	1	
	Nippers	1	For cutting wire tie
	Force gauge	1	Belt tension 74 N (7.5 kgf)
	Suitable cord (Length about 800 mm)	1	For belt tension

A brake is mounted on the Joints #3 motor to prevent the shaft from lowering due to the weight of the end effector while the power to the Controller is OFF or while the motor is in OFF status (MOTOR OFF).

Note that the brake will not work during the replacement procedure.

Move the shaft down to its lower limit before starting the replacement procedure by following the removal steps from (1) to (3).

Joint #4 motor (1) Turn ON the Controller.

#### Removal

- (2) Push down the shaft to its lower limit while pressing the brake release button switch. Be sure to keep enough space and prevent the end effector hitting any peripheral equipment.

The brake release button switch affects only Joint #3. When the brake release button switch is pressed, the brake for Joint #3 is released simultaneously.

Be careful of the shaft while the brake release button switch is being pressed because the shaft may be lowered by the weight of an end effector.

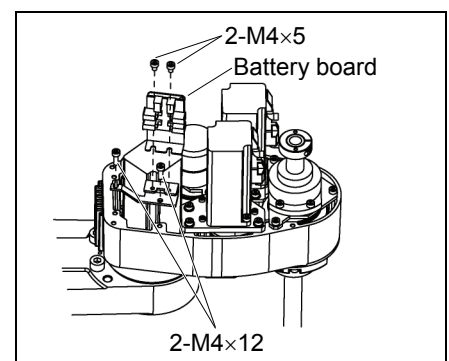
- (3) Turn OFF the Controller.  
 (4) Remove the arm top cover and the arm bottom cover.

For details, refer to *Maintenance: 3. Covers*.

- (5) Remove the battery board from Arm #2.

Be careful of the connector not to fall off when removing the battery board.

If the connector falls off, the other joints than Joint #4 need the calibration.

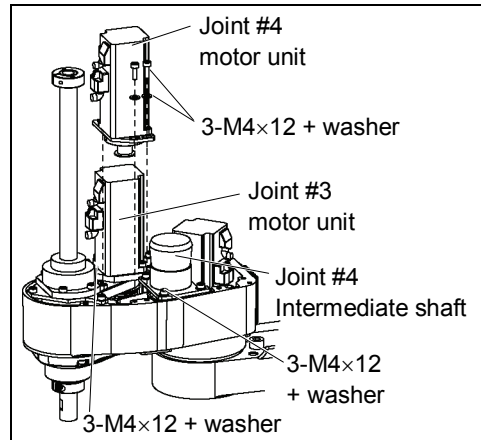


- (6) Remove the user plate and ground wire secured on Arm #2.  
 (7) Cut off a wire tie used for bundling the motor cables and signal cables.

- (8) Disconnect the following connectors.  
Connectors X241, X41 (Hold the claw to remove.)  
Connector X64 (for backup cable connector of Joint #4)

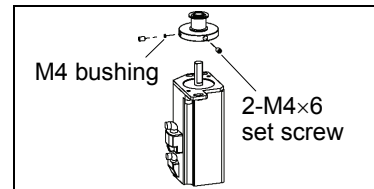
- (9) Remove the Joint #4 motor unit from Arm #2.

Unscrew the bolts securing the Joint #4 motor unit to the Motor plate. Pull the motor unit upward to remove.



- (10) Remove the pulley from the Joint #4 motor.

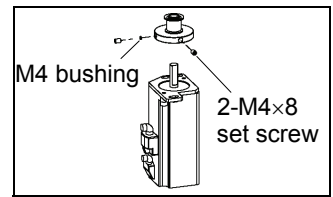
There is a brass bushing in one of the set screw holes.  
Be sure to keep them.



- (11) Remove the motor plate from the Joint #4 motor. 2-M4x8

- Joint #4 motor Installation (1) Mount the motor plate to the Joint #4 motor. 2-M4×8  
 (2) Secure the pulley to the new Joint #4 motor.

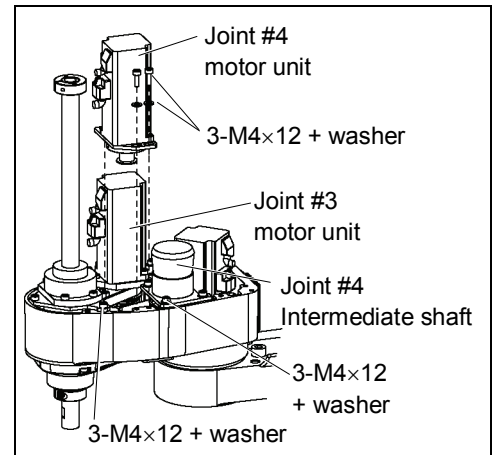
Be sure to fit the end face of the pulley to the end face of the motor shaft.



Tighten one of the set screws on the flat face of the motor shaft until the screw just touches the surface.

Insert a bushing into the other set screw hole to prevent damage to the motor shaft. Then, tighten both set screws.

- (3) Place the pulley around the U2 belt and place the Joint #4 motor unit in the arm so that the motor cable faces toward the Arm #2 head.

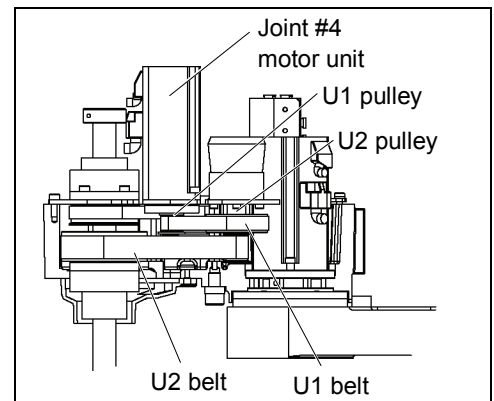


- (4) Loosely secure the Joint #4 motor unit to Arm #2.



NOTE Make sure the motor unit can be moved by hand, and it will not tilt when pulled. If the unit is secured too loose or too tight, the belt will not have the proper tension.

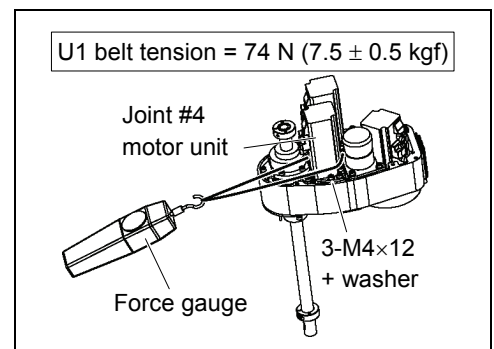
Also, check the gear grooves of the belt are fit into those of the pulleys completely.



- (5) Apply the proper tension to the U1 belt and secure the Joint #4 motor unit.

Pass a suitable cord or string around the Joint #4 motor unit near its mounting plate.


Then, pull the cord using a force gauge or similar tool to apply the specified tension shown in the figure.

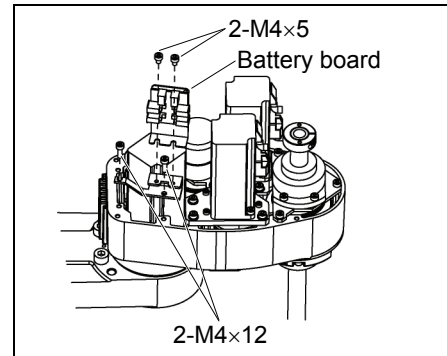


- (6) Connect the connectors: X241, X41, and X42.  
 (7) Connect the backup cable of Joint #4: X64.

Bundle the cables with the wire tie to prevent the backup connector from falling off by mistake.

- (8) Mount the battery board to Arm #2.

NOTE  The screws on the rear side secure both the battery board and the user plate. Set these screws when mounting the user plate.



- (9) Mount the user plate and ground wire to Arm #2.  
(10) Re-bundle the cables in their original positions with a wire tie removed in step (6).

Do not allow unnecessary strain on the cables.

- (11) Install the arm top cover and the arm bottom cover.

For details, refer to *Maintenance: 3. Covers*.

- (12) Perform the calibration of Joint #4.

For details on the calibration method, refer to *Maintenance: 14. Calibration*.

## 8.2 Replacing the Timing Belt

### Maintenance parts and Tools

	Name	Quantity	Note
Maintenance parts	U1 belt (188-2GT width 10 mm)	1	R13B030214
	U2 belt (318-2GT width 16 mm)	1	R13B030215
Tools	Hexagonal wrench (width across flats: 3 mm)	1	For M4 screw
	Spanner (width across flats: 7 mm)	1	
	Torque wrench	1	
	Force gauge	1	Belt tension 98N (10 kgf) / 74N (7.5kgf)
	Nippers	1	For cutting wire tie
	Suitable cord (Length about 800 mm)	1	For belt tension

A brake is mounted on the motor of Joint #3 to prevent the shaft from lowering due to the weight of the end effector while the power to the Controller is OFF or while the motor is in OFF status (MOTOR OFF).

Note that the brake will not work during the replacement procedure.

Move the shaft down to its lower limit before the replacement procedure following the removal steps from (1) to (3).

### U2 belt Removal

- (1) Turn ON the Controller.
- (2) Push down the shaft to its lower limit while pressing the brake release button switch. Be sure to keep enough space and prevent the end effector hitting any peripheral equipment.

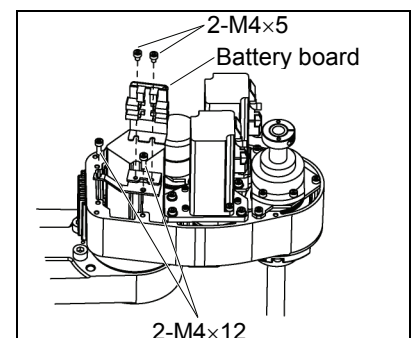
The brake release button switch affects only Joint #3. When the brake release button switch is pressed, the brake for Joint #3 is released simultaneously.

Be careful of the shaft while the brake release button switch is being pressed because the shaft may be lowered by the weight of an end effector.

- (3) Turn OFF the Controller.
- (4) Remove the arm top cover and the arm bottom cover.

For details, refer to *Maintenance: 3. Covers*.

- (5) Remove the battery board and mounting metal jig.
- (6) Remove the user plate and ground wire secured on Arm #2.
- (7) Cut off a wire tie bundling the motor cables and signal cables.



- (8) Disconnect the following connectors.

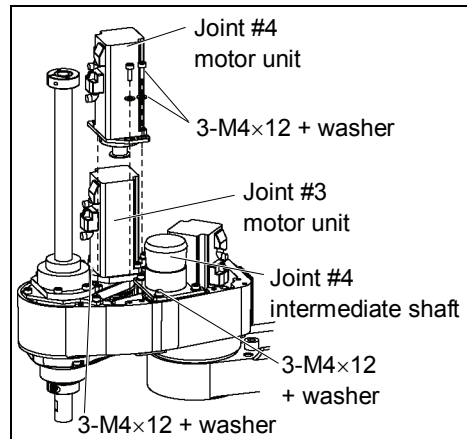
Connectors X231, X241, X31, X32, X41 (Hold the claw to remove.)

Connector X63, X64 (for backup cable connector of Joint #3 and 4)

(9) Loosen the bolts securing the Joint #4 motor unit and pull the motor unit upwards.

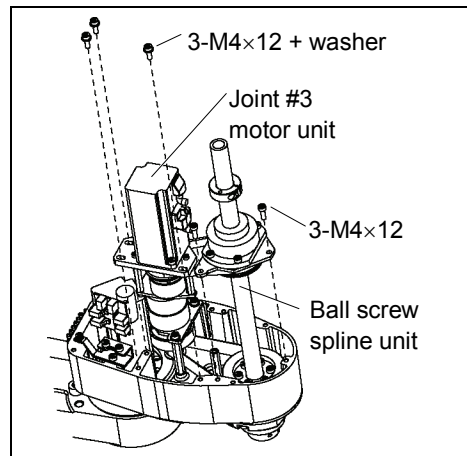
(10) Remove the screws securing the ball screw spline on the surface of Arm #2.

(11) Remove the screws on the Joint #3 motor unit.



(12) Hold the upper rotator part of ball screw spline and Joint #3 motor up together.

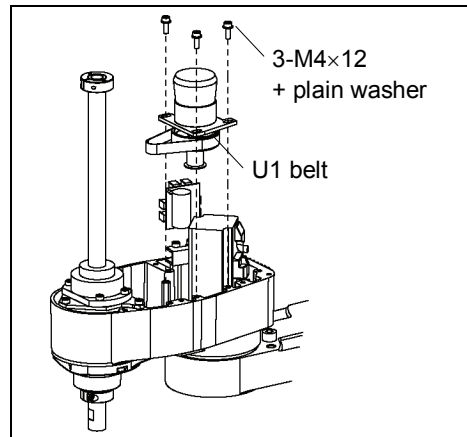
(13) Pass the belt through the upper rotator part of spline and hold the Joint #3 motor up and remove the belt.



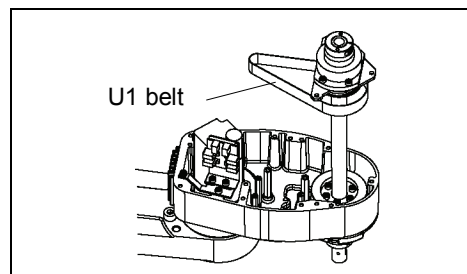
(14) Remove the screws securing the Joint #4 intermediate shaft unit.

Pull the Joint #4 intermediate shaft unit upwards.

(15) Remove the U1 belt.



(16) Keep the spline upper rotator part up and remove the U1 belt.

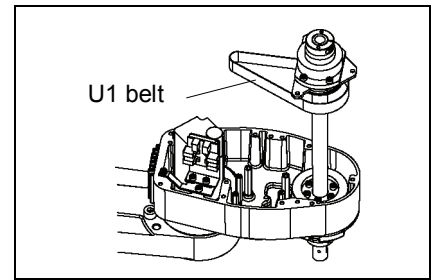


U2 belt  
Installation

- (1) Hold the spline upper rotator part and set the U1 belt around the U1 pulley.



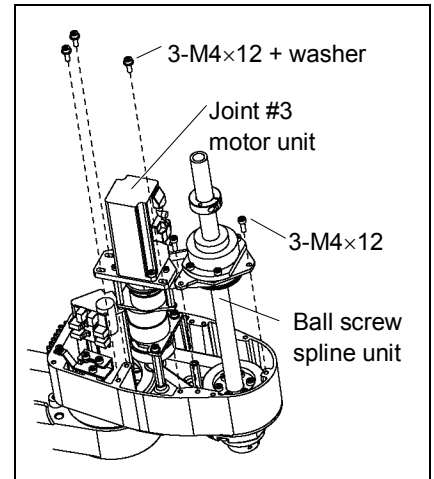
NOTE Make sure the gear grooves of the belt are fit into those of the pulleys completely.



- (2) Pass the Z belt through the ball screw spline of Joint #3 motor unit and set the belt around the pulley.

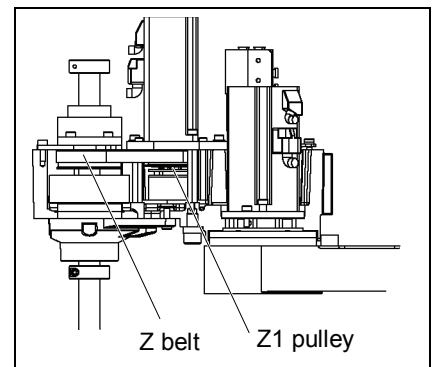


NOTE Make sure the gear grooves of the belt are fit into those of the pulleys completely.



- (3) Place the Joint # motor unit and spline rotator part on the Arm #2 top surface.

Make sure the belt stays on the pulley.



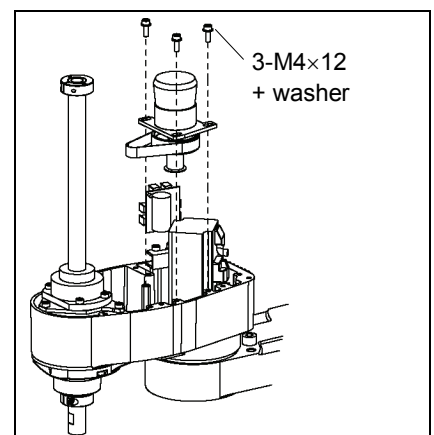
- (4) Loosely secure the Joint #3 motor unit to Arm #2.

Make sure the motor unit can be moved by hand, and it will not tilt when pulled. If the unit is secured too loose or too tight, the belt will not have the proper tension.

- (5) Place the U1 belt in Arm #2 around the small pulley and put it on the Arm #2 top surface.

At this point, keep the U2 belt on the large pulley of Joint #4 intermediate unit.

Make sure the gear grooves of the belt are fit into those of the pulleys completely.

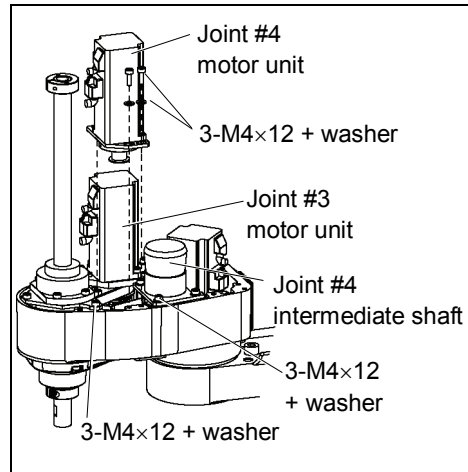


- (6) Loosely secure the Joint #4 intermediate unit with screws.

Make sure the motor unit can be moved by hand, and it will not tilt when pulled. If the unit is secured too loose or too tight, the belt will not have the proper tension.

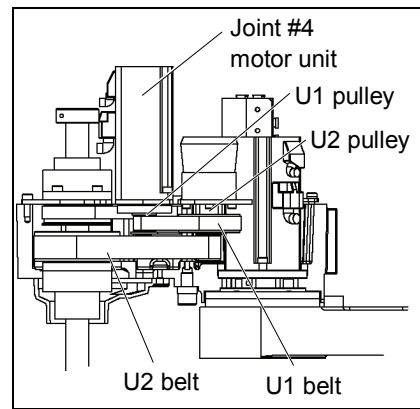
- (7) Place the Joint#4 motor unit around the U1 belt. Put the Joint #4 motor unit on the Arm #2 top surface.

Put the Joint #4 motor cable toward the end of Arm #2.



- (8) Loosely secure the Joint #4 motor unit to Arm #2.

Make sure the motor unit can be moved by hand, and it will not tilt when pulled. If the unit is secured too loose or too tight, the belt will not have the proper tension.

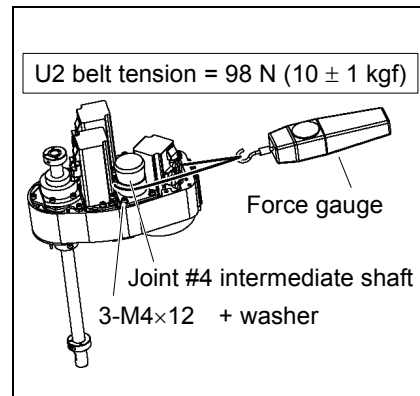


- (9) Loosely secure the spline plate to Arm #2.

After moving the shaft up and down several times, secure the spline plate to Arm #2.

- (10) Apply the proper tension to the U2 belt, and then secure the Joint #4 intermediate shaft unit.

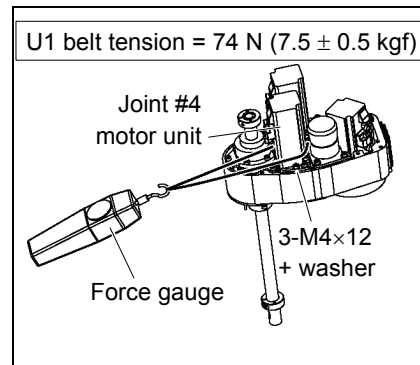
To do so, pass a suitable cord or string around the Joint #4 intermediate shaft unit near its mounting plate. Then, pull the cord using a force gauge or similar tool to apply the specified tension shown in the figure on the right.



- (11) Apply the proper tension to the U1 belt, and then secure the Joint #4 motor unit.

Pass a suitable cord or string around the Joint #4 motor unit near its mounting plate.

Then, pull the cord using a force gauge or similar tool to apply the specified tension shown in the figure on the right.

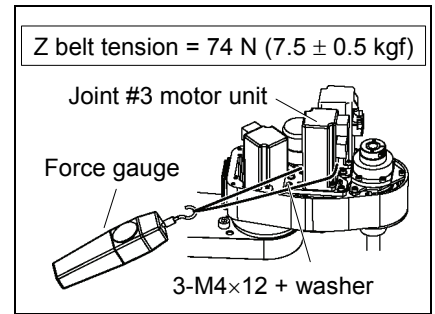




- (12) Apply the proper tension to the Z belt, and then secure the Joint #3 motor unit.

Pass a suitable cord or string around the Joint #3 motor unit near its mounting plate.

Then, pull the cord using a force gauge or similar tool to apply the specified tension shown in the figure on the right.



- (13) Re-bundle the cables in their original positions with a wire tie removed in step (7).

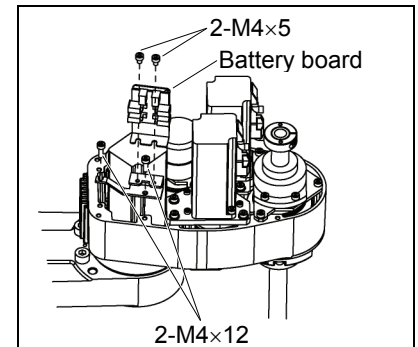
- (14) Connect the following connectors.

Connector X231, X241, X31, X32, and X41

- (15) Connect the backup connectors of Joint #3 and #4 (X63, X64) to the battery board.

Bundle the cables with wire tie to prevent the backup cable connectors from falling off by mistake.

- (16) Mount the battery board to Arm #2.



- (17) Mount the user plate and ground wire to Arm #2.

- (18) Install the arm top cover and the arm bottom cover.

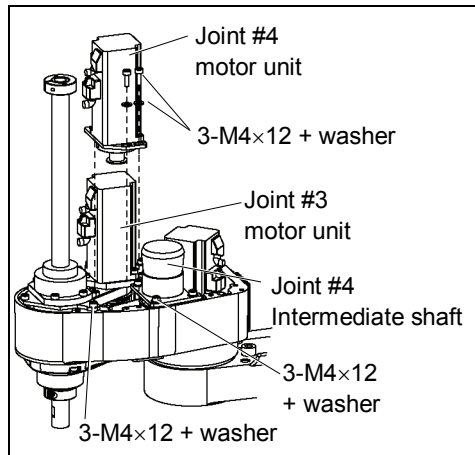
For details, refer to *Maintenance: 3. Covers*.

- (19) Perform the calibration of Joint #3.

For details on the calibration method, refer to *Maintenance: 14. Calibration*.

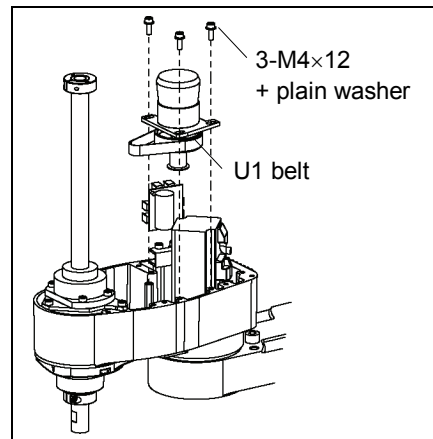
U1 belt  
Removal

- (1) Remove the Joint #4 motor with referring to the procedure of *Joint #4 motor Removal (1) to (9)*.



- (2) Remove the Joint #4 intermediate shaft unit.

- (3) Remove the U1 belt.



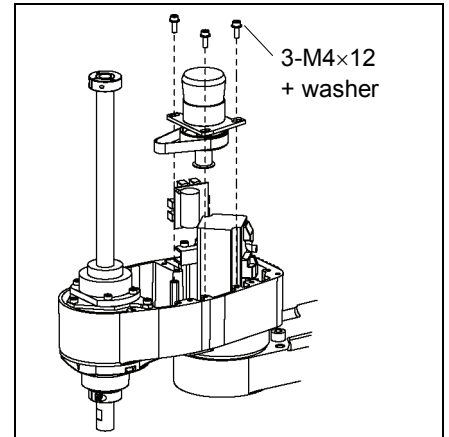
U1 belt  
Installation

- (1) Place the U2 belt in Arm #2 around the small pulley and put it on the Arm #2.

At this point, keep the U1 belt on the large pulley of Joint #4 intermediate unit.



NOTE Make sure the gear grooves of the belt are fit into those of the pulleys completely.



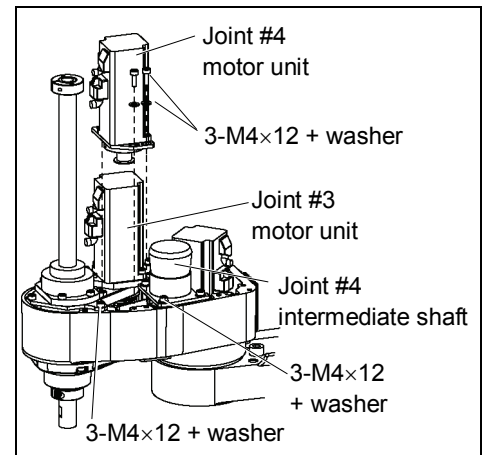
- (2) Loosely secure the Joint #4 intermediate unit.

Make sure the motor unit can be moved by hand, and it will not tilt when pulled.

If the unit is secured too loose or too tight, the belt will not have the proper tension.

- (3) Place the pulley in the U1 belt and put the Joint #4 motor unit to Arm #2.

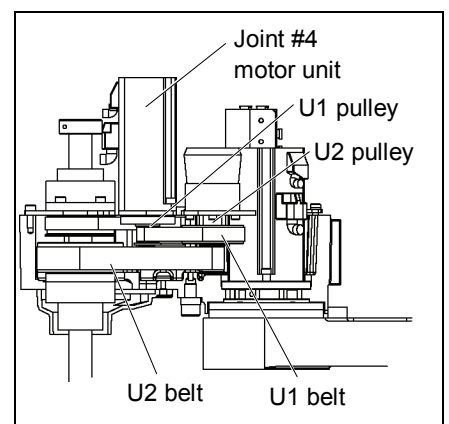
Make sure the gear grooves of the belt are fit into those of the pulleys completely.



- (4) Loosely secure the Joint #4 motor unit to Arm #2.

Make sure the motor unit can be moved by hand, and it will not tilt when pulled.

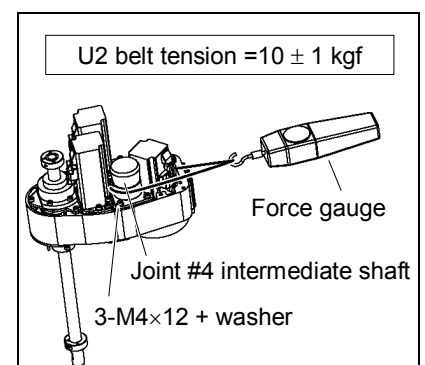
If the unit is secured too loose or too tight, the belt will not have the proper tension.



- (5) Apply the proper tension to the U2 belt, and then secure the Joint #4 intermediate shaft unit.

Pass a suitable cord or string around the Joint #4 intermediate unit near its mounting plate.

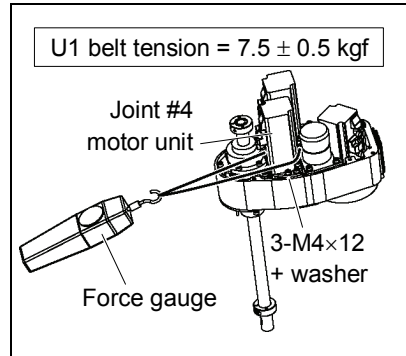
Then, pull the cord using a force gauge or similar tool to apply the specified tension shown in the figure on the right.



- (6) Apply the proper tension to the U1 belt, and then secure the Joint #4 intermediate shaft unit.

Pass a suitable cord or string around the Joint #4 motor unit near its mounting plate.

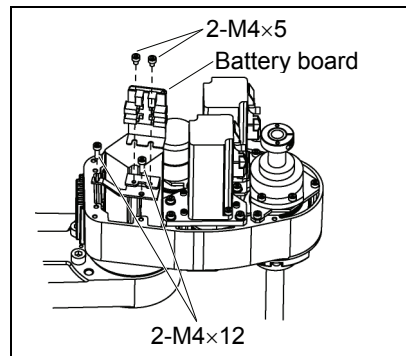
Then, pull the cord using a force gauge or similar tool to apply the specified tension shown in the figure on the right.



- (7) Connect the connector X241, X41.
- (8) Re-bundle the cables in their original positions with a wire tie removed in step (9).
- (9) Connect the backup connectors of Joint #4, X64 to the battery board.

Bundle the cables with wire tie to prevent the backup cable connectors from falling off by mistake.

- (10) Mount the battery board to Arm #2.



- (11) Mount the user plate and ground wire to Arm #2.
  - (12) Install the arm top cover and arm bottom cover.
- (13) Perform the calibration of Joint #4.

For details, refer to *Maintenance: 3. Covers*.

For details, refer to *Maintenance: 14. Calibration*.

## 9. Replacing Arm #1



- Do not insert or pull out the motor connectors while the power to the robot system is turned ON. Inserting or pulling out the motor connectors with the power ON is extremely hazardous and may result in serious bodily injury as the Manipulator may move abnormally, and also may result in electric shock and/or malfunction of the robot system.
- To shut off power to the robot system, pull out the power plug from the power source. Be sure to connect the AC power cable to a power receptacle. DO NOT connect it directly to a factory power source.
- Before performing any replacement procedure, turn OFF the Controller and related equipment, and then pull out the power plug from the power source. Performing any replacement procedure with the power ON is extremely hazardous and may result in electric shock and/or malfunction of the robot system.



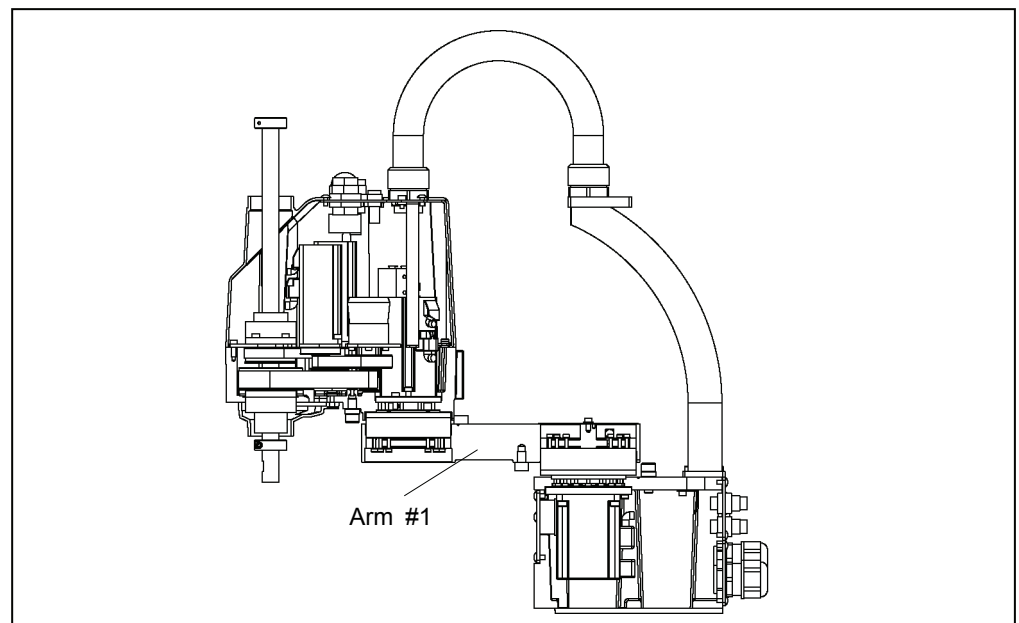
- Be careful not to apply excessive shock to the motor shaft when replacing the motors. The shock may shorten the life cycle of the motors and encoder and/or damage them.
- Never disassemble the motor and encoder. A disassembled motor and encoder will cause a positional gap and cannot be used again.

After parts have been replaced (motors, reduction gear units, brakes, timing belts, ball screw spline unit, etc.), the Manipulator cannot operate properly because a mismatch exists between the origin stored in each motor and its corresponding origin stored in the Controller.

After replacing the parts, it is necessary to match these origins.

The process of aligning the two origins is called “Calibration”.

Refer to *Maintenance: 14. Calibration* to perform the calibration.




## Maintenance 9. Replacing Arm #1

### Maintenance parts, tools

		Name	Quantity	Notes		
Maintenance parts	Table Top Mounting	Standard arm	250 mm	1	Arm #1_25ST	R12B031914
			300 mm	1	Arm #1_30ST	R12B031915
			350 mm	1	Arm #1_35ST	R12B031916
		Curved arm	300 mm	1	Arm #1_30B	R12B031917
			350 mm	1	Arm #1_35B	R12B031918
	Multiple Mounting	Standard arm	300 mm	1	Arm #1_M_30ST	R12B031919
			350 mm	1	Arm #1_M_35ST	R12B031920
Curved arm		350 mm	1	Arm #1_M_35B	R12B031921	
Tools	Hexagonal wrench (width across flats: 2.5 mm)		1	For screw M3		
	Torque wrench		1			
	Flathead screwdriver		1			

When changes the arm length, it requires the other cable unit for the new arm length.

Right / Left-curved arm have the shared maintenance parts.

 <b>CAUTION</b>	<ul style="list-style-type: none"> <li>■ Replacing Arm #1 should be done by two persons.</li> </ul> <p>There are dangers of main parts to fall or get damage.</p>
-----------------------------------------------------------------------------------------------------	-------------------------------------------------------------------------------------------------------------------------------------------------------------------

### Arm #1 Removal

- (1) Remove the arm cap.

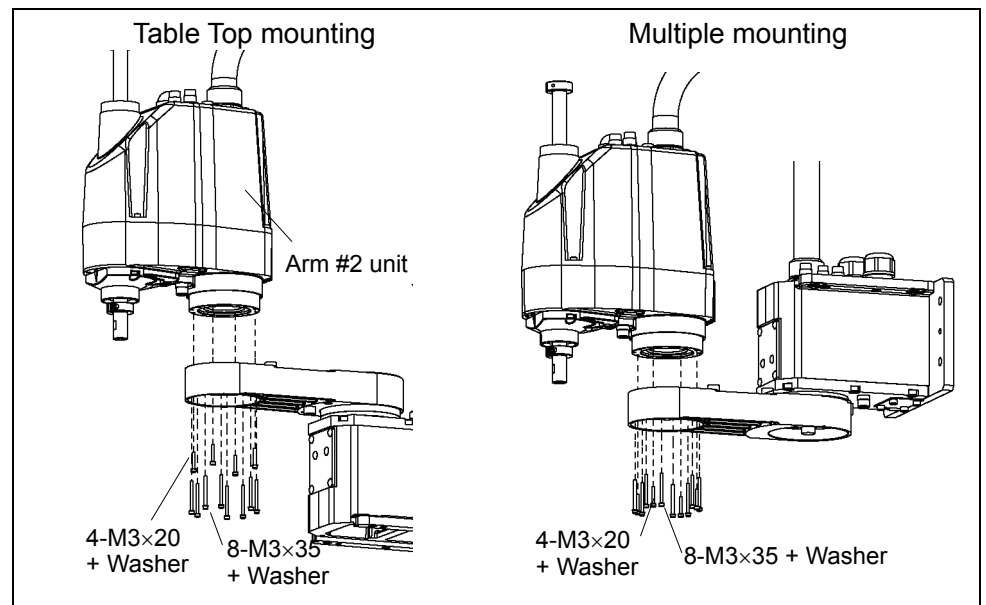
For details, refer to *Maintenance: 3.3 Arm Cap*.

- (2) Remove the harmonic mounting screws on the Joint #2 side and remove the Arm #2 unit.

This procedure should be done with an assistant. The assistant supports the Arm #2 unit.

Do not allow unnecessary strain on the cables.

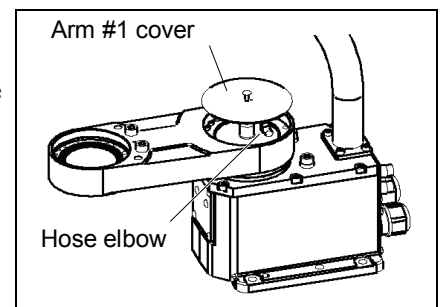
For Multiple mounting, removal direction of Joint “1 and #2 is the same. In this procedure, remove the only screws on the left side of figure.



- (3) Remove the O ring on the part where Arm #2 was mounted.

- (4) Remove the Arm #1 cover and hose elbow.

These parts are not attached for the Multiple mounting Manipulators.

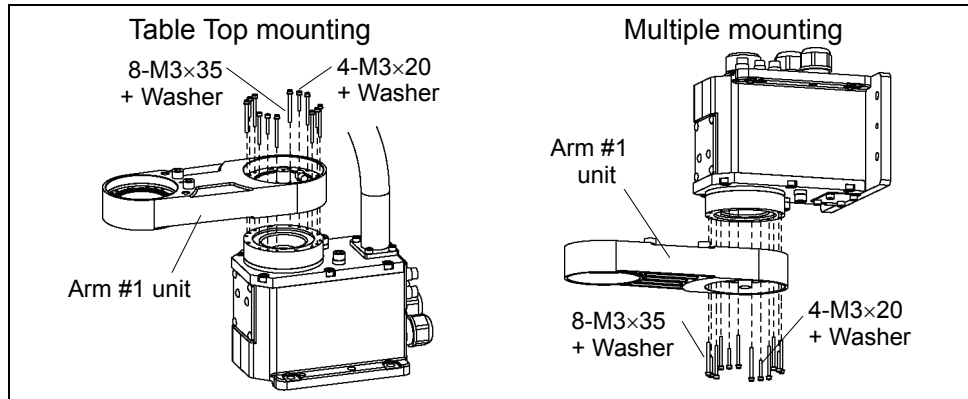


- (5) Remove the harmonic mounting screws on the Joint #1 side and remove the Arm #1 unit.

In case of Multiple mounting type,

Arm #1 falls without mounting screws. Support Arm #1 when removing the screws.

Remove the O ring which is attached to the Joint #1 mounting part.





Arm #1  
Installation

- (1) Prepare the spare Arm #1 and mount the mechanical stop.
- |             |           |       |         |                                   |
|-------------|-----------|-------|---------|-----------------------------------|
| Base side   | Table Top | M8×10 | 1 unit  | (Bottom surface, Center, 1 point) |
|             | Multiple  | M8×10 | 2 units | (Top surface, Center, 2 points)   |
| Arm #2 side |           | M8×10 | 2 units | (Top surface, Center, 2 points)   |

- (2) Insert the base side of Arm #1 to the harmonic drive of the base.

In case of Multiple mounting type,

Insert the O ring into the chase in the Joint #1 mounting surface of Arm #1 before mounting the arm.

Apply a small amount of grease for the reduction gear to the O ring.

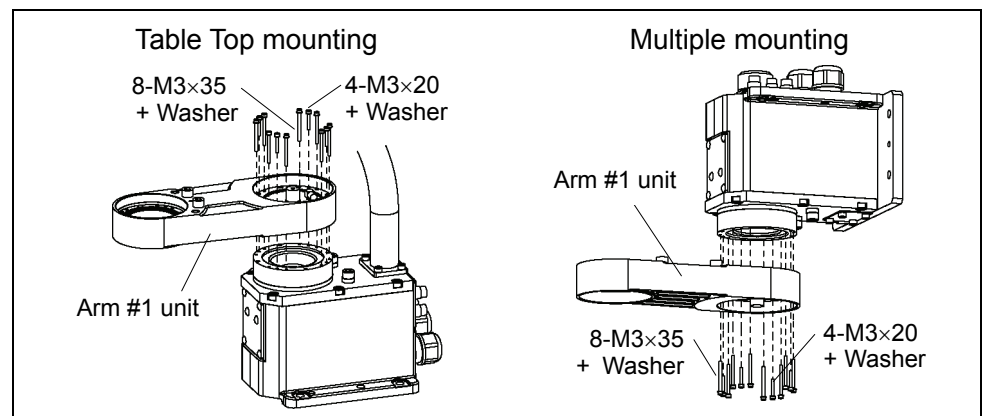
Fit with the space for the screws head of harmonic drive on Arm #1 side.

- (3) Put washer on screws and mount the Arm #1 unit with specified torque.

M3 tightening torque: 300 N·cm (30.6 kgf·cm)

Use 35 mm screws to all side and the middle one in each side is 20 mm.

Do not use the screws of different length. Otherwise, it causes a malfunction.



- (4) There is an O ring groove in the Arm #2 mounting part on Arm #1 side. Insert an O ring in the groove.

Apply a small amount of grease on the O ring.

- (5) Insert the Arm #2 side on Arm #1 to the harmonic drive of Arm #2.

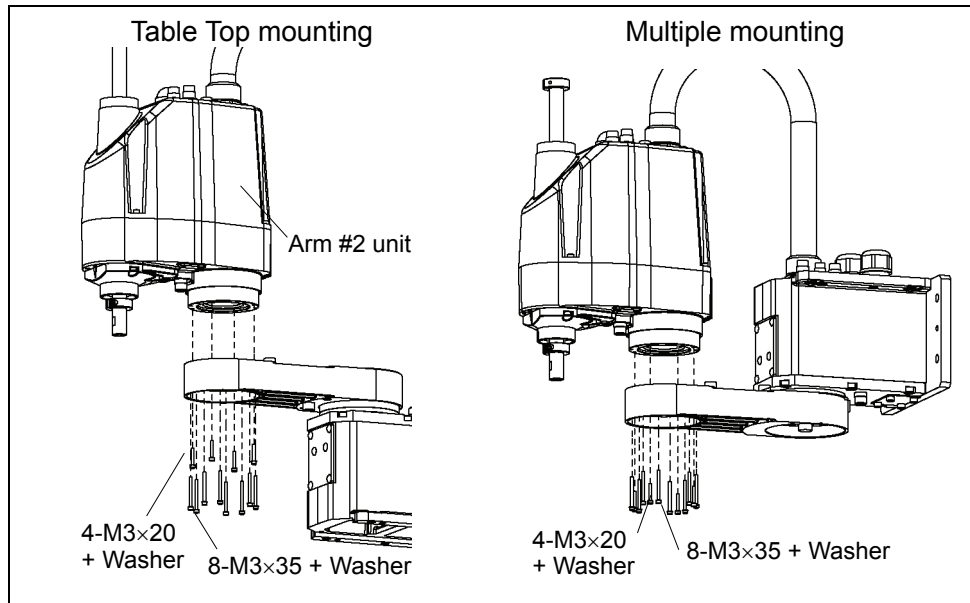
Fit with the space for the screws head of harmonic drive on Arm #2 side.

- (6) Put washer on screws and mount the Arm #1 unit with specified torque.

M3 tightening torque: 300 N·cm (30.6 kgf·cm)

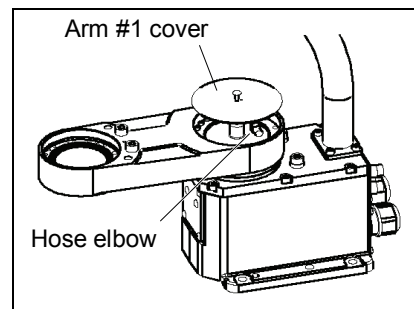
Use 35 mm screws to all side and the middle one in each side is 20 mm.

Do not use screws of different length. It causes a malfunction.



- (7) Mount the hose elbow and Arm #1 cover.

These parts are not attached to the Multiple mounting Manipulators.



- (8) Put the  $\theta 2$  movement direction label to the end of Arm #1, in Arm #2 side.

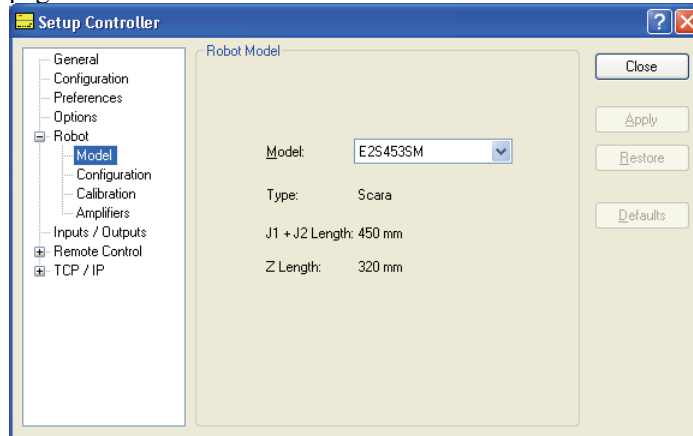


- After replacing the arm, do not fail to change the robot model in the software. If the model is different, it may cause a robot to malfunction. Also, the robot may collide with the mechanical stop and break it.

(9) Change the robot model.

(9)-1 From the Setup Menu, select Controller.

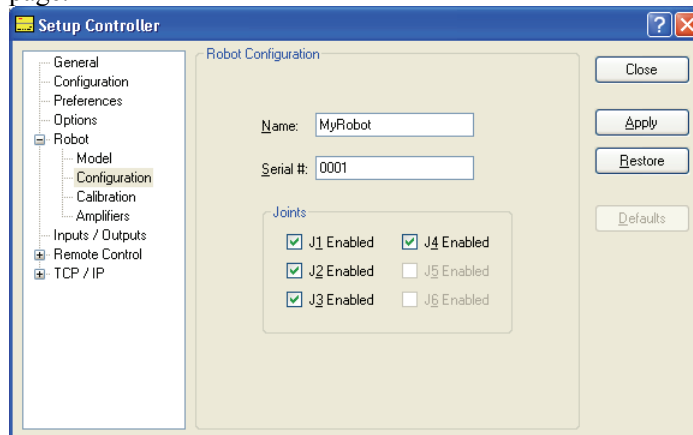
(9)-2 Click on the Robot folder in the tree on the left side to open the Robot Model page.



(9)-3 Select the model for your robot from the Model dropdown list. Only robot models that can be used with the amplifiers currently in the controller are listed. When using Dry Run, all robot models are shown in the list.

(9)-4 Click the **Apply** button to save settings.

(9)-5 Click on Robot Configuration in the tree to open the Robot Configuration page.




(9)-6 Type in a name for the new robot and enter the serial number from the robot's nameplate. Any serial number can be used, but it is recommended that you use the number that is stamped on the robot.

(9)-7 Click **Apply** to save settings.

(10) Perform the calibration of Joint #1, #2.

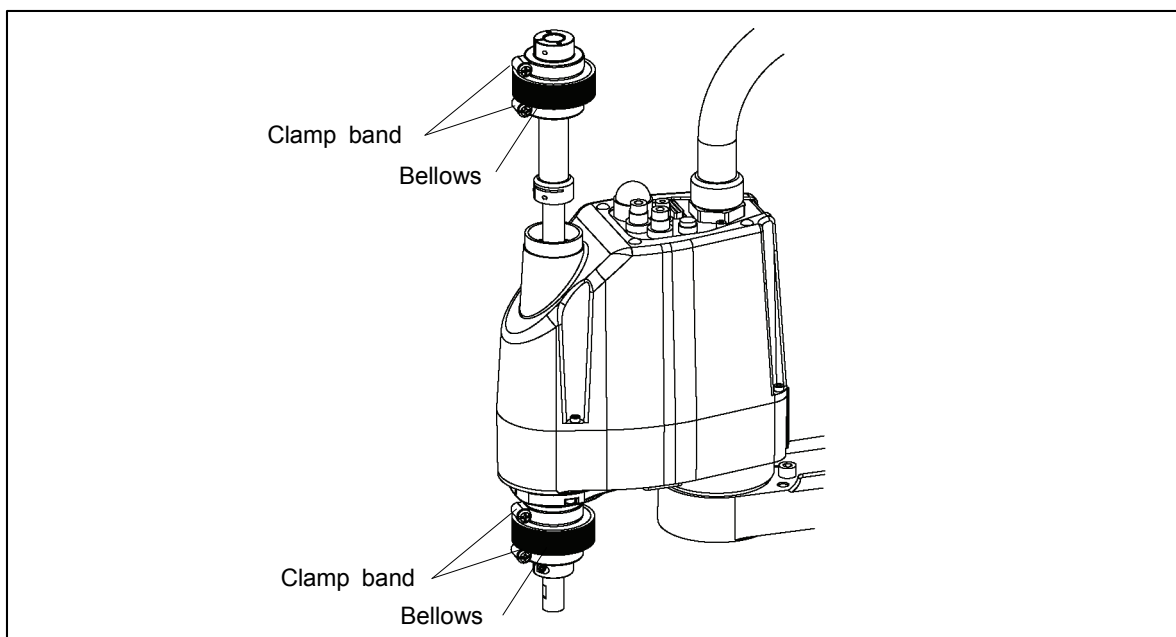
For details, refer to *Maintenance: 14. Calibration*.

## 10. Bellows

- NOTE** A large amount of dust is emitted when replacing the bellows.
-  Take the Manipulator to an outer room such as the room in front of the clean room's entrance, or take the necessary countermeasures to prevent dust emission before removing the bellows.

### Maintenance parts and Tools

	Name		Quantity	Note
Maintenance parts	Bellows	120 mm	1	R13B030701 Bellows are supplied in pairs.
Tools	Cross-point screwdriver		1	For clamp band removal



### Bellows Removal

- (1) Remove the end effector.
- (2) Remove the wires and tubes from the end effector.
- (3) Turn ON the controller. Stop motor excitation. (MOTOR OFF)
- (4) Loosen the two clamp bands on each bellows.
- (5) Pull the bellows and clamp bands out of the shaft.

## Bellows Installation

- (1) To attach the upper bellows, move the shaft to its lower limit.  
To attach the lower bellows, move the shaft to its upper limit.

To move the shaft up/down, press and hold the brake release button switch.

Be sure to keep enough space and prevent the end effector hitting any peripheral equipment.

The brake release button switch affects only Joint #3. When the brake release button switch is pressed, the brake for Joint #3 is released simultaneously.

Be careful of the shaft while the brake release button switch is being pressed because the shaft may be lowered by the weight of an end effector.

- (2) Pass the shaft through the bellows from the larger joint.
- (3) Secure the cover side of the bellows.

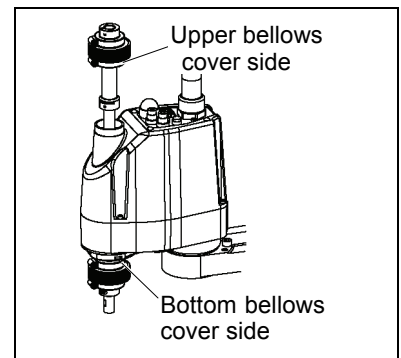
The bellows has two joints:

The larger joint must be attached to the cover side.

The smaller joint must be attached to the end face side of the shaft.

Attach the mounting part of the bellows until the end touches the cylindrical part of the cover.

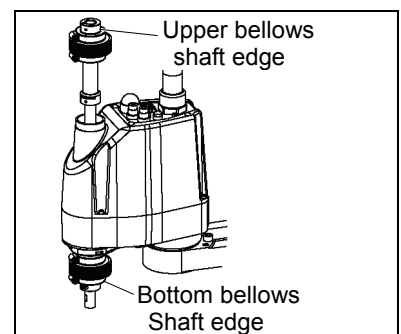
Then, secure them with clamp bands.



- (4) Secure the end face side of the bellows to the shaft.


Cover the bearing case (black) on the end face of the shaft with the bellows mounting part.

Then, secure them with clamp bands.



- (5) After completing the attachment of the bellows, move the shaft up/down by hand several times and rotate Joint #4. Make sure that the bellows can expand and contract smoothly without any excessive force.
- (6) Turn OFF the Controller and peripheral equipment.
- (7) Attach the end effector.
- (8) Connect the wires and tubes to the end effector.

## 11. Ball Screw Spline Unit

 WARNING	<ul style="list-style-type: none"> <li>■ Do not insert or pull out the motor connectors while the power to the robot system is turned ON. Inserting or pulling out the motor connectors with the power ON is extremely hazardous and may result in serious bodily injury as the Manipulator may move abnormally, and also may result in electric shock and/or malfunction of the robot system.</li> <li>■ To shut off power to the robot system, pull out the power plug from the power source. Be sure to connect the AC power cable to a power receptacle. DO NOT connect it directly to a factory power source.</li> <li>■ Before performing any replacement procedure, turn OFF the Controller and related equipment, and then pull out the power plug from the power source. Performing any replacement procedure with the power ON is extremely hazardous and may result in electric shock and/or malfunction of the robot system.</li> </ul>
----------------------------------------------------------------------------------------------	-----------------------------------------------------------------------------------------------------------------------------------------------------------------------------------------------------------------------------------------------------------------------------------------------------------------------------------------------------------------------------------------------------------------------------------------------------------------------------------------------------------------------------------------------------------------------------------------------------------------------------------------------------------------------------------------------------------------------------------------------------------------------------------------------------------------------------------------------------------------------------------------------------------------------------------------------------

**NOTE** After parts have been replaced (motors, reduction gear units, brakes, timing belts, ball screw spline unit, etc.), the Manipulator cannot operate properly because a mismatch exists between the origin stored in each motor and its corresponding origin stored in the Controller.

After replacing the parts, it is necessary to match these origins.

The process of aligning the two origins is called “Calibration”.

Refer to *Maintenance: 14. Calibration* to perform the calibration.

### 11.1 Greasing the Ball Screw Spline Unit

Maintenance parts and Tools

	Name	Quantity	Note
Maintenance parts	For Ball Screw Spline Unit (AFB grease)	Proper quantity	R13ZA00330200
Tools	Wiping cloth	1	For wiping grease (Spline shaft)
	Cross-point screwdriver	1	For clamp band removal Only for Cleanroom-model and Protected-model

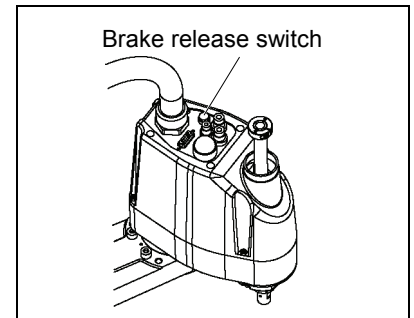
**NOTE** The brake release button switch affects only Joint #3. When the brake release button switch is pressed, the brake for Joint #3 is released simultaneously.

Be careful of the shaft while the brake release button switch is being pressed because the shaft may be lowered by the weight of the end effector.

### 11.1.1 Standard-model (S type)

Cover the surrounding area such as the end effector and peripheral equipment in case the grease drips.

- (1) Turn ON the Controller. Stop motor excitation. (MOTOR OFF)
- (2) Move the arm to a position where Joint #3 can be moved in full stroke.
- (3) Move the shaft to its upper limit manually while pressing the brake release button switch.
- (4) Turn OFF the Controller.
- (5) Wipe off the old grease from the upper part of the shaft, and then apply new grease to it.



When applying the new grease to the upper part of the shaft, directly fill the grooves on it by hand. Wipe off excess grease from the shaft.

- (6) Turn ON the Controller.
- (7) Move the shaft to its lower limit by hand while pressing the brake release button switch.
- (8) Wipe off the old grease from the lower part of the shaft, and then apply new grease to it.

When applying the new grease to the lower part of the shaft, directly fill the grooves on it by hand. Wipe off excess grease from the shaft.

- (9) Move the shaft up and down several times while pressing the brake release button switch to smooth out the grease on the shaft. Wipe off excess grease from the shaft.

When wiping off the excess grease from the upper part of shaft, turn OFF the Controller and remove the arm top cover.

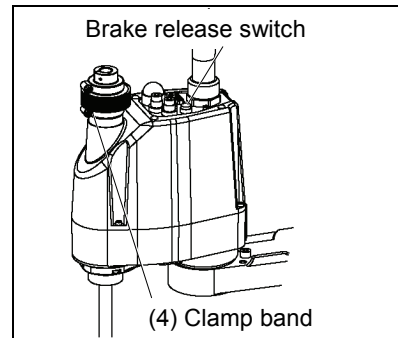
For details, refer to *Maintenance: 3.1 Arm Top Cover*.

11.1.2 Cleanroom-model (C with bellows)

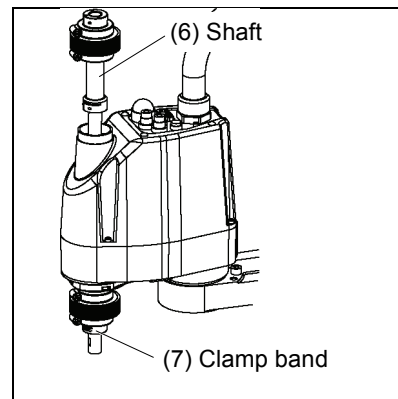
Cover the surrounding area such as the end effector and peripheral equipment in case the grease drips.

Upper Part of the Shaft

- (1) Turn ON the Controller. Stop motor excitation. (MOTOR OFF)
- (2) Move the arm to a position where Joint #3 can be moved in full stroke.
- (3) Move the shaft to its lower limit manually while pressing the brake release button switch.
- (4) Loosen the clamp band under the bellows, and then lift the bellows.
- (5) Move the shaft to its upper limit manually while pressing the brake release button switch.

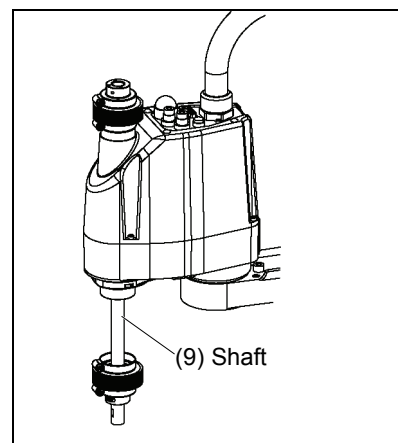


- (6) Wipe off the old grease from the upper part of the shaft, and then apply new grease to it.  
 Directly fill the grooves on the shaft inside the bellows with grease by hand.  
 Wipe off excess grease from the shaft.



Lower Part of the Shaft

- (7) Loosen the clamp band on the bellows, and then move the bellows downward.
- (8) Move the shaft to its lower limit manually while pressing the brake release button switch.
- (9) Wipe off the old grease from the lower part of the shaft, and then apply new grease to it.  
 Directly fill the grooves on the shaft inside the bellows with grease by hand.  
 Wipe off excess grease from the shaft.
- (10) Move the shaft up and down several times while pressing the brake release button switch to smooth out the grease on the shaft. Wipe off excess grease from the shaft.



- (11) Secure the bellows.

To attach the upper bellows, move the shaft to its lower limit.

To attach the lower bellows, move the shaft to its upper limit.

To move the shaft up/down, press and hold the brake release button switch.

Attach the mounting part of the bellows until it touches the cylindrical part of the cover.

Then, secure them with clamp bands.



## 11.2 Replacing the Ball Screw Spline Unit

A brake is mounted on the Joint #3 motor to prevent the shaft from moving down due to the weight of the end effector while the power to the Controller is OFF or while the motor is in OFF status (MOTOR OFF).

Note that the brake will not work during the replacement procedure.

Move the shaft down to its lower limit before starting the replacement procedure by following the removal steps from (1) to (3).

### Maintenance parts, Tools and Material

	Name	Quantity	Note
Maintenance parts	Ball Screw Spline Unit	1	Each manipulator model (Refer to <i>Maintenance: 15. Maintenance parts</i> )
	For Ball Screw Spline Unit (AFB grease)	Proper quantity	R13ZA00330200
Tools	Hexagonal wrench (width across flats: 3 mm)	1	For M4 screw
	Torque wrench	1	
	Nippers	1	For cutting wire tie
	Cross-point screwdriver	1	Only for Cleanroom-model
	Force gauge	1	Belt tension 98 N (10 kgf) / 74 N (7.5 kgf)
	Suitable cord (Length about 1000 mm)	1	For belt tension
	Wiping cloth	1	For wiping grease (Spline shaft)
Material	Wire tie	2	

### Ball screw spline unit Removal

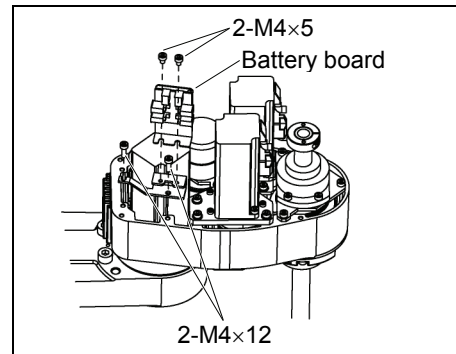
- (1) Turn ON the Controller.
- (2) Push down the shaft to its lower limit while pressing the brake release button switch. Be sure to keep enough space and prevent the end effector hitting any peripheral equipment.

The brake release button switch affects only Joint #3. When the brake release button switch is pressed, the brake for Joint #3 is released simultaneously.

Be careful of the shaft while the brake release button switch is being pressed because the shaft may be lowered by the weight of an end effector.

- (3) Turn OFF the Controller.
- (4) Detach the wires/tubes from the end effector, and remove the end effector.
- (5) This step is only for Cleanroom-model (C with bellows option).  
Remove the bellows. For details, refer to *Maintenance: 10. Bellows*.
- (6) Remove the arm top cover and arm bottom cover.  
For details, refer to *Maintenance: 3. Covers*.

- (7) Remove the battery board from Arm #2.



- (8) Remove the user plate and grounding wire from Arm #2.

- (9) Disconnect the following connectors.

Connectors X231, X31, X341, X41 (Hold the claw to remove.)

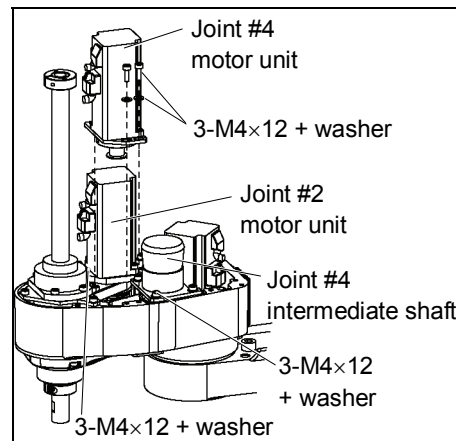
Connector X32

Connector X63, X64 (Backup cable connector for Joint #3, #4)

- (10) Remove the motor unit by pulling it up.

Remove the bolts securing the Joint #4 motor unit.

- (11) Remove the screws securing the ball screw spline of Arm #3 surface.

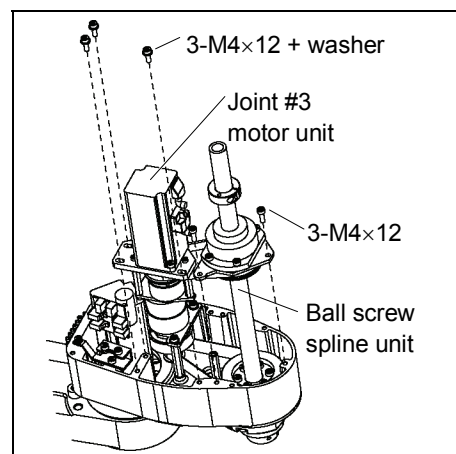


- (12) Remove the screws securing the Joint #3 motor unit.

- (13) Hold the rotator part of ball screw spline and Joint #3 motor up together.

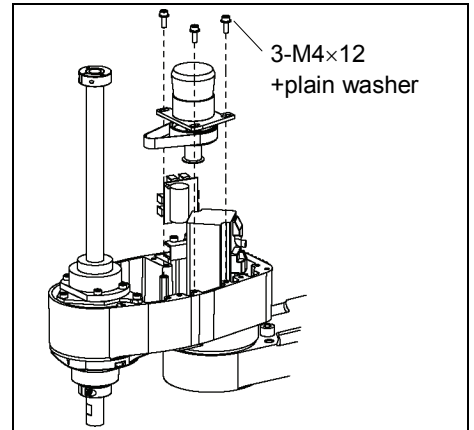
- (14) Hold the Joint #3 motor up.

Remove the belt by passing through the spline rotator part.



- (15) Remove the screws securing the Joint #4 intermediate unit.

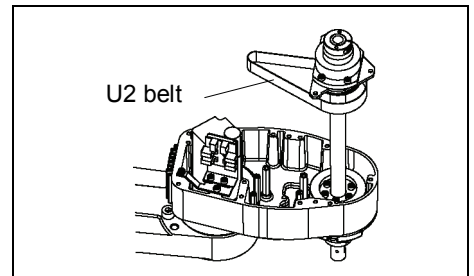
Remove the unit by pulling it up.



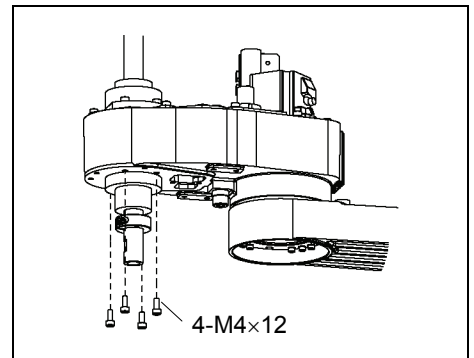
- (16) Remove the U2 belt.

- (17) Hold the spline upper rotator part.

Remove the U2 belt.



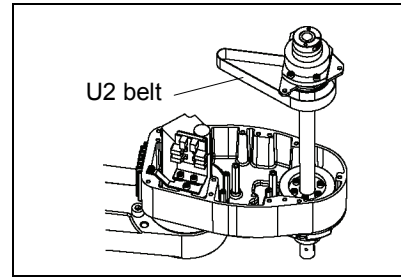
- (18) Remove the mounting screws of the ball screw spline shaft on the lower part of Arm #2.



- (19) Remove the ball screw spline unit by pulling it upward from Arm #2.

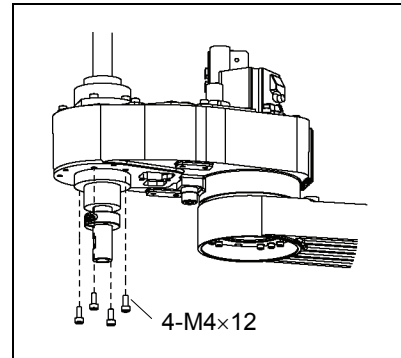
Ball screw  
spline unit  
Installation

- (1) Pass the U2 belt through the ball screw spline unit and U3 pulley and insert the belt to Arm #2 from above.




- (2) Secure the ball screw spline shaft on lower side of Arm #2.


Be careful not to put the timing belt between the nut and Arm #2.



- (3) Mount the ball screw spline unit.  
For the procedure, refer to *Maintenance: 8. Arm #4 – 8.2 Replacing the Timing Belt – U2 belt installation.*
- (4) Grease the shaft.  
For details, refer to *Maintenance: 11.1. Greasing the Ball Screw Spline Unit.*
- (5) Install the arm top cover and arm bottom cover.  
For details, refer to *Maintenance: 3. Covers.*
- (6) Turn OFF the Controller and peripheral equipment.
- (7) Install the end effector, and connect wires and tubes.
- (8) This step is only for Cleanroom-model. Install the bellows.  
For details, refer to *Maintenance: 10. Bellows.*
- (9) Perform the calibration of Joints #3 and #4.  
For details, refer to *Maintenance: 14. Calibration.*

## 12. Lithium Battery

 WARNING	<ul style="list-style-type: none"> <li>■ Do not insert or pull out the motor connectors while the power to the robot system is turned ON. Inserting or pulling out the motor connectors with the power ON is extremely hazardous and may result in serious bodily injury as the Manipulator may move abnormally, and also may result in electric shock and/or malfunction of the robot system.</li> <li>■ To shut off power to the robot system, pull out the power plug from the power source. Be sure to connect the AC power cable to a power receptacle. DO NOT connect it directly to a factory power source.</li> <li>■ Before performing any replacement procedure, turn OFF the Controller and related equipment, and then pull out the power plug from the power source. Performing any replacement procedure with the power ON is extremely hazardous and may result in electric shock and/or malfunction of the robot system.</li> </ul>
----------------------------------------------------------------------------------------------	-----------------------------------------------------------------------------------------------------------------------------------------------------------------------------------------------------------------------------------------------------------------------------------------------------------------------------------------------------------------------------------------------------------------------------------------------------------------------------------------------------------------------------------------------------------------------------------------------------------------------------------------------------------------------------------------------------------------------------------------------------------------------------------------------------------------------------------------------------------------------------------------------------------------------------------------------------

 WARNING	<ul style="list-style-type: none"> <li>■ Use meticulous care when handling the lithium battery. Improper handling of the lithium battery as mentioned below is extremely hazardous, may result in heat generation, leakage, explosion, or inflammation, and may cause serious safety problems.                      &lt;Improper Handling&gt;                     <ul style="list-style-type: none"> <li>- Battery Charge</li> <li>- Deformation by Pressure</li> <li>- Disassembly</li> <li>- Short-circuit (Polarity; Positive/Negative)</li> <li>- Incorrect Installation</li> <li>- Heating (85°C or more)</li> <li>- Exposing to Fire</li> <li>- Soldering the terminal of the lithium battery directly</li> <li>- Forced Discharge</li> </ul> </li> <li>■ When disposing of the battery, consult with the professional disposal services or comply with the local regulation.                      Spent battery or not, make sure the battery terminal is insulated. If the terminal contacts with the other metals, it may short and result in heat generation, leakage, explosion, or inflammation.</li> </ul>
------------------------------------------------------------------------------------------------	---------------------------------------------------------------------------------------------------------------------------------------------------------------------------------------------------------------------------------------------------------------------------------------------------------------------------------------------------------------------------------------------------------------------------------------------------------------------------------------------------------------------------------------------------------------------------------------------------------------------------------------------------------------------------------------------------------------------------------------------------------------------------------------------------------------------------------------------------------------------------------------------------------------------------------------------------------------------------------------------------------------------------------------------------------------------------------------------------------------------------------

When the lithium battery power is low, an error will occur to warn the user about the low battery status when the Controller is turned ON (when software is started up).

When the error occurs, the position data in motors will be lost and all joints need to be completely calibrated again.

The life span of the lithium battery is 3 years. Even if the Manipulator is constantly connected to power, the lithium battery needs to be replaced every 3 years.

Be sure to set the correct polar when installing the battery.

(Refer to *Maintenance: 15. Maintenance Parts List*.)

### Maintenance parts, Tools and Material

	Name	Quantity	Note
Maintenance parts	Battery unit (Lithium battery)	1	R13ZA00600300
	Battery board	1	R13B041202
Tools	Nippers	1	For cutting wire tie
	Hexagonal wrench (width across flats: 3 mm)	1	For M4 screw
Material	Wire tie	2	For fixing battery unit (battery)
		2	For fixing cable

## 12.1 Replacing the Battery Unit (Lithium Battery)

### Battery unit (lithium battery) Removal

- (1) Turn OFF the Controller.
- (2) Push down the shaft to its lower limit while pressing the brake release button switch. Be sure to keep enough space and prevent the end effector hitting any peripheral equipment.

The brake release button switch affects only Joint #3. When the brake release button switch is pressed, the brake for Joint #3 is released simultaneously.

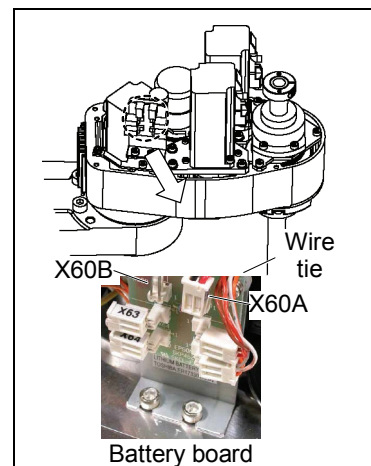
Be careful of the shaft while the brake release button switch is being pressed because the shaft may be lowered by the weight of an end effector.

- (3) Remove the arm top cover.  
For details, refer to *Maintenance: 3.1 Arm Top Cover*.

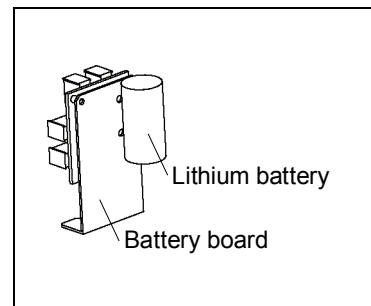
- (4) Connect the connector of the new lithium battery to the battery board.

User the unused connector of the two connectors X60A, X60B on the upper part of the battery board.

Be sure to connect the connector of the new battery before disconnecting the old battery. If the current battery is disconnected before connecting the new battery, the robot will lose the home position data and the calibration must be executed again.



- (5) Cut off the wire tie banding the lithium battery and remove the lithium battery.
- (6) Cut off the wire tie banding the lithium battery, Remove the battery.



### Battery unit (lithium battery) Installation

- (1) Mount the new lithium battery to the battery board.
- (2) Fix the cable of lithium battery and connector cable connecting to battery board with wire tie. Refer to the *Removal step (4)*.

- (3) Mount the arm top cover.  
For details, refer to *Maintenance: 3.1 Arm Top Cover*.

- (4) Turn ON the Controller.
- (5) Check if the Manipulator moves to points (poses) correctly.  
To do so, select 2 points (poses) or more from the registered points (poses) and move the Manipulator to the points (poses).

- (6) If the Manipulator does not move to the points (poses) correctly, perform the calibration of all joints and axes.  
For details, refer to *Maintenance: 14. Calibration*.

## 12.2 Replacing the Battery Board

After battery board and parts have been replaced (motors, reduction gear units, brakes, timing belts, ball screw spline unit, etc.), the Manipulator cannot operate properly because a mismatch exists between the origin stored in each motor and its corresponding origin stored in the Controller.

After replacing the parts, it is necessary to match these origins.

The process of aligning the two origins is called “Calibration”.

Refer to *Maintenance: 14. Calibration* to perform the calibration.

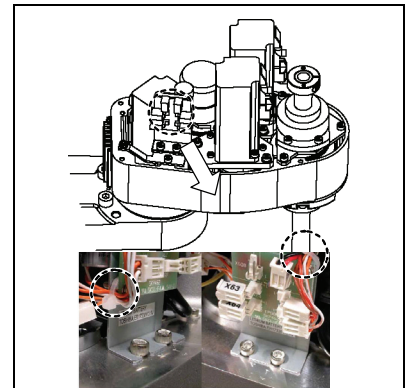
### Battery board Removal

- (1) Turn OFF the Controller.
- (2) Push down the shaft to its lower limit while pressing the brake release button switch. Be sure to keep enough space and prevent the end effector hitting any peripheral equipment.

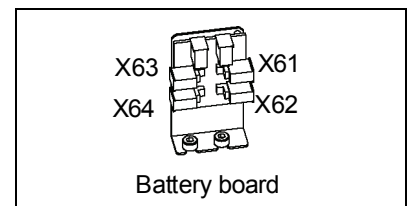
The brake release button switch affects only Joint #3. When the brake release button switch is pressed, the brake for Joint #3 is released simultaneously.

Be careful of the shaft while the brake release button switch is being pressed because the shaft may be lowered by the weight of an end effector.

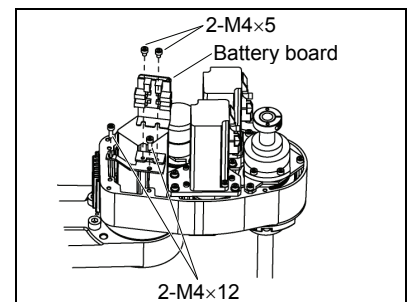
- (3) Remove the arm top cover.  
For details, refer to  
*Maintenance: 3.1 Arm Top Cover.*
- (4) Disconnect the wiring tie connecting the connector cable.



- (5) Disconnect the connectors X61, X62, X63, and X64 from the battery board.

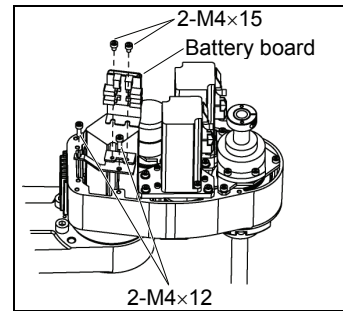


- (6) Loosen the screws securing the battery board and remove the battery board.

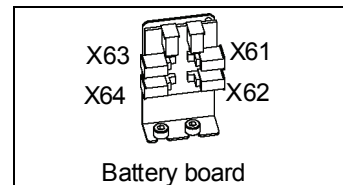


Battery board  
Installation

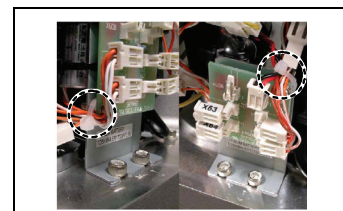
- (1) Mount the new battery board and secure it with screws.



- (2) Connect the connectors X61, X62, X63, and X64.




- (3) Fix the connector cable with wiring tie.  
Refer to *Removal step (4)*.



- (4) Mount the arm top cover.  
For details, refer to *Maintenance: 3.1 Arm Top Cover*.
- (5) Turn ON the Controller.
- (6) Perform the calibration of all joints.  
For details, refer to *Maintenance: 14. Calibration*.



## 13. LED Lamp

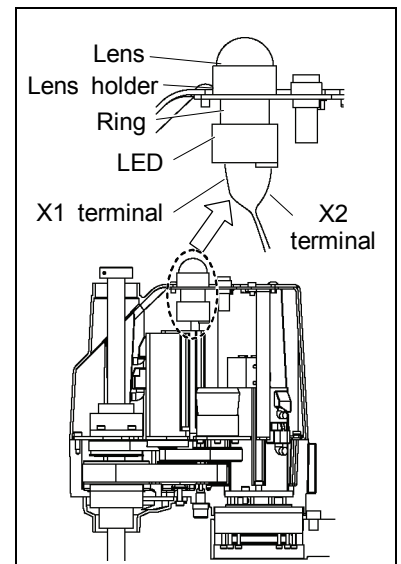
 <b>WARNING</b>	<ul style="list-style-type: none"> <li>■ Do not insert or pull out the motor connectors while the power to the robot system is turned ON. Inserting or pulling out the motor connectors with the power ON is extremely hazardous and may result in serious bodily injury as the Manipulator may move abnormally, and also may result in electric shock and/or malfunction of the robot system.</li> <li>■ To shut off power to the robot system, pull out the power plug from the power source. Be sure to connect the AC power cable to a power receptacle. DO NOT connect it directly to a factory power source.</li> <li>■ Before performing any replacement procedure, turn OFF the Controller and related equipment, and then pull out the power plug from the power source. Performing any replacement procedure with the power ON is extremely hazardous and may result in electric shock and/or malfunction of the robot system.</li> </ul>
-----------------------------------------------------------------------------------------------------	-----------------------------------------------------------------------------------------------------------------------------------------------------------------------------------------------------------------------------------------------------------------------------------------------------------------------------------------------------------------------------------------------------------------------------------------------------------------------------------------------------------------------------------------------------------------------------------------------------------------------------------------------------------------------------------------------------------------------------------------------------------------------------------------------------------------------------------------------------------------------------------------------------------------------------------------------------

### Maintenance parts, Tools and Material

	Name	Quantity	Note
Maintenance parts	LED Lamp	1	R13A030000200
Tools	Cross-point screwdriver	1	For wire removal
	Nippers	1	
Material	Wire tie	1	

#### LED Lamp Removal

- (1) Remove the arm top cover.  
For details, refer to *Maintenance: 3.1 Arm Top Cover*.
- (2) Remove the user plate from the Arm #2 cover.
- (3) Disconnect the X1 and X2 terminals from the LED.
- (4) Turn the lens counterclockwise to remove it. Then, turn the lens holder counterclockwise to remove it.
- (5) Remove the LED and ring from the user plate.



#### LED Lamp Installation

- (1) Connect the X1 and X2 terminals to the LED.  
Each terminal must be connected to its terminal number on the LED.
- (2) Put the user plate between the ring and lens holder, and then mount the LED on the arm top cover.
- (3) Install the lens to the lens holder.
- (4) Mount the user plate to Arm #2.
- (5) Install the arm top cover.  
For details, refer to *Maintenance: 3.1 Arm Top Cover*.


# 14. Calibration

## 14.1 About Calibration

After parts have been replaced (motors, reduction gear units, timing belts, etc.), the Manipulator cannot execute the positioning properly because a mismatch exists between the origin stored in each motor and its corresponding origin stored in the Controller. After replacing the parts, it is necessary to match these origins.

The process of aligning the two origins is called “Calibration”. Note that calibration is not the same as teaching\*.

\*: “Teaching” means to teach the Controller coordinate points (including poses) anywhere in the operating area of the Manipulator.

 WARNING	<ul style="list-style-type: none"> <li>■ To ensure safety, a safeguard must be installed for the robot system. For details on the safeguard, refer to EPSON RC+ User’s Guide: <i>2.4 Installation and Design Precautions</i>.</li> <li>■ Before operating the robot system, make sure that no one is inside the safeguarded area. The robot system can be operated in the mode for teaching even when someone is inside the safeguarded area. The motion of the Manipulator is always in restricted (low speeds and low power) status to secure the safety of an operator. However, operating the robot system while someone is inside the safeguarded area is extremely hazardous and may result in serious safety problems in case that the Manipulator moves unexpectedly.</li> </ul>
----------------------------------------------------------------------------------------------	------------------------------------------------------------------------------------------------------------------------------------------------------------------------------------------------------------------------------------------------------------------------------------------------------------------------------------------------------------------------------------------------------------------------------------------------------------------------------------------------------------------------------------------------------------------------------------------------------------------------------------------------------------------------------------------------------------------------------------------------------------------------------------------

### Command Input

Calibration procedures include the process to input commands. Select EPSON RC+ menu-[Tools]-[Command Window] to use the command window.

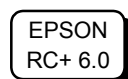
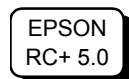
The information above is omitted in the calibration procedure.

### Jog Motion

The process to set the jog motion is included in the [Jog & Teach] page of the Robot Manager. Select EPSON RC+ menu-[Tools]-[Robot Manager] and select the [Jog & Teach] tab to use the [Jog & Teach] page.

The page above is indicated as [Jog & Teach] in the calibration procedure.

In the following calibration procedure, it uses EPSON RC+ 5.0. When the procedure is different for each type of software, see your software type.



## 14.2 Calibration Procedure

EPSON RC+ has a wizard for calibration.

This section indicates the calibration using the calibration wizard of EPSON RC+.

EPSON  
RC+ 5.0

You can also calibrate with option TP1 in TEACH mode. For details, refer to RC170/RC180 option Teach pendant *TP1 manual, Operation: 2.7 Calibrating Origin: E2 Series / G Series / RS series*.

The same calibration procedure is used for each joint.

The follow the steps below are calibration using Joint #1. Follow the steps below to calibrate other joints.

When coordinates for the Manipulator working point require calculation, it is important for Joint #2 to be calibrated accurately. Execute the procedure in “Calibration Using Right / Left Arm Orientations” to accurately calibrate Joint #2. For details, refer to *Maintenance: 14.3 Accurate Calibration of Joint #2*.

When calibrating Joint #4, you must calibrate Joint #3 and #4 at the same time. You cannot calibrate Joint #4 alone because of the structure of the Manipulator.

NOTE  

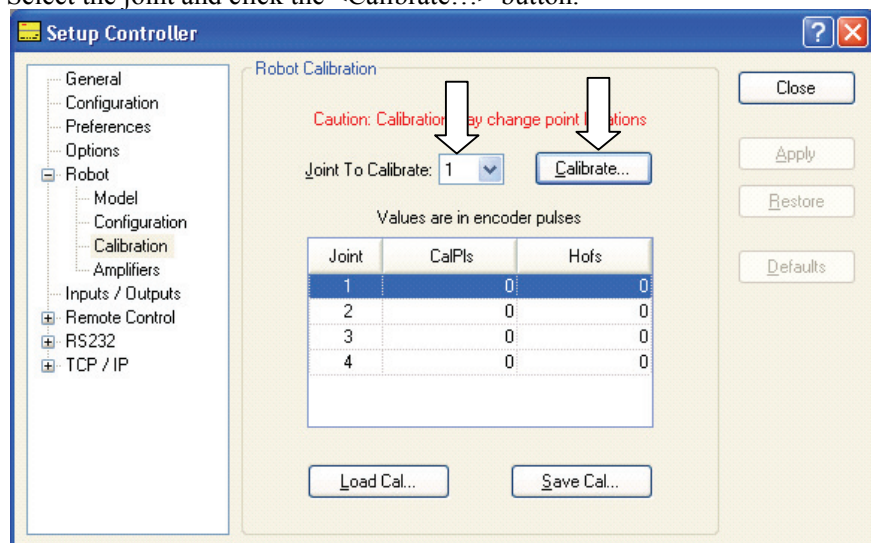

If Err9716 or 5016 (Power supply failure of the absolute encoder. Replace the battery. Check the robot internal wiring) occurs, apply the procedure of *14.4 Calibration Procedure without using Calibration Wizard - 3. Encoder Initialization* and then, start the calibration wizard.

The reference point (a point to check the accuracy) needs to be specified for calibration.

(1) Start the calibration wizard.

EPSON  
RC+ 5.0

- i. Select EPSON RC+ menu-[Setup]-[Controller] to display the [Controller] dialog.
- ii. Select [Robot]-[Calibration] to display [Robot Calibration].
- iii. Select the joint and click the <Calibrate...> button.



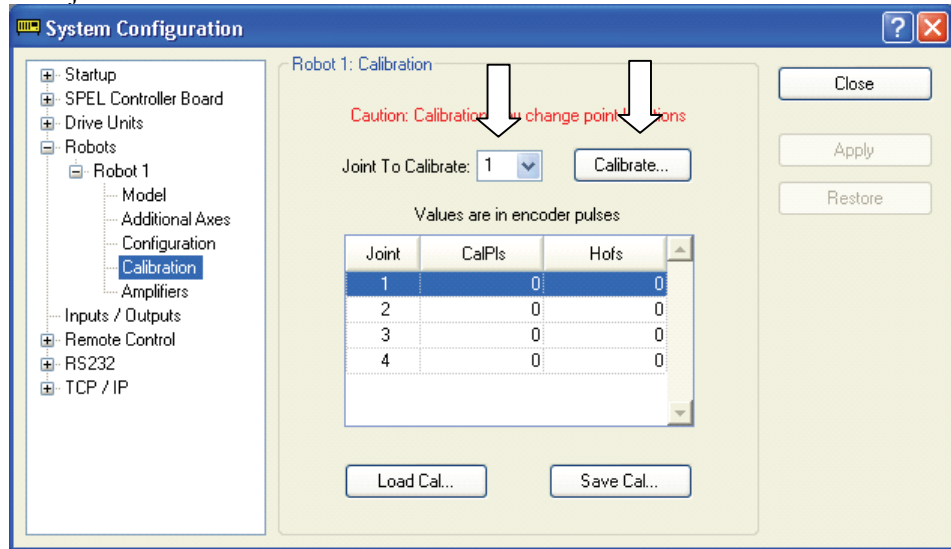
EPSON  
RC+ 6.0

- i. Select EPSON RC+ 6.0 menu-[Setup]-[System Configuration].
- ii. Select the [Robot]-[Robot\*\*]-[Calibration].

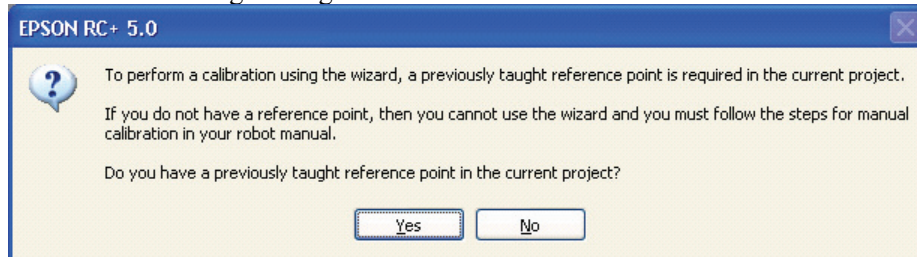


Only selected robot can be calibrated.

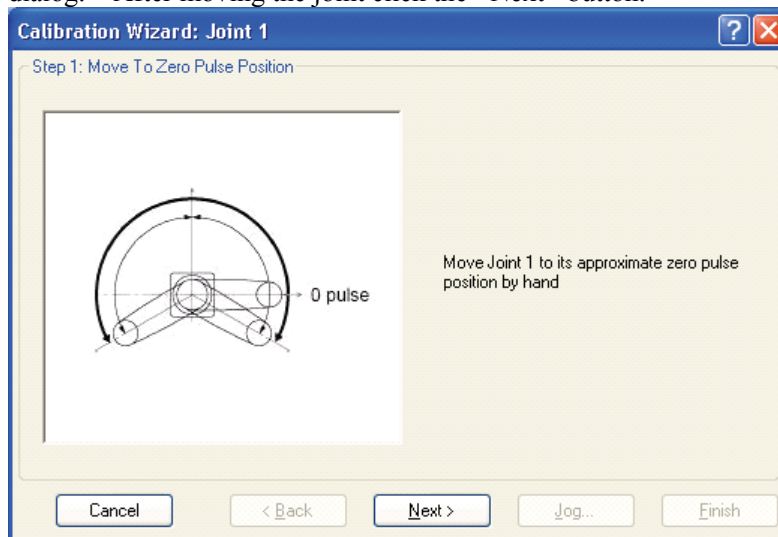
- iii. Select the joint and click the <Calibrate...> button.



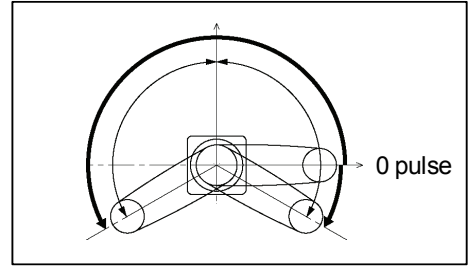
- (2) Confirm the warning message and click the <Yes> button.



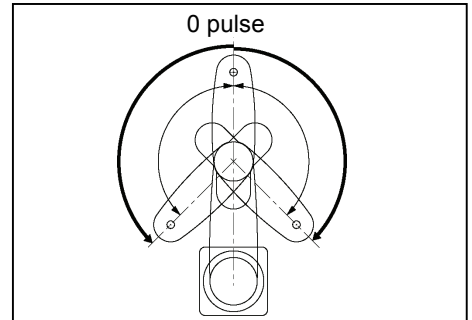
- (3) Move the joint to calibrate manually to approximate zero position, as shown in the dialog. After moving the joint click the <Next> button.



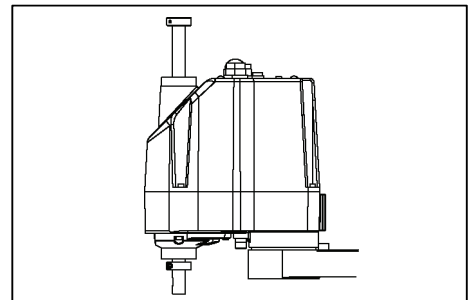
0 pulse position of Joint #1:  
position aligned with X-axis in  
Robot coordinate system



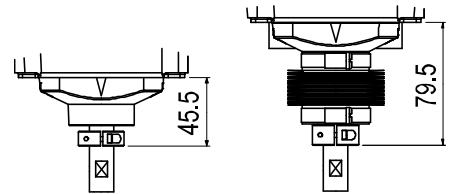
0 pulse position of Joint #2:  
position where Arms #1  
and #2 are in a straight line  
(Regardless of the Joint #1  
direction.)



0 pulse position of Joint #3:  
upper limit position in  
motion range



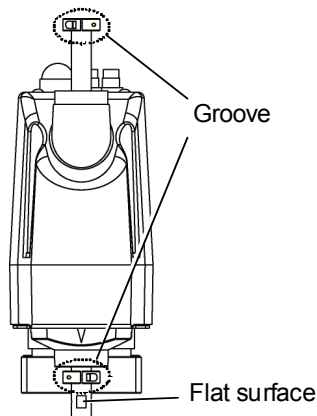
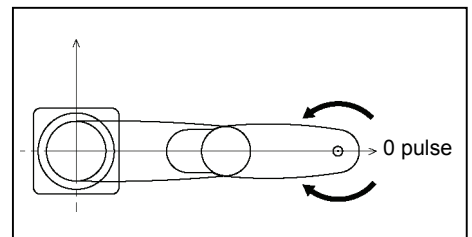
The height of Joint #3  
depends on manipulator  
model.



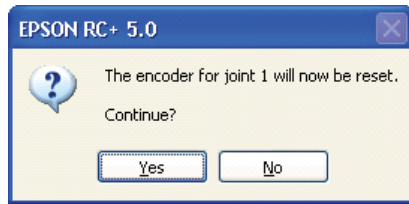
Standard model

Cleanroom model

0 pulse position of Joint #4:  
position where the flat surface  
(or groove in the up/down  
mechanical stop) on the shaft  
faces toward the tip of Arm #2

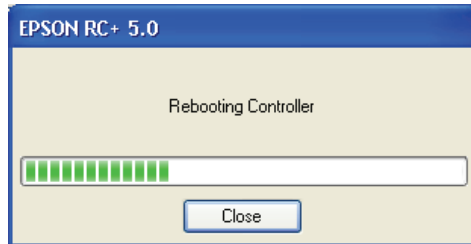


- (4) Click the <Yes> button to reset the encoder.



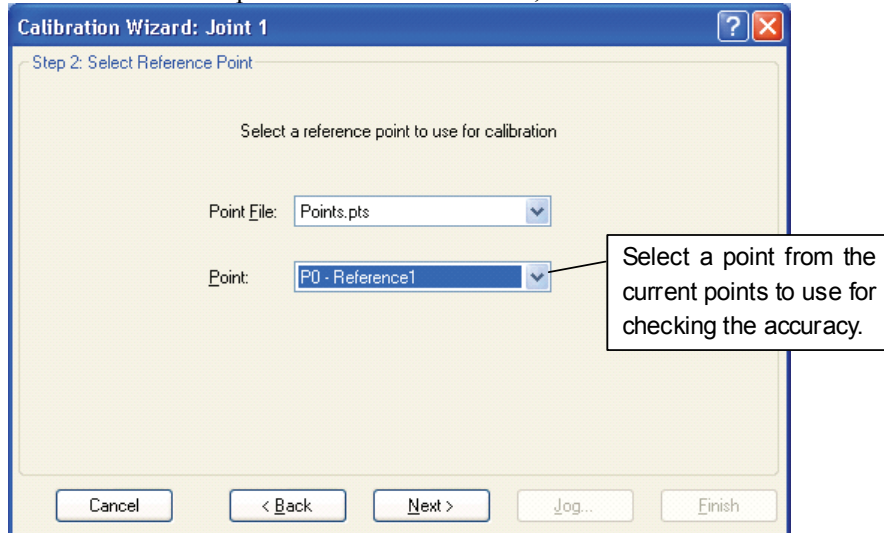
\* This window will disappear when the Controller starts up.

- (5) Reboot the Controller.

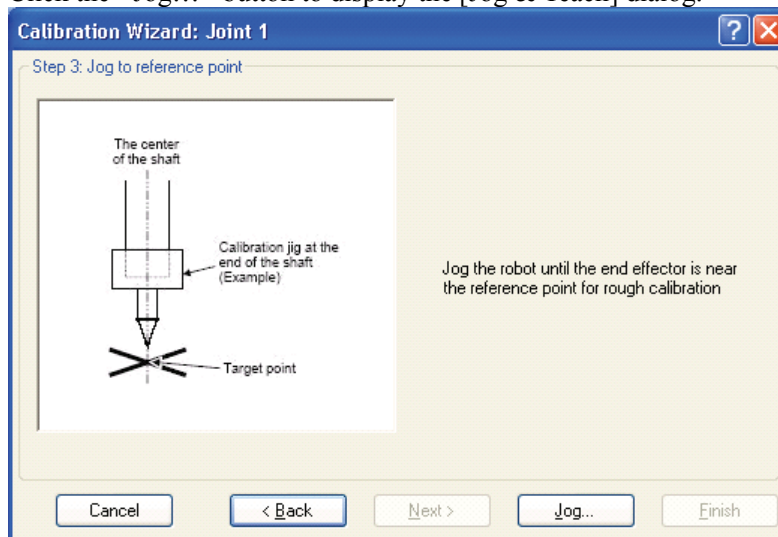


\* This window will disappear when the Controller starts up.

- (6) Select the reference point to use for calibration, and click the <Next> button.

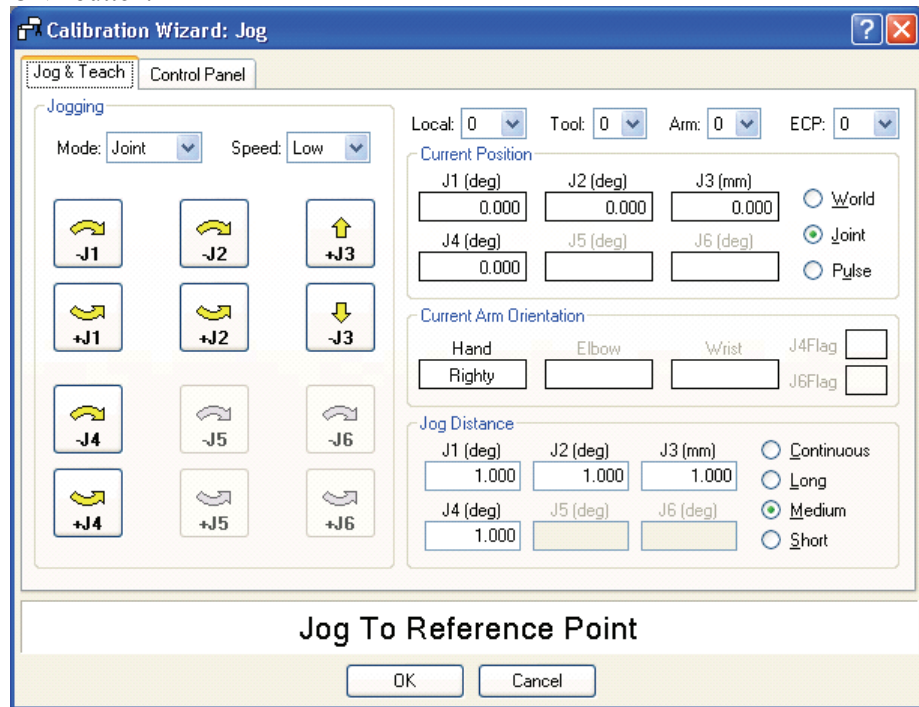


- (7) Click the <Jog...> button to display the [Jog & Teach] dialog.

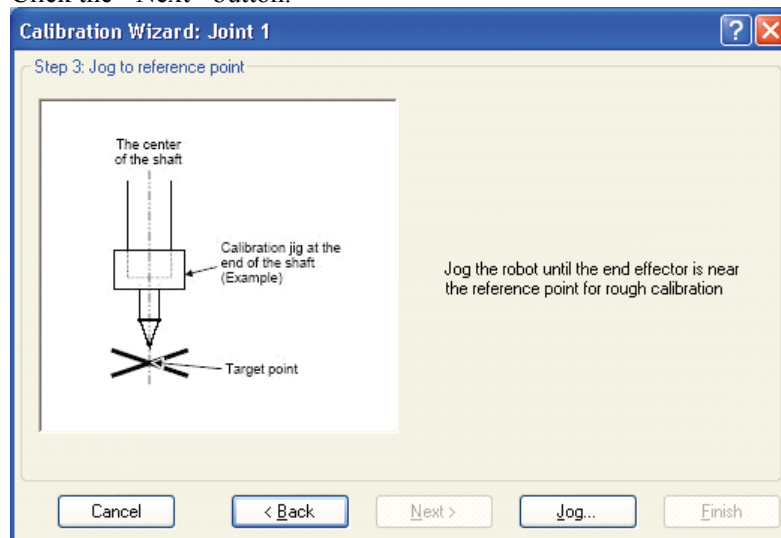


- (8) Jog the end effector to approximate reference point in the [Jog & Teach] dialog for rough calibration. Then click the <OK> button.

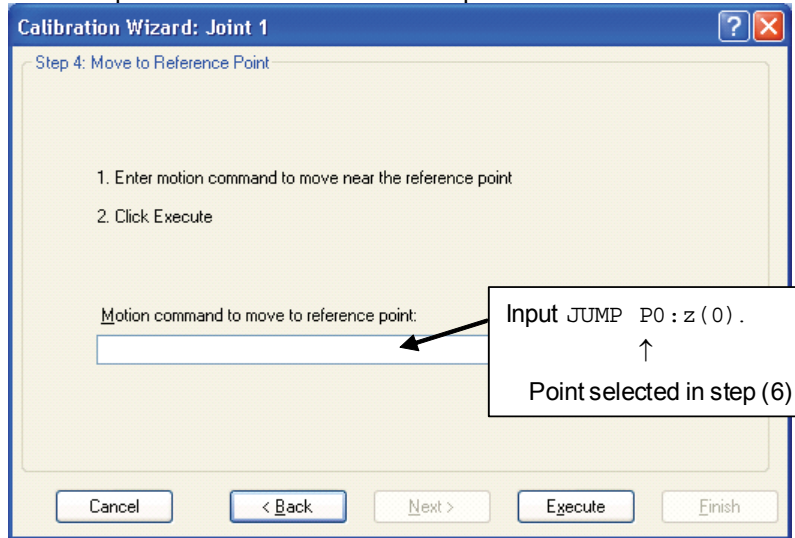
\* Before operating the robot, open the [Jog & Teach] tab and click on the <Motor ON> button.



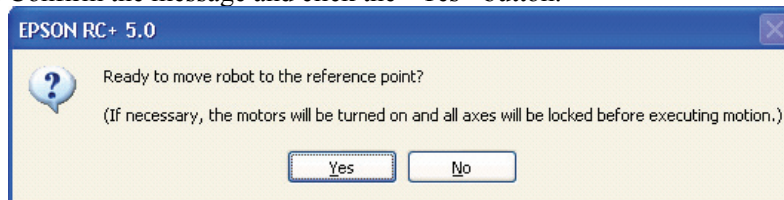
- (9) Click the <Next> button.



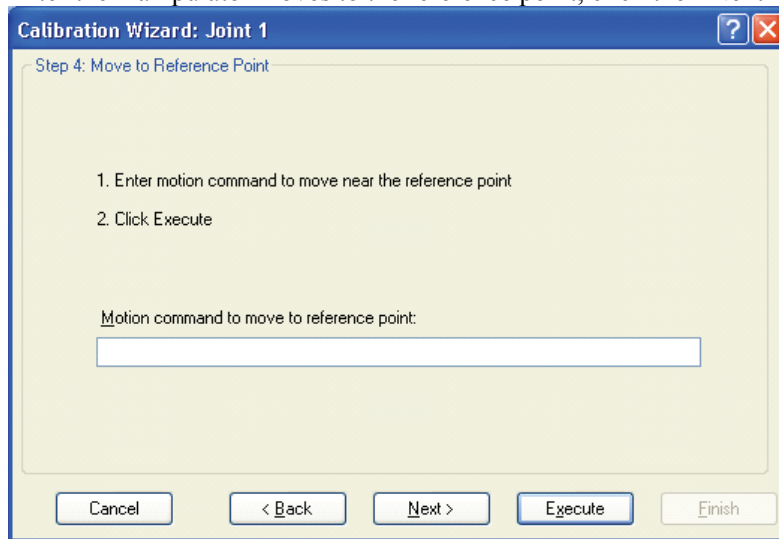
(10) The manipulator moves to the reference point. Click the <Execute> button.



(11) Confirm the message and click the <Yes> button.

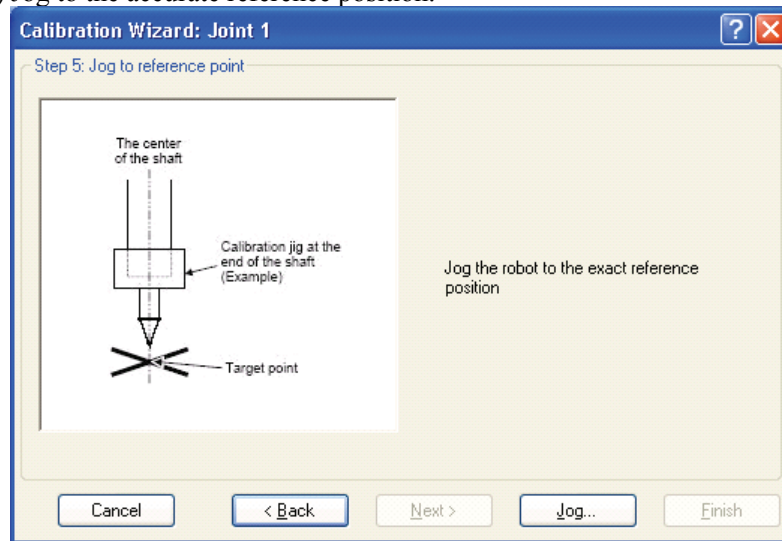


(12) After the manipulator moves to the reference point, click the <Next> button.

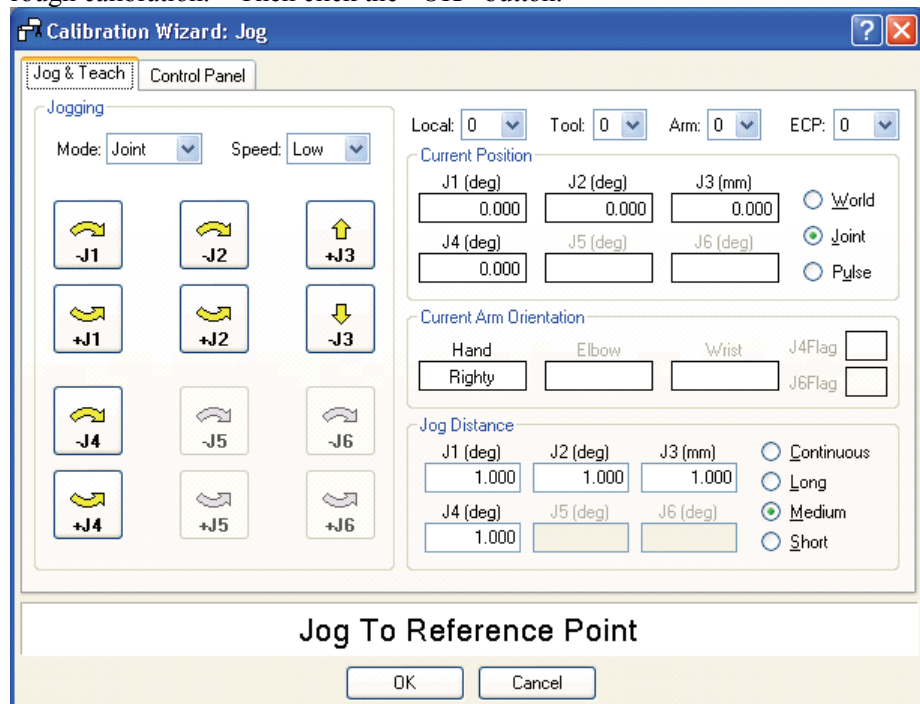




(13) Jog to the accurate reference position.

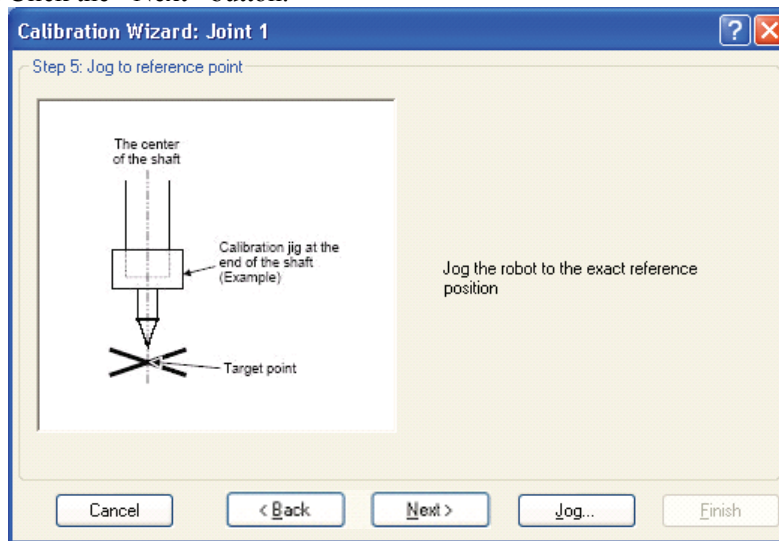


(14) Jog the end effector to approximate reference point in the [Jog & Teach] dialog for rough calibration. Then click the <OK> button.



\* Position Joint #2 only and move Joint #3 to around 0 pulse.

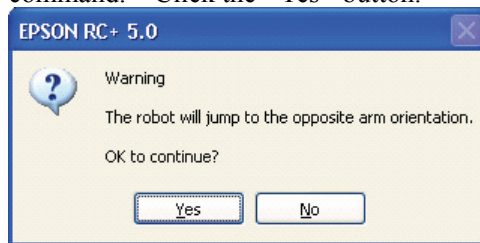
(15) Click the <Next> button.



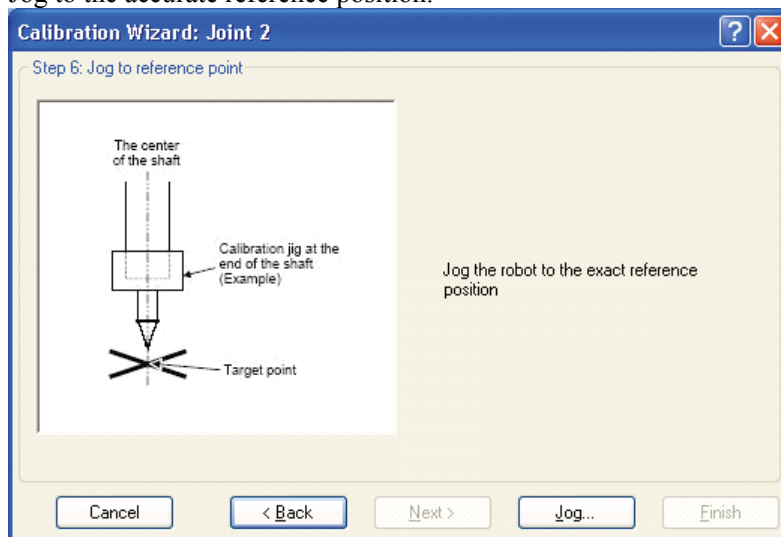
(16) Execute the procedure in “Calibration Using Right / Left Arm Orientations” to accurately calibrate Joint #2.

Go on to the step (17) for the other joints calibration.

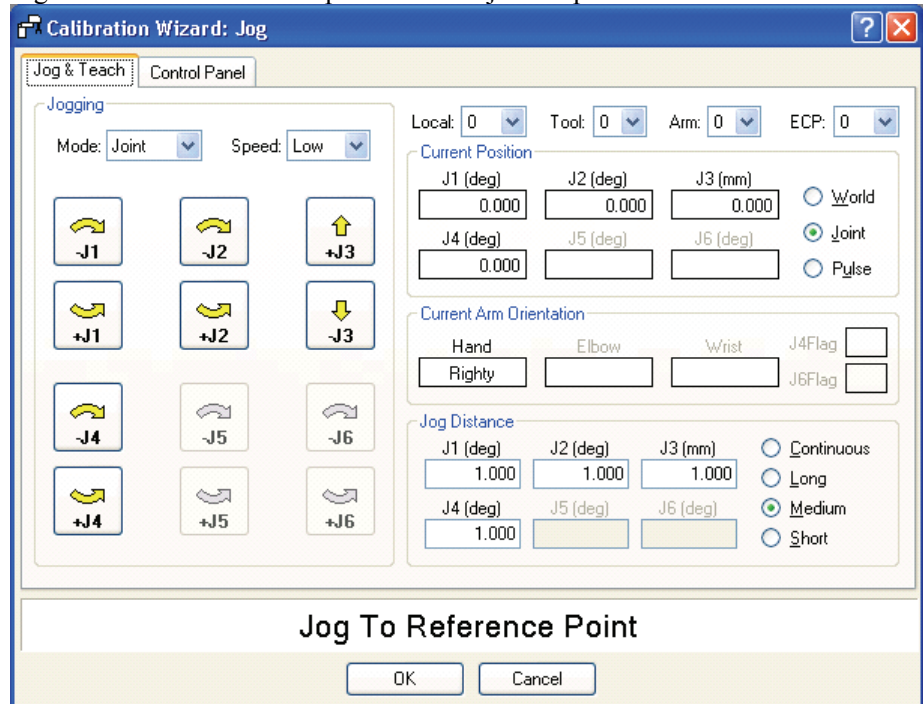
i. Move to another point that has different pose (from righty to lefty) using Jump command. Click the <Yes> button.



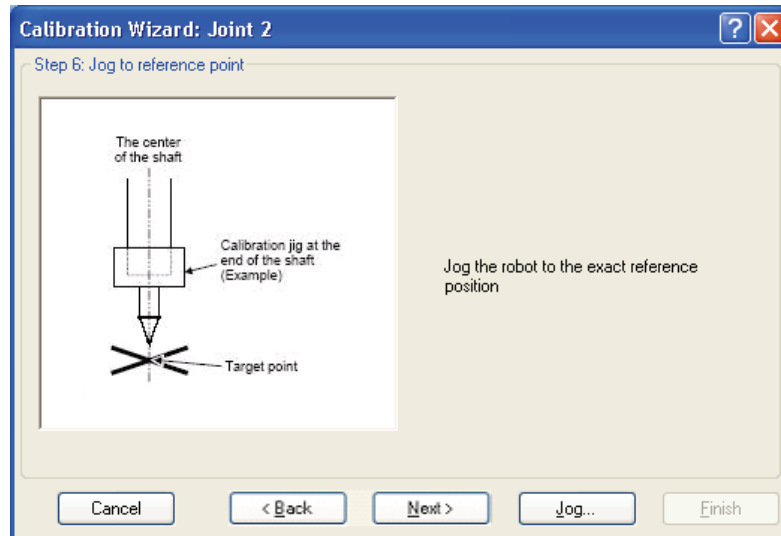
ii. Jog to the accurate reference position.



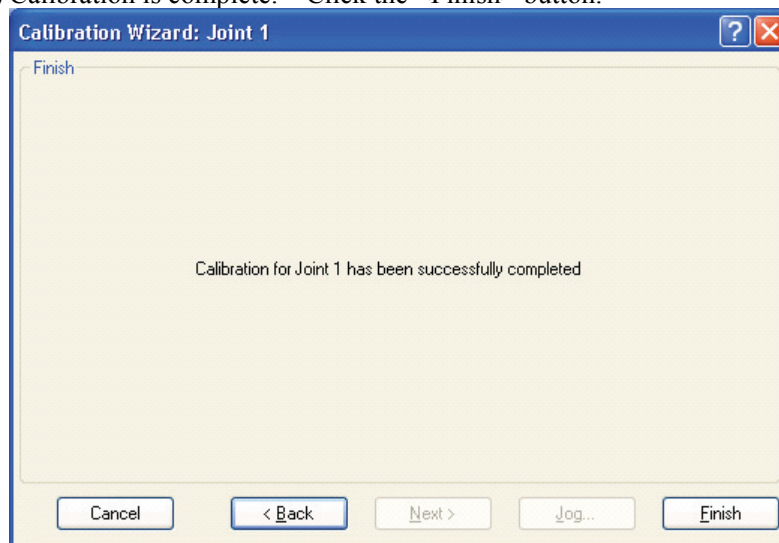
iii. Jog to the accurate reference position and adjust the position. Click the <OK> button.



iv. Click the <Next> button.



(17) Calibration is complete. Click the <Finish> button.



(18) Move the manipulator to other points and check if it can move without problems.  
Teach points where appropriate.

## 14.3 Accurate Calibration of Joint #2

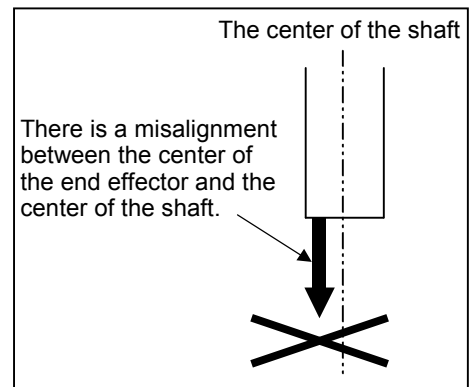
When coordinates for the Manipulator working point require calculation, it is important for Joint #2 to be calibrated accurately.



If the accuracy of Joint #2 is not obtained through the steps in the section *14.2 Calibration Procedure*, follow the steps below “Calibration Using Right / Left Arm Orientations” to accurately calibrate Joint #2.

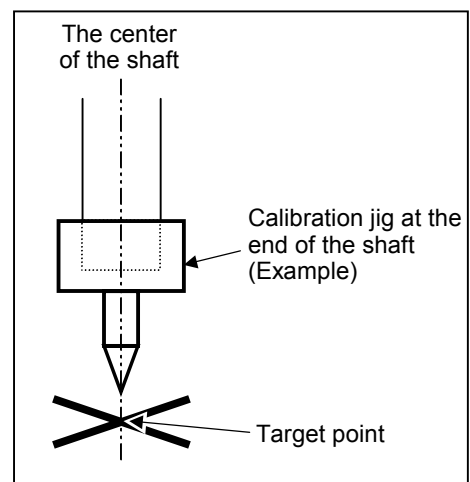
The reference point is the center of the ball screw spline shaft during this calibration.

When there is a misalignment between the center of the end effector and the center of the ball screw spline shaft, remove the end effector and perform the calibration of the shaft.



Make a calibration jig as shown in the right figure and attach it on the end of the shaft to make the center of the shaft clear.

Decide a target point and mark a cross (×) on it so that you can easily verify the center of the shaft after switching the arm pose between right and left.



After removing the end effector and performing the calibration, install the end effector and move the Manipulator to the teaching point to verify whether there is a positional gap. If there is a positional gap, fine-tune the installation position of the end effector and teach the point again.

Coordinates for the working point requires calculation in the following cases:

- Teaching the working point by entering the coordinate values (MDI teaching)
- Switching the arm orientation between right and left at a given point
- Using the Pallet command
- Executing CP control (such as linear or circular interpolation)
- Using the Local command
- Pose data specified with relative coordinates <Example: P1+X(100)>
- Vision Guide camera calibrations

## Calibration Using Right / Left Arm Orientations

- (1) Check the point data for calibration

Use a pose (point) you can easily verify the accuracy within the work envelop of both right and left arm. Then, check the number of pose (point) you want to use.

- (2) Open the Tools menu | Robot Manager | Control Panel and click the MOTOR ON.
- (3) Click the Free All to free all joints from servo control. Now, you can move arms by hands.
- (4) Move the arms to the position of point data for calibration in rightly arm orientation.
- (5) From the current position, teach any point data number unused.  
This pose (point) is now called P1.

Specify the point number “1” and click the <Teach> button in the [Jog & Teach].

- (6) Click the Lock All in the [Control Panel] to lock all joints under servo control.
- (7) Switch to the lefty arm orientation. Then, move the arm to the same point.

>Jump P1/L:Z (0) ' Change the arm orientation from righty to lefty  
Z is the maximum position

\* If there is interference on the way from right to lefty, click the Free All in the [Control Panel] and change the arm orientation to lefty by hands. Then, go to the step (6), (7).

- (8) The joints are slightly out of position.

Adjust the gap with the -Z in the Jogging group in the [Jog & Teach]. Then, teach another point data number unused. This pose (point) is now called P2.

Specify point number “P2” and click the <Teach> button in [Jog & Teach].

- (9) Input the new Hof's value.

>Hofs Hof's (1), Hof's (2) + (Ppls (P1,2) + Ppls (P2,2)) /  
2, Hof's (3), Hof's (4)

- (10) From the current lefty arm orientation (the position in the step (8)), teach the point data number used in the step (8). This pose (point) is called P2.

Specify point number “P2” and click the <Teach> button in [Jog & Teach].

- (11) Switch to the righty arm orientation. Then, make sure the manipulator move to the correct position.

>Jump P2/R ' Change the arm orientation from lefty to righty

\* If there is any interference on the way from lefty to righty, click the Free All in the [Control Panel] and change the arm orientation to righty by hands. Then, go to the step (6), (11).

- (12) Move the manipulator to other point data and make sure it moves to the correct position. Teach some more points if required.

\* Delete the two points taught for the Joint #2 calibration.

## 14.4 Calibration Procedure without using Calibration Wizard



This section indicates the calibration without using the calibration wizard of EPSON RC+. For details of calibration using the calibration wizard, refer to *14.2 Calibration Procedure*.

When coordinates for the Manipulator working point require calculation, it is important for Joint #2 to be calibrated accurately. Execute the procedure in “Calibration Using Right / Left Arm Orientations” to accurately calibrate Joint #2. For details, refer to *Maintenance: 14.3 Accurate Calibration of Joint #2*.

You cannot calibrate Joint #4 alone because of the structure of the Manipulator. When calibrating Joint #4, you must calibrate Joint #3 and #4 at the same time.



The reference point (a point to identify the position of the manipulator) needs to be specified for calibration.

Follow steps 1 to 6 described below in order to calibrate the origin.

### 1. Basic Pose Confirmation

(1)-1 After the part replacement, perform the calibration using the point data currently registered.

Confirm the point data number (P\*) to reconstruct the correct manipulator position.

\* Point data before the parts replacement (motor, reduction gear, belt, etc.) is necessary for the calibration.

### 2. Part Replacement

(2)-1 Replace parts as dictated by this manual.

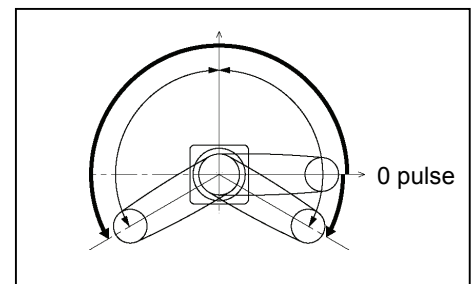
\* Be careful not to injure yourself or damage parts during part replacement.

### 3. Encoder Initialization

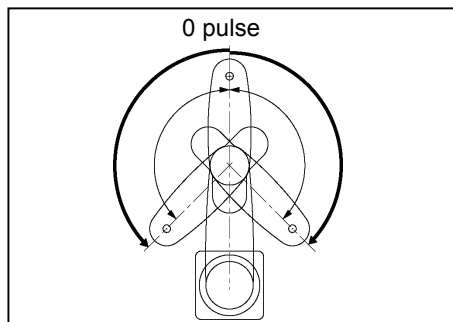
(3)-1 Turn ON the Controller when all joints are in the motion range.

(3)-2 Manually move the joint that needs origin alignment to its approximate 0 pulse position.

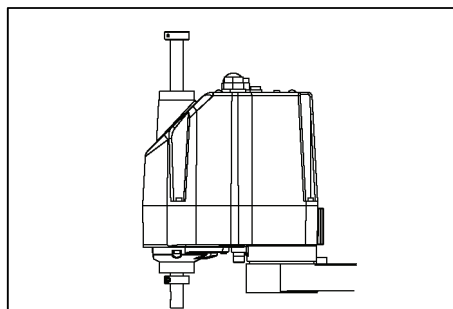
0 pulse position of Joint #1:  
 position aligned with X-axis in  
 Robot coordinate system



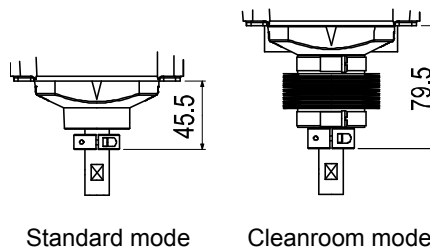
0 pulse position of Joint #2:  
 position where Arms #1 and #2 are in a straight line  
 (Regardless of the Joint #1 direction.)



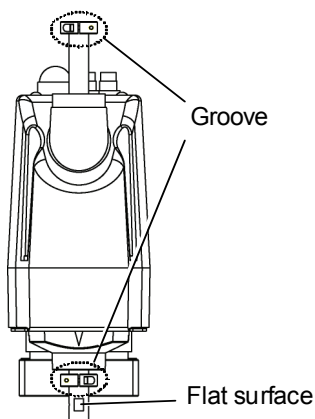
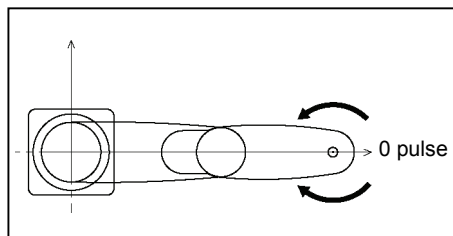
0 pulse position of Joint #3:  
 upper limit position in motion range



The height of Joint #3 depends on manipulator model.



0 pulse position of Joint #4:  
 position where the flat surface (or groove in the up/down mechanical stop) on the shaft faces toward the tip of Arm #2



(3)-3 Connect EPSON RC+ to the Controller.

**EPSON RC+ 6.0** Select a robot to be calibrated. Input as below in the [Command Window] and execute it.  
 (This example uses "robot 1".)

> robot 1



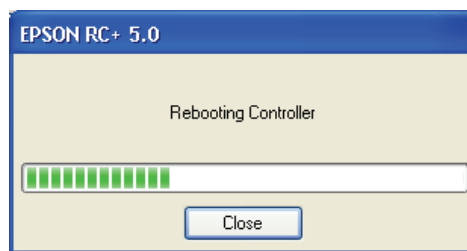
- (3)-4 Execute the absolute encoder initialization command.

Input one of the following commands to [Command Window] according to the joint being calibrated.

Joint #1: >EncReset 1  
 Joint #2: >EncReset 2  
 Joint #3: >EncReset 3  
 Joint #4: >EncReset 3, 4

- (3)-5 Reboot the Controller.

Select EPSON RC+ menu-[Tools]-[Controller] and click the <Reset Controller> button.



\* This window will be disappeared when the Controller starts up.

#### 4. Rough Calibration

- (4)-1 Turn ON the motor from EPSON RC+ menu-[Tools]-[Robot Manager]-[Controller Panel].
- (4)-2 Click the <Free All> button in the [Control Panel] page to free all joints and move the arms manually.
- (4)-3 Move the Manipulator to the approximate position and orientation.
- (4)-4 To perform temporary calibration, input the pulse value of the specified point data.

When the specified point data is “P1,” input and perform the following command to [Command Window] according to the joint being calibrated.

> Calpls Ppls (P1, 1) , Ppls (P1, 2) , Ppls (P1, 3) , Ppls (P1, 4)

- (4)-5 Perform the temporary calibration.

Input and perform one of the following commands to [Command Window] according to the joint being calibrated.

Joint #1: >Calib 1  
 Joint #2: >Calib 2  
 Joint #3: >Calib 3  
 Joint #4: >Calib 3, 4

#### 5. Calibration (Accurate Positioning)

- (5)-1 Click the <Lock All> button in [Control Panel] to put all joints back under servo control.

(5)-2 Move the joint to the specified point using a motion command.

For example, when the specified point data is “P1”, click <MOTOR ON> button in [Control Panel] and execute “Jump P1:Z(0)” from [Jog & Teach].

\* The joint NOT being calibrated moves to the original position.

(5)-3 Accurately align the joint\* being calibrated to the specified point using jog commands.

\* You must move Joint #3 and #4 to the position when calibrating Joint #4.

Select the jog mode [Joint] from [Jog & Teach] to execute the jog motion.

(5)-4 Perform the calibration.

Input and perform one of the following commands to [Command Window] according to the joint being calibrated.

```
Joint #1: >Calib 1  
Joint #2: >Calib 2  
Joint #3: >Calib 3  
Joint #4: >Calib 3, 4
```

## 6. Accuracy Testing

(6)-1 Move the Manipulator to another point to confirm that it moves to the same position.

If it does not move to the same position, re-calibrate using another point. You must set the point again if reproducibility cannot be assured through calibration.

## 15. Maintenance Parts List

### 15.1 Common Parts

Part Name		Code	Note	Reference page	
Cable Unit	S/C	250 mm	R13B020023	79	
		300 mm	R13B020024		
		350 mm	R13B020025		
	SM/CM	300 mm	R13B020026	80	
		350 mm	R13B020027		
M/C Cable	Cable Length 3 m		R12B020431	40	
	Cable Length 5 m		R12B020432		
	Cable Length 10 m		R12B020433		
AC Servo Motor	Joint #1		R13B000614	200 W	88
	Joint #2 / #3 / #4		R13B000615	150 W	95, 103, 115
Reduction Gear Unit	Joint #1		R13B010016	SHG20-80	91
	Joint #2		R13B010017	SHG17-50	99
Solenoid Brake	Z axis		R13B030501		112
Timing Belt	Joint #3		R13B030213	Z	108
	Joint #4		R13B030214	U1	119, 124
			R13B030215	U2	119
O-ring	Joint #1		R13A030700200	For SHG-20	92
	Joint #2		R13A030700100	For SHG-17	100
	Joint #1		R13A031200700	O-ring20 For Multiple layout mounting only.	
	Joint #2		R13A031200600	O-ring17	101
Brake Release Switch		R13Z702640100			
Oil seal (soft metal)		R13B031233	MMG3000-12SEAL-G3		89
Battery Board		R13B041202	With lithium battery Installed in Arm #2 ER17330V (TOSHIBA)		144
Battery Unit		R13ZA00600300	Lithium battery for replacement ER17330V (TOSHIBA)		81, 143
LED Lamp		R13A030000200			146
Grease	Ball Screw Spline		R13ZA00330200	AFB grease (400 g)	70
	Reduction Gear Unit		R13ZA00330100	SK-1A (500 g)	70
			R13ZA00330400	SK-2 (500 g)	70

## 15.2 Parts by Environment Model

### 15.2.1 S: Standard-model

Part Name		Code	Note	Reference page
Ball Screw Spline	150 mm	R13B010220		135
Arm Cover		R13B030421	White	75

### 15.2.2 C: Cleanroom-model

Part Name		Code	Note	Reference page
Ball Screw Spline	120 mm	R13B010221		137
Arm Cover		R13B030422	Plating	75
Bellows		R13B030704		133
Gasket Unit		R13B031234		72