

Linear-Transducer LP46K - SSI



Ref.: K-LP46-SSI-1

14.11.2013

0102010130

Advantages

- _ Customer-specific solutions
- _ Flexible programming
- _ Further interfaces available
- _ Measures linear movements
- _ Position value - Adjustment
- _ Profile housing
- _ Simple integration
- _ Wear-free detection

General Data

Supply	
- Supply voltage	24 VDC, -20...+10 %
Current consumption no load	<= 250 mA
Measuring principle	magnetostrictive
Measuring length, standard	50...2000 mm, in steps
Resolution	0.001 mm
Linearity deviation	± 0.10 mm <= 1500 mm ± 0.15 mm > 1500 mm
Reproducibility	0.005 mm
Hysteresis	0.02 mm <= 1500 mm 0.1 mm > 1500 mm
Temperature coefficient	< 8 µm/°C <= 500 mm < 15 ppm/°C > 500 mm
Straight line velocity	no restrictions
Mounting position	no restrictions
Material - Measuring body	Aluminium extruded profile
Magnet	Slider other on request
SSI - Interface	
- SSI-Clock input	Optocoupler
- SSI-Data output	RS-422, 2-wire

Subject to change.

TR-Electronic GmbH
Eglisshalde 6
78647 Trossingen
Tel. +49 (0) 7425 228-0
info@tr-electronic.de
www.tr-electronic.de

Linear-Transducer LP46K - SSI

Ref.: K-LP46-SSI-1

14.11.2013

0102010130

General Data continuation

- SSI-Clock frequency	95...1000 kHz
- SSI-Mono time, typically	20 μ s
Parameter/Function, changeable	Resolution
	Output code
	Output format
	Error signal
	Preset parameter
	Synchronization
	Counting direction
Type of parametrization	programmable
Prgramming - Tool	TR-Soft: TRWinProg
	TR-Tool: PT-100-N
Cycle time internal, \leq 1.00 m	0.50 ms
Cycle time internal, \leq 1.50 m	0.75 ms
Cycle time internal, \leq 2.00 m	1.00 ms
External inputs	
- F/R	Count direction
- Preset	electronic adjustment
- Logic level	"0" < +2V, "1" = Supply

Environmental conditions

Vibration	
- Specific value	\leq 100 m/s ²
- Sine	50...2000 Hz
Shock	
- Specific value	\leq 1000 m/s ²
- Half sine	11 ms
Immunity to disturbance	DIN EN 61000-6-2
Transient emissions	DIN EN 61000-6-3
Working temperature	
- Standard	0...+70 °C
- Optional	-20...+70 °C;
Storage temperature, dry	-30...+85 °C
Relative humidity	98 %, non condensing
Protection class	
- Standard	IP65

Subject to change.

Linear-Transducer LP46K - SSI

Ref.: K-LP46-SSI-1

14.11.2013

0102010130

Environmental conditions continuation

Stray magnetic field	< 3 mT
Measuring reference	Measuring plane

Subject to change.

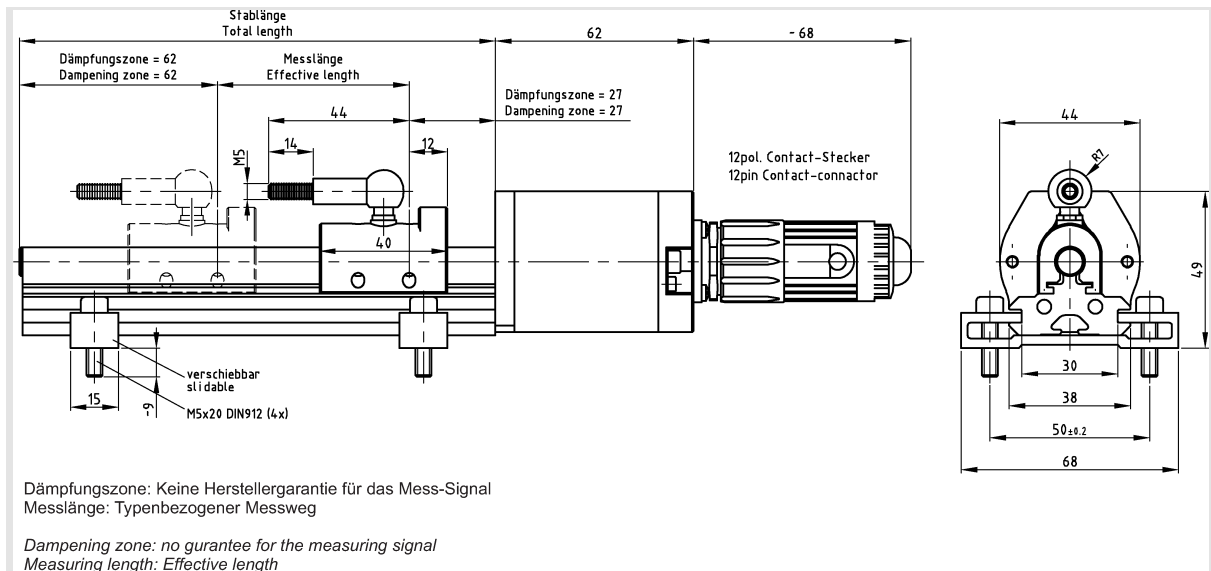
Linear-Transducer LP46K - SSI

Ref.: K-LP46-SSI-1

14.11.2013

0102010130

Dimensional drawing



Suggested products

LP_46K*150 SSI R 0,002mm, ohne Gegenstecker	320-00185
LP_46K*500 SSI R 0,002mm, incl. Gegenstecker	320-00226
LP_46K*1000 SSI R 0,002mm, incl. Gegenstecker	320-00327
LP_46K*300 SSI R 0,002mm, incl. Gegenstecker	320-00352
LP_46K*750 SSI R 0,002mm, incl. Gegenstecker	320-00631

Subject to change.