

Absolute-Encoder COV58 - PB

Ref.: K-COV58-PB-1

18.11.2013

010102005803020201

Advantages

- _ Customer-specific solutions
- _ Flexible programming
- _ Further interfaces available
- _ High resolution system
- _ Modular mechanical design
- _ Modular product line
- _ Short lead times



General Data

Supply	
- Supply voltage	11...27 VDC
Current consumption no load	<= 350 mA
Device design	
- Type	Single-/Multi-Turn
Total resolution	<= 36 Bit
Number of steps per revolution	<= 262144
Number of revolutions	<= 262144
Output capacity	<= 29 Bit
PROFIBUS - Interface	
- PROFIBUS-DP V0	IEC 61158, IEC 61784
- PNO Encoder-Profile	Class 1 and 2
Transmission rate	
- Specific value	9.6...12000 kbit/s
Parameter/Function, changeable	Resolution
	Adjustment - Parameter
	Counting direction
	Gear function
	Velocity parameter
Type of parametrization	programmable
Prgramming - Tool	Fieldbus-Device
Maximum Speed, mechanically	<= 12000 1/min

Subject to change.

TR-Electronic GmbH
 Eglshalde 6
 78647 Trossingen
 Tel. +49 (0) 7425 228-0
 info@tr-electronic.de
www.tr-electronic.de

Absolute-Encoder COV58 - PB

Ref.: K-COV58-PB-1

18.11.2013

010102005803020201

General Data continuation

Shaft load, axial/radial	$\leq 10\text{ N}, \leq 20\text{ N}$
Bearing life time	$\geq 3.9\text{E}+10$ revolutions
Bearing life time - Parameter	
- Speed	6000 1/min
- Operating temperature	60 °C
- Shaft load, axial/radial	$\leq 5\text{ N}, \leq 10\text{ N}$
Point of origin, shaft load	at the shaft end
Angular acceleration	$\leq 10\text{E}+4\text{ rad/s}^2$
Moment of inertia, typically	2.5E-6 kg m ²
Start-up torque, 20 °C	2 Ncm
Mass, typically	0.3...0.5 kg

Environmental conditions

Vibration	
- Specific value	$\leq 100\text{ m/s}^2$
- Sine	50...2000 Hz
Shock	
- Specific value	$\leq 1000\text{ m/s}^2$
- Half sine	11 ms
Immunity to disturbance	DIN EN 61000-6-2
Transient emissions	DIN EN 61000-6-3
Working temperature	
- Standard	0...+60 °C
- Optional	-20...+70 °C;
Storage temperature, dry	-30...+80 °C
Relative humidity	98 %, non condensing
Protection class	
- Standard	IP65

Subject to change.

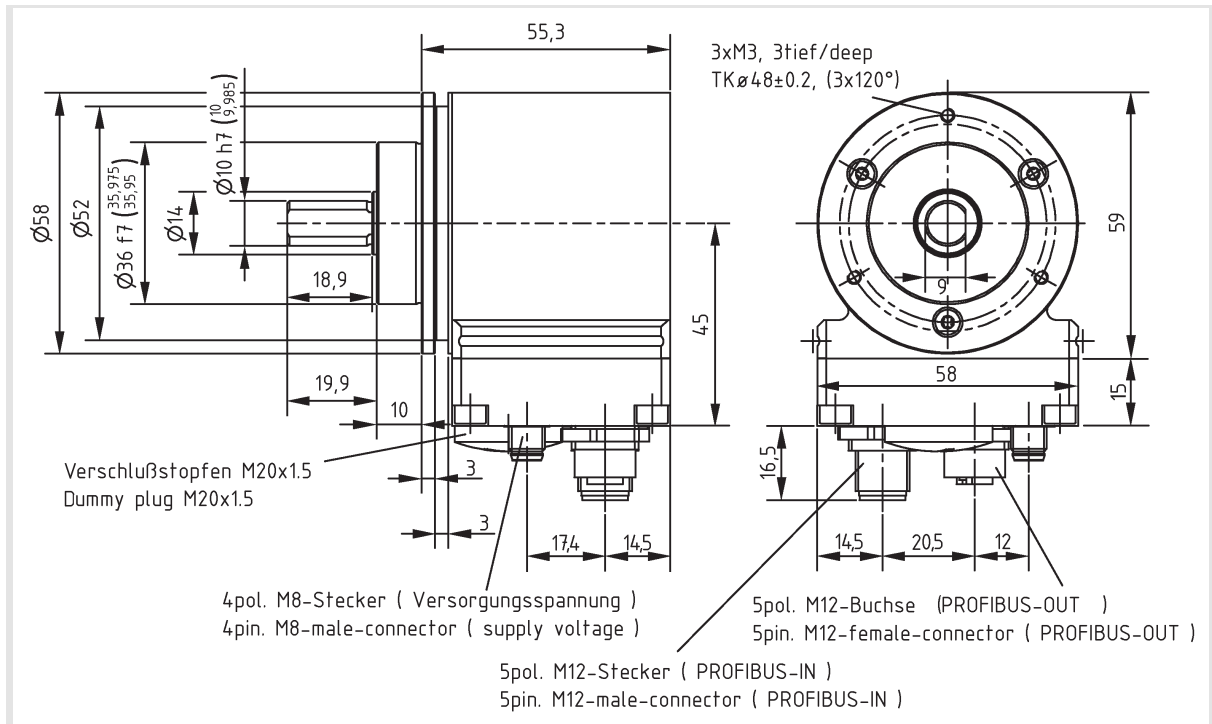
Absolute-Encoder COV58 - PB

Ref.: K-COV58-PB-1

18.11.2013

010102005803020201

Dimensional drawing



Suggested products

COV58M*65536/4096 PROFIBUS 36ZB10FL COV58M-00014
Feldbushaube

COV58S*262144/1 PB 36ZB10FL COV58S-00027
Feldbushaube

Subject to change.