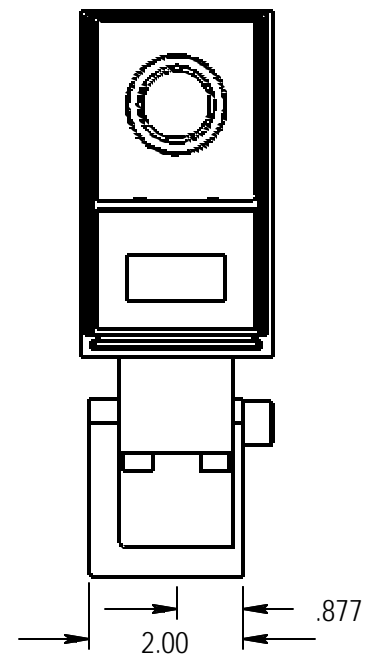
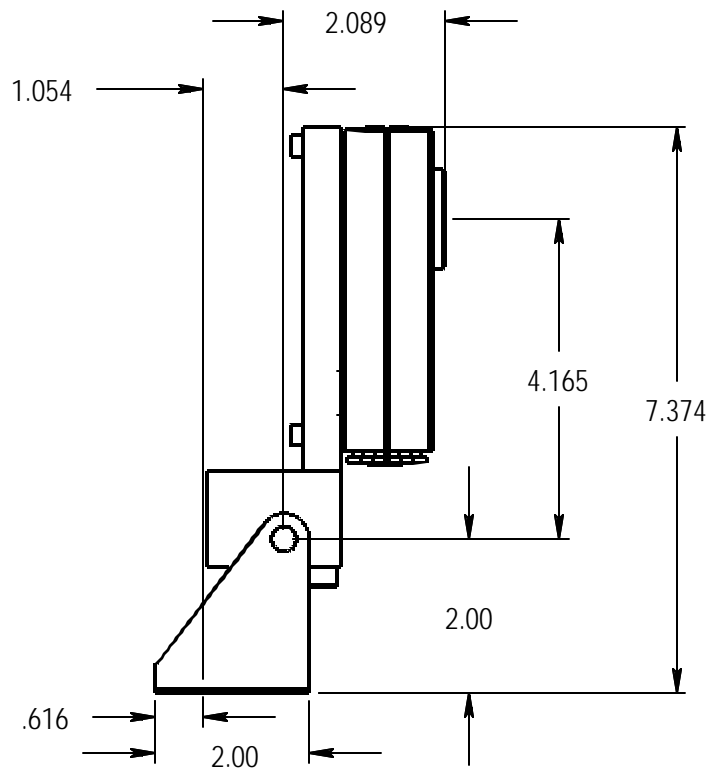


Note: Adapter block can be reversed in mounting foot as needed to change camera position.



Material: Mounting Foot is type 304 stainless steel. Arm & Adapter Block are hardcote anodized 6061 aluminum. All fasteners are 18-8 stainless steel.

Tols: .000 = +/-0.005" .00 = +/-0.010" except where noted

No	Change	Date	Init	Name	Date	Title
				Created By	ccm	2003/09/25
				Checked By		
				Scale		
				Allison Park Group, Inc. 4091 Route 8, Suite 300 Allison Park, PA 15101 USA Phone +1 (412) 487-8211 Fax +1 (412) 486-3157 www.dpgvision.com		Drawing Number MT-500 Dims
						Issue 1.0

DVT 500 series Pan & Tilt

Drawing Number	Issue
MT-500 Dims	1.0