

Absolute-Encoder CMV22 - A, <= 4096 Rev.

Ref.: K-CMV22-A-2

18.11.2013

010102002201010201

Advantages

- _ Alternative for potentiometers
- _ Customer-specific solutions
- _ Further interfaces available
- _ Very small construction



General Data

Supply	
- Supply voltage	14...30 VDC
Current consumption no load	<= 50 mA
Device design	
- Type	Single-/Multi-Turn
Total resolution	<= 24 Bit
Number of steps per revolution	<= 4096
Number of revolutions	<= 4096
Accuracy	$\pm 1,0^\circ$
Analog - Interface	
- Voltage/Current	programmable
- Resolution	12 Bit D/A converter
- Resolution	16 Bit D/A converter, optional
- Voltage output	0...+10 VDC
- Load resistance (U)	≥ 20 kOhm
- Current output	0...24 mA
- Load resistance (I)	<= 350 Ohm
Cycle time	500 μ s
Parameter/Function, changeable	Resolution
	Analog Voltage/Current
	Preset parameter

Subject to change.

TR-Electronic GmbH
 Eglisshalde 6
 78647 Trossingen
 Tel. +49 (0) 7425 228-0
 info@tr-electronic.de
www.tr-electronic.de

Absolute-Encoder CMV22 - A, <= 4096 Rev.

Ref.: K-CMV22-A-2
 18.11.2013
 010102002201010201

General Data continuation

	Counting direction
Type of parametrization	programmable
Prgramming - Tool	TR-Soft: TRWinProg
External inputs	
- Function input	Count direction or Preset
- Type of parametrization	programmable
- Logic level	"0" < +2V, "1" = Supply
Maximum Speed, mechanically	<= 10000 1/min
Shaft load, axial/radial	<= 10 N, <= 5 N
Bearing life time	>= 30E+9 revolutions
Bearing life time - Parameter	
- Speed	3000 1/min
- Operating temperature	<= 25 °C
- Shaft load, axial/radial	<= 5 N, <= 2,5 N
Point of origin, shaft load	at the shaft end

Environmental conditions

Vibration	
- Specific value	<= 100 m/s ²
- Sine	50...2000 Hz
Shock	
- Specific value	<= 1000 m/s ²
- Half sine	11 ms
Immunity to disturbance	DIN EN 61000-6-2
Transient emissions	DIN EN 61000-6-3
Working temperature	
- Standard	0...+60 °C
Storage temperature, dry	0...+85 °C
Protection class	
- Standard	IP64

Subject to change.

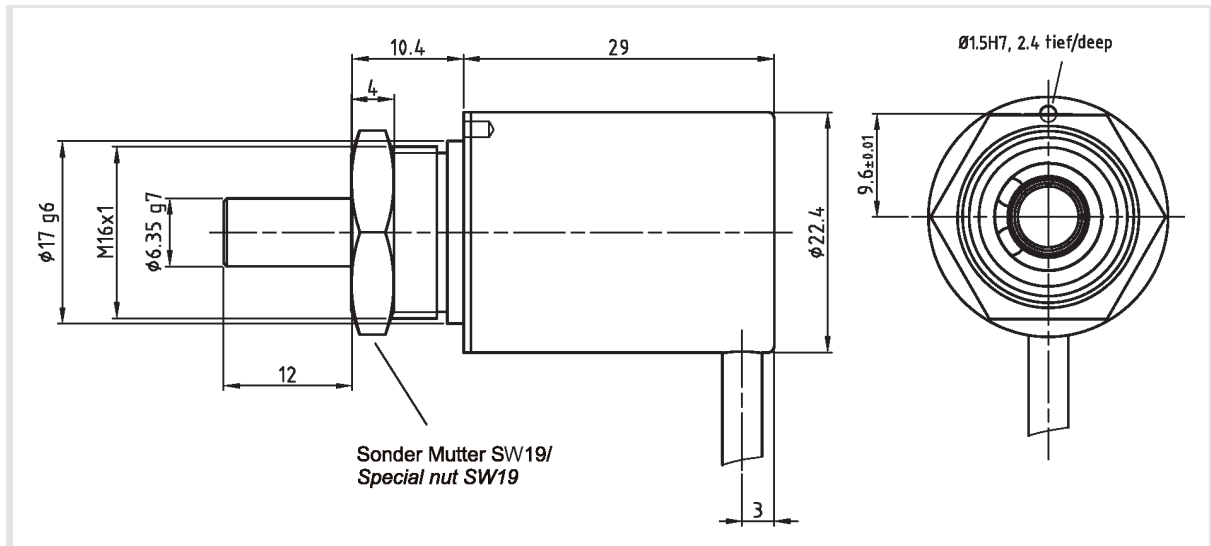
Absolute-Encoder CMV22 - A, \leq 4096 Rev.

Ref.: K-CMV22-A-2

18.11.2013

010102002201010201

Dimensional drawing



Suggested products

CMV22M*4096/4096 ANALOG-U
M16X1ZB6GL
1,0 m Ltg. 0...10V Preset

CMV22M-00039

Subject to change.