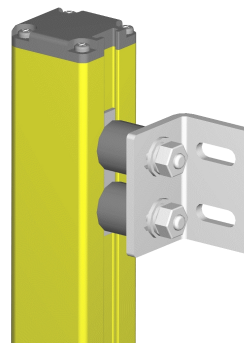
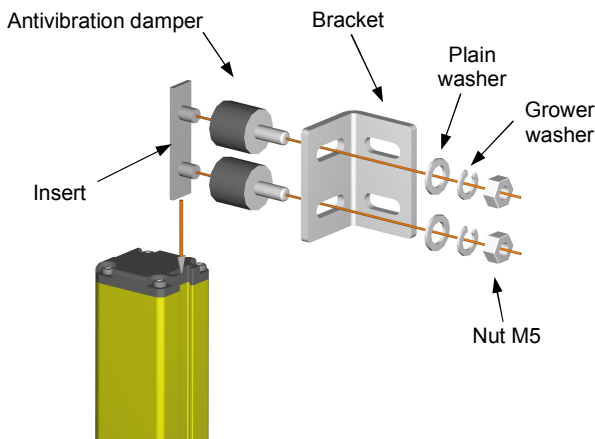
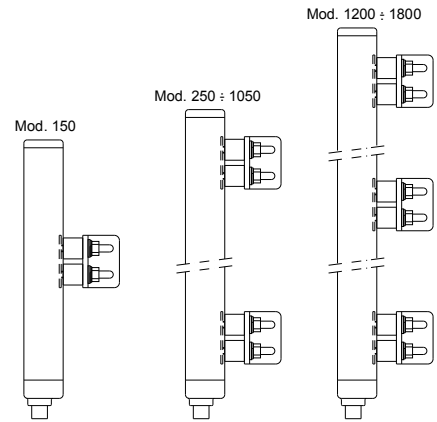


## ANTIVIBRATION DAMPERS SAV 4E / SAV 8E / SAV 12E

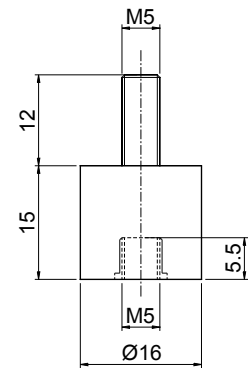
This technical sheet is provided with the **SAV 4E/SAV 8E/SAV 12E**, antivibration dampers set to give to the customer the instructions for their correct assembly with the **EOS** barriers. The following table shows the antivibration model to use depending on the barrier model.

CODE	MODEL	NUMBER OF DAMPERS CONTAINED
1310972	SAV 4E	4
1310973	SAV 8E	8
1310974	SAV 12E	12

- N° 1 set SAV 4E for 2 assembly TX/RX (mod.150);
- N° 1 set SAV 8E for 2 assembly TX/RX (mod. 250 ÷ 1050);
- N° 1 set SAV 12E for 2 assembly TX/RX (mod.1200 ÷ 1800).



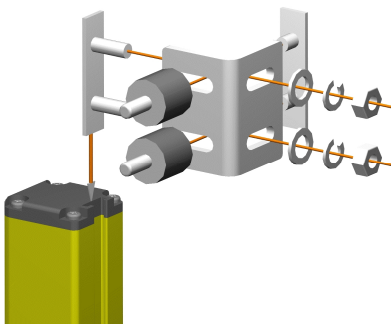
Damper dimensions



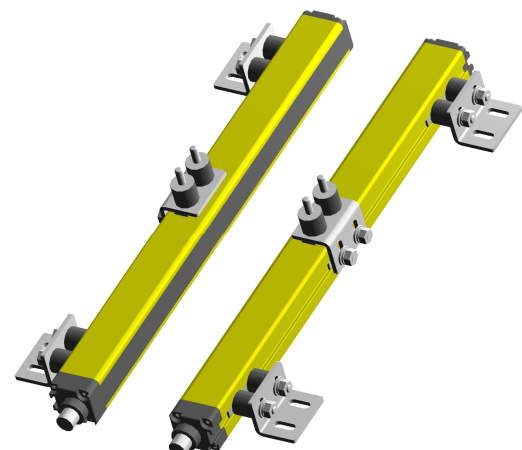
### ASSEMBLY

- Insert the locking pin in the groove on the back of the barrier; screw up the antivibration damper to the insert; assemble the bracket to the antivibration damper, and tighten M5 nuts (*rear assembly*).
- Alternatively: fix the bracket with the locking pin supplied, secure the bracket to the barrier using the fasteners provided (*side assembly*).
- *Assembly examples:*

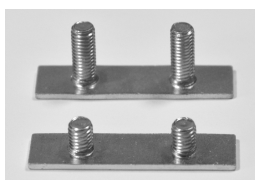
SIDE ASSEMBLY



SOLUTION FOR TWO-AXIS VIBRATION REDUCTION



INSERTS



12mm inserts  
(supplied with barrier)

4mm inserts  
(supplied with dampers)