

# Absolute-Encoder COS58 - PB

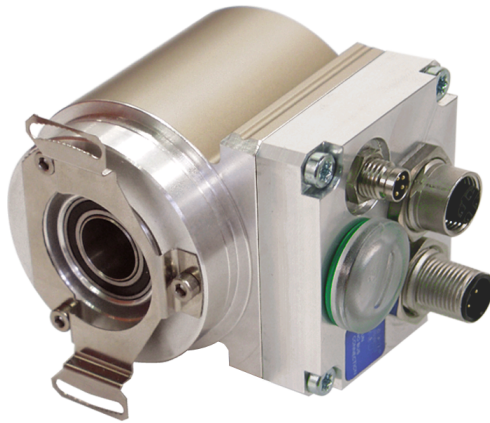
Ref.: K-COS58-PB-1

18.11.2013

0101020058030202

## Advantages

- \_ Customer-specific solutions
- \_ Flexible programming
- \_ Further interfaces available
- \_ High resolution system
- \_ Modular mechanical design
- \_ Modular product line
- \_ Short lead times



## General Data

Supply	
- Supply voltage	11...27 VDC
Current consumption no load	<= 350 mA
Device design	
- Type	Single-/Multi-Turn
Total resolution	<= 36 Bit
Number of steps per revolution	<= 262144
Number of revolutions	<= 262144
Output capacity	<= 29 Bit
PROFIBUS - Interface	
- PROFIBUS-DP V0	IEC 61158, IEC 61784
- PNO Encoder-Profile	Class 1 and 2
Transmission rate	
- Specific value	9.6...12000 kbit/s
Parameter/Function, changeable	Resolution
	Adjustment - Parameter
	Counting direction
	Gear function
	Velocity parameter
Type of parametrization	programmable
Programming - Tool	Fieldbus-Device
Maximum Speed, mechanically	<= 12000 1/min

Subject to change.

TR-Electronic GmbH  
 Eglisshalde 6  
 78647 Trossingen  
 Tel. +49 (0) 7425 228-0  
 info@tr-electronic.de  
[www.tr-electronic.de](http://www.tr-electronic.de)

## Absolute-Encoder COS58 - PB

Ref.: K-COS58-PB-1

18.11.2013

0101020058030202

### General Data continuation

Shaft load, axial/radial	Own mass
Bearing life time	$\geq 3.9E+10$ revolutions
Bearing life time - Parameter	
- Speed	6000 1/min
- Operating temperature	60 °C
Angular acceleration	$\leq 10E+4$ rad/s <sup>2</sup>
Moment of inertia, typically	2.5E-6 kg m <sup>2</sup>
Start-up torque, 20 °C	2 Ncm
Mass, typically	0.3...0.5 kg

### Environmental conditions

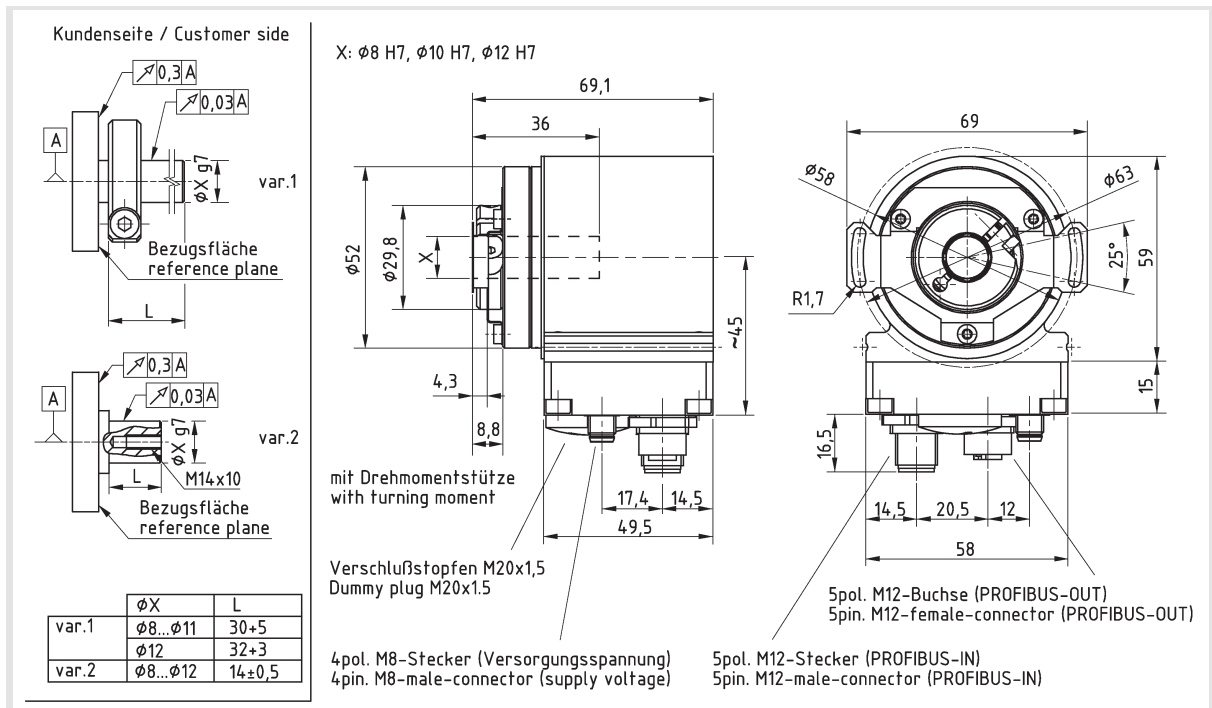
Vibration	
- Specific value	$\leq 100$ m/s <sup>2</sup>
- Sine	50...2000 Hz
Shock	
- Specific value	$\leq 1000$ m/s <sup>2</sup>
- Half sine	11 ms
Immunity to disturbance	DIN EN 61000-6-2
Transient emissions	DIN EN 61000-6-3
Working temperature	
- Standard	0...+60 °C
- Optional	-20...+70 °C;
Storage temperature, dry	-30...+80 °C
Relative humidity	98 %, non condensing
Protection class	
- Standard	IP65

Subject to change.

# Absolute-Encoder COS58 - PB

Ref.: K-COS58-PB-1  
 18.11.2013  
 0101020058030202

## Dimensional drawing



## Suggested products

COS58M\*131072/4096 PBS SACKHW10      COS58M-00004  
 Feldbushaube

COS58S\*65536/1 PB 12H7      COS58S-00004  
 Feldbushaube

Subject to change.

TR-Electronic GmbH  
 Eglisshalde 6  
 78647 Trossingen  
 Tel. +49 (0) 7425 228-0  
 info@tr-electronic.de  
[www.tr-electronic.de](http://www.tr-electronic.de)