



### Model Number

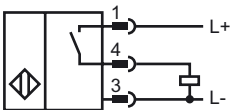
IT 12-4B-PS-M3

Inductive sensor

### Features

- Basic series
- 4 mm embeddable

### Connection

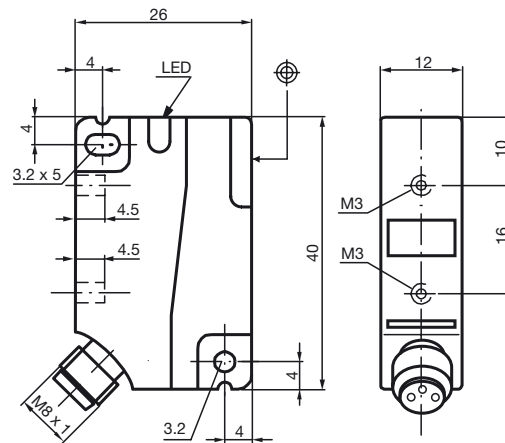


### Safety Note



The use of this device in applications, where the safety of persons depends from the devices function, is not allowed!

## Dimensions



## Technical Data

### General specifications

Switching element function	PNP Make function
Rated operating distance	$s_n$ 4 mm
Installation	embeddable
Output polarity	DC
Assured operating distance	$s_a$ 0 ... 3.24 mm
Reduction factor $r_{AI}$	0.3
Reduction factor $r_{Cu}$	0.2
Reduction factor $r_{V2A}$	0.7

### Nominal ratings

Operating voltage	$U_B$	10 ... 30 V
Switching frequency	$f$	0 ... 1400 Hz
Reverse polarity protection		protected against reverse polarity
Short-circuit protection		pulsing
Voltage drop	$U_d$	$\leq 2.5$ V
Operating current	$I_L$	0 ... 250 mA
Off-state current	$I_r$	0 ... 0.01 mA typ. 0.1 $\mu$ A at 25 °C
No-load supply current	$I_o$	$\leq 15$ mA
Indication of the switching state		LED, yellow

### Standard conformity

Standards	IEC / EN 60947-5-2:2004
-----------	-------------------------

### Ambient conditions

Ambient temperature	-25 ... 70 °C (248 ... 343 K)
---------------------	-------------------------------

### Mechanical specifications

Connection type	connector M8 x 1, 3-pin
Housing material	PA
Sensing face	PA
Protection degree	IP67

### Approvals and certificates

UL approval	cULus Listed, General Purpose
-------------	-------------------------------