

# Absolute-Encoder COH80 - PB

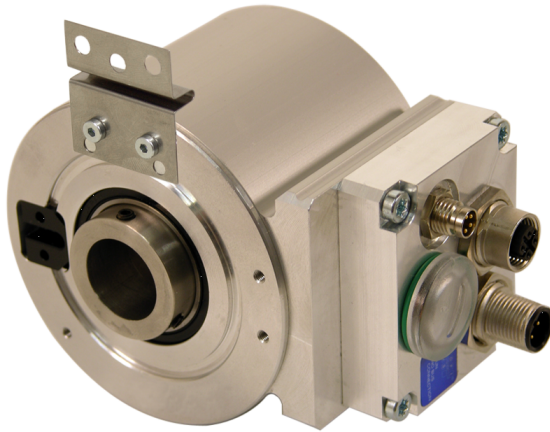
Ref.: K-COH80-PB-1

18.11.2013

010102008003020202

## Advantages

- Customer-specific solutions
- Flexible programming
- High resolution system



## General Data

Supply	
- Supply voltage	11...27 VDC
Current consumption no load	<= 180 mA
Device design	
- Type	Single-/Multi-Turn
Total resolution	<= 36 Bit
Number of steps per revolution	<= 262144
Number of revolutions	<= 262144
Output capacity	<= 29 Bit
PROFIBUS - Interface	
- PROFIBUS-DP V0	IEC 61158, IEC 61784
- PNO Encoder-Profile	Class 1 and 2
Transmission rate	
- Specific value	9.6...12000 kbit/s
Parameter/Function, changeable	Resolution
	Output code
	Adjustment - Parameter
	Counting direction
	Gear function
	Velocity parameter
Type of parametrization	programmable
Prgramming - Tool	Fieldbus-Device

Subject to change.

TR-Electronic GmbH  
 Eglshalde 6  
 78647 Trossingen  
 Tel. +49 (0) 7425 228-0  
 info@tr-electronic.de  
[www.tr-electronic.de](http://www.tr-electronic.de)

# Absolute-Encoder COH80 - PB

Ref.: K-COH80-PB-1

18.11.2013

010102008003020202

## General Data continuation

Maximum Speed, mechanically	<= 3000 1/min
Shaft load, axial/radial	Own mass
Bearing life time	>= 3.9E+10 revolutions
Bearing life time - Parameter - Speed	3000 1/min
- Operating temperature	60 °C
Angular acceleration	<= 10E+4 rad/s <sup>2</sup>
Moment of inertia, typically	67E-6 kg m <sup>2</sup>
Start-up torque, 20 °C	8 Ncm
Mass, typically	0.7 kg

## Environmental conditions

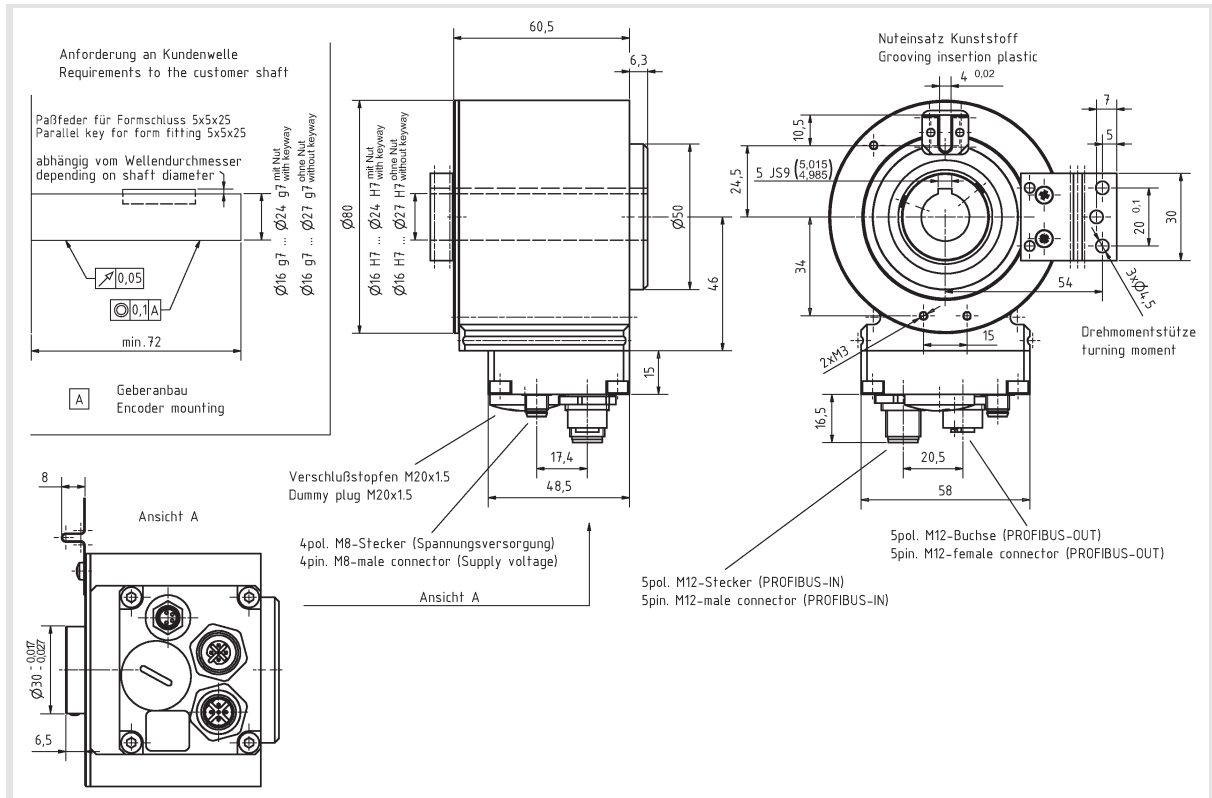
Vibration	
- Specific value	<= 100 m/s <sup>2</sup>
- Sine	50...2000 Hz
Shock	
- Specific value	<= 1000 m/s <sup>2</sup>
- Half sine	11 ms
Immunity to disturbance	DIN EN 61000-6-2
Transient emissions	DIN EN 61000-6-3
Working temperature	
- Standard	0...+60 °C
- Optional	-20...+70 °C;
Storage temperature, dry	-20...+85 °C
Relative humidity	98 %, non condensing
Protection class	
- Standard	IP54

Subject to change.

# Absolute-Encoder COH80 - PB

Ref.: K-COH80-PB-1  
 18.11.2013  
 010102008003020202

## Dimensional drawing



## Suggested products

COH80S\*262144/1 PB 25H7  
 2x 5 pol M12 1x 4 pol M8

COH80S-00002

Subject to change.

TR-Electronic GmbH  
 Eglisshalde 6  
 78647 Trossingen  
 Tel. +49 (0) 7425 228-0  
 info@tr-electronic.de  
[www.tr-electronic.de](http://www.tr-electronic.de)