

VISOR® Color

Vision sensor for the most precise object detection



 made in Germany



The same or not the same?

The VISOR® Color detects even the smallest of colour nuances more reliably than the human eye. This allows, for example, the detection of colour deviations or the sorting of parts by colour.



Incorrect occupancy ruled out:

The VISOR® Color combines colour and object detection in a single device and can therefore simultaneously inspect occupancy of the blister for completeness and for occupancy with the correct colour.



All LEDs in the right place?

A unique performance feature of vision colour sensors is the detection of active (self-illuminating) colours. For example, displays in the automotive industry or electronic components can be inspected for correct placement with the VISOR® Color.

HIGHLIGHTS OF THE VISOR® COLOR

- Improved object detection through additional colour information
- Powerful colour detection, even with the smallest of colour nuances or self-illuminating components
- Powerful part finding and tracking
- Highly accurate evaluation via 1.3 megapixel colour chip
- Up to 6 digital switching outputs (another 32 with IO box)
- User-friendly configuration and viewer software with graded user rights and online help

Colour is an important feature for detecting and differentiating between objects during the production process. Whether coloured marks in quality assurance, coloured printing or labels, LEDs or display elements, the occupancy of cable harnesses, or the browning level of baked goods – industry is much more colourful than is generally assumed.

Classic colour sensors are limited to the detection of passive colours, i. e. of object colours or coloured marks – they have to give up when confronted with self-illuminating objects. The VISOR® Color vision colour sensor from SensoPart knows no such restrictions – it not only “sees” objects of any shape and colour, but also provides additional information on colour intensity and the position of the particular object. It can also represent an alternative to conventional contrast sensors for

determining grey values and contrast differences when other object features are to be evaluated simultaneously.

The upgrade to colour is easy

The new generation of VISOR® Color vision colour sensors not only supports colour detection but also all the performance features of the VISOR® object sensor. The operating concept of the two vision sensors is identical – there are just three additional detectors for colour detection with corresponding configuration possibilities. The introductory effort for those switching from the VISOR® object sensor is thus minimal – when will you put more colours into your applications?

VISOR® Color – product overview					
	Product variant	Resolution	Focal length	Integrated illumination	Page
V20C-CO-A2-xx	Advanced	1280 x 1024 pixels	12 mm	White	82
V20C-CO-A2-xx	Advanced	1280 x 1024 pixels	C-mount	None	84
V10C-CO-S2-xx	Standard	736 x 480 pixels	6 mm	White	86
V10C-CO-S2-xx	Standard	736 x 480 pixels	12 mm	White	88
V10C-CO-A2-xx	Advanced	736 x 480 pixels	6 mm	White	90
V10C-CO-A2-xx	Advanced	736 x 480 pixels	12 mm	White	92
V10C-CO-A2-xx	Advanced	736 x 480 pixels	25 mm	White	94
V10C-CO-A2-xx	Advanced	736 x 480 pixels	C-mount	None	96

VISOR® V20 Color

Advanced vision sensor for object detection, colour, 12 mm



PRODUCT HIGHLIGHTS

- Object detection in colour with 1.3 mega pixel resolution
- Reliable detection of very slight colour nuances or self-illuminating components
- Powerful part finding and tracking
- User-friendly configuration and viewer software with hierarchical user rights
- Unlimited number of jobs and detectors
- Encoder input

Optical data		Functions	
Resolution	1280 x 1024 pixels	Number of jobs / detectors	max. 255 / max. 255
CMOS	1/1.8", colour	Detectors	Contour; pattern comparison, contrast, brightness, grey level, colour value, colour area, colour list
Integrated lens, focal length	12 mm, adjustable focal position	Properties	Position tracking; X/Y and orientation; pattern comparison / contour: teach-in and detection of patterns and contours; grey threshold, brightness: evaluation of brightness; contrast: evaluation of contrast; colour area: two-dimensional colour inspection with adjustable tolerance; colour list: finding the most similar colours
Adjustment range	30 mm to infinity	Typical cycle times ²	Typ. 30 ms pattern comparison; typ. 60 ms contour; typ. 2 ms brightness; typ. 2 ms contrast; typ. 2 ms grey threshold; typ. 2 ms colour value; typ. 30 ms colour area; typ. 2 ms colour list
Integrated illumination	White LEDs		
Minimum field of view, X x Y	16 x 13 mm ²		
Electrical data		Mechanical data	
Operating voltage, +U _b	18 ... 26.4V DC ¹	Dimensions	65 x 45 x 45 mm ³ (without plug)
Current consumption (without illumination and I/O)	≤ 120 mA	Enclosure rating	IP 67
Current consumption (without I/O)	≤ 200 mA	Material, housing	Aluminium, plastic
Protective circuits	Reverse-polarity protection, U _b / short-circuit protection of all outputs	Material, front screen	Plastic
Power On Delay	Approx. 13 s after Power on	Ambient temperature: operation	0 ... +50° C ³
Outputs	PNP / NPN (switchable)	Ambient temperature: storage	-20 ... +60° C ³
Max. output current (per output)	50 mA, 100 mA (pin 12)	Weight	Approx. 160 g
Inputs	PNP/NPN High > U _b -1 V, Low < 3 V	Plug connections	Supply and I/O M12, 12-pin Ethernet M12, 4-pin Data M12, 5-pin
Input resistance	> 20 kOhm	Vibration and impact resistance	EN 60947-5-2
Encoder input	High > 4V		
Interfaces	Ethernet (LAN), RS422, RS232, EtherNet/IP		
Inputs/outputs	2 inputs, 4 outputs, 4 selectable inputs/outputs		

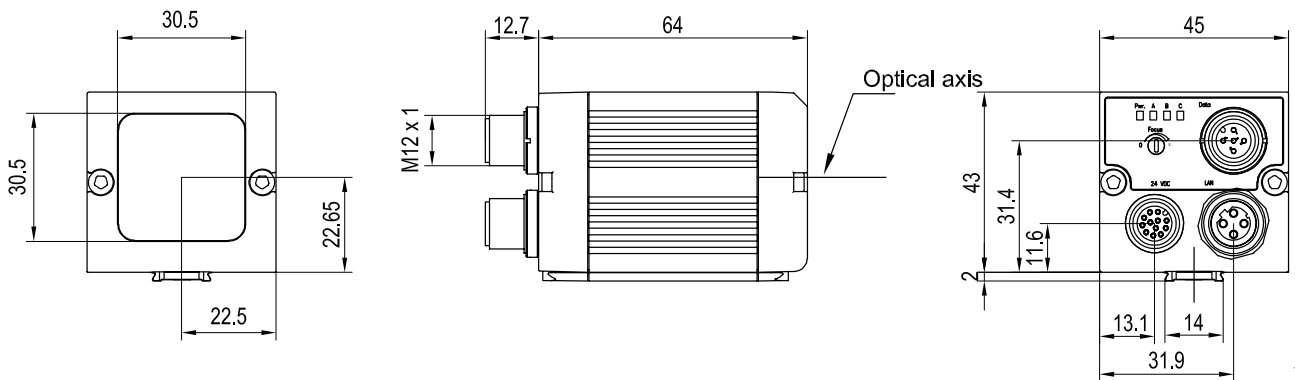
¹ Max. ripple < 5V_{SS}

² with VGA-resolution (640 x 480 pixels)

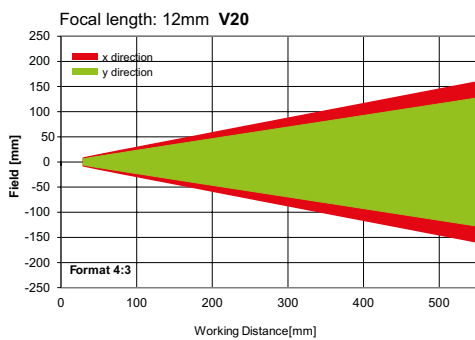
³ 80 % air humidity, non-condensing

Illumination	Part number	Article number
White	V20C-CO-A2-W12	536-91020

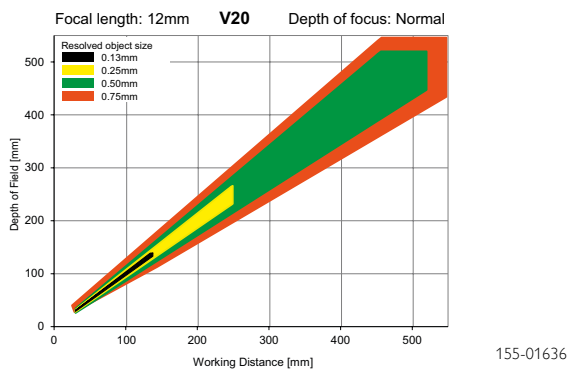
VISOR® vision sensor



Field of view



Depth of field: normal



Accessories

Connection cables	From Page A-32
Illumination	From Page A-25
Brackets	From Page A-4
Interface accessories	From Page A-36

VISOR® V20 Color

Advanced vision sensor for object detection, colour, C-mount



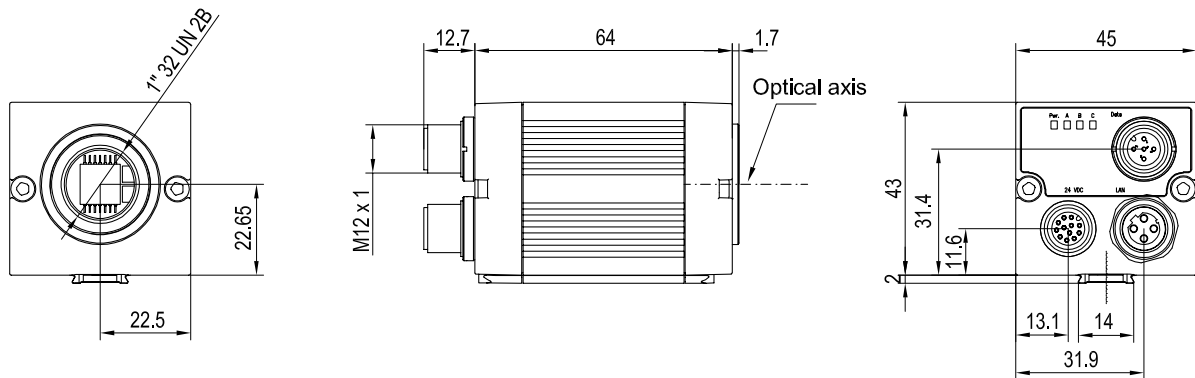
PRODUCT HIGHLIGHTS

- Object detection in colour with 1.3 megapixel resolution
- Reliable detection of very slight colour nuances or self-illuminating components
- Powerful part finding and tracking
- User-friendly configuration and viewer software with hierarchical user rights
- Unlimited number of jobs and detectors
- Encoder input

Optical data		Functions	
Resolution	1280 x 1024 pixels	Number of jobs / detectors	max. 255 / max. 255
CMOS	1/1.8", colour	Detectors	Contour; pattern comparison, contrast, brightness, grey level, colour value, colour area, colour list
Integrated lens, focal length	C-Mount	Properties	Position tracking; X/Y and orientation; pattern comparison / contour: teach-in and detection of patterns and contours; grey threshold, brightness: evaluation of brightness; contrast: evaluation of contrast; colour area: two-dimensional colour inspection with adjustable tolerance; colour list: finding the most similar colours
Adjustment range	Dependent on lens	Typical cycle times ²	Typ. 30 ms pattern comparison; typ. 60 ms contour; typ. 2 ms brightness; typ. 2 ms contrast; typ. 2 ms grey threshold; typ. 2 ms colour value; typ. 30 ms colour area; typ. 2 ms colour list
Integrated illumination	None		
Minimum field of view, X x Y	Dependent on lens		
Electrical data		Mechanical data	
Operating voltage, +U _b	18 ... 26.4V DC ¹	Dimensions	65 x 45 x 45 mm ³ (without plug)
Current consumption (without illumination and I/O)	≤ 120 mA	Enclosure rating	IP 65 ³
Current consumption (without I/O)	≤ 200 mA	Material, housing	Aluminium, plastic
Protective circuits	Reverse-polarity protection, U _b / short-circuit protection of all outputs	Material, front screen	Plastic
Power On Delay	Approx. 13 s after Power on	Ambient temperature: operation	0 ... +50 °C ⁴
Outputs	PNP / NPN (switchable)	Ambient temperature: storage	-20 ... +60 °C ⁴
Max. output current (per output)	50 mA, 100 mA (pin 12)	Weight	Approx. 160 g
Inputs	PNP/NPN High > U _b -1V, Low < 3V	Plug connections	Supply and I/O M12, 12-pin Ethernet M12, 4-pin Data M12, 5-pin
Input resistance	> 20 kOhm	Vibration and impact resistance	EN 60947-5-2
Encoder input	High > 4V		
Interfaces	Ethernet (LAN), RS422, RS232, EtherNet/IP		
Inputs/outputs	2 inputs, 4 outputs, 4 selectable inputs/outputs		

¹ Max. ripple < 5V_{SS} ² With VGA-resolution (640 x 480 Pixel) ³ With LPT45 C-mount protective casing ⁴ 80 % air humidity, non-condensing

Part number	Article number
V20C-CO-A2-C	536-91021

VISOR® vision sensor

Lens


	LO C 8	LO C 12	LO C 16	LO C 25	LO C 50
Focal length	8 mm	12 mm	16 mm	25 mm	50 mm
Article number	526-51513	526-51514	526-51515	526-51516	526-51113

Accessories

Connection cables	From Page A-32
Illumination	From Page A-25
Lenses	From Page A-23
Brackets	From Page A-4
Interface accessories	From Page A-36

VISOR® V10 Color

Standard vision sensor for object detection, colour, 6 mm



PRODUCT HIGHLIGHTS

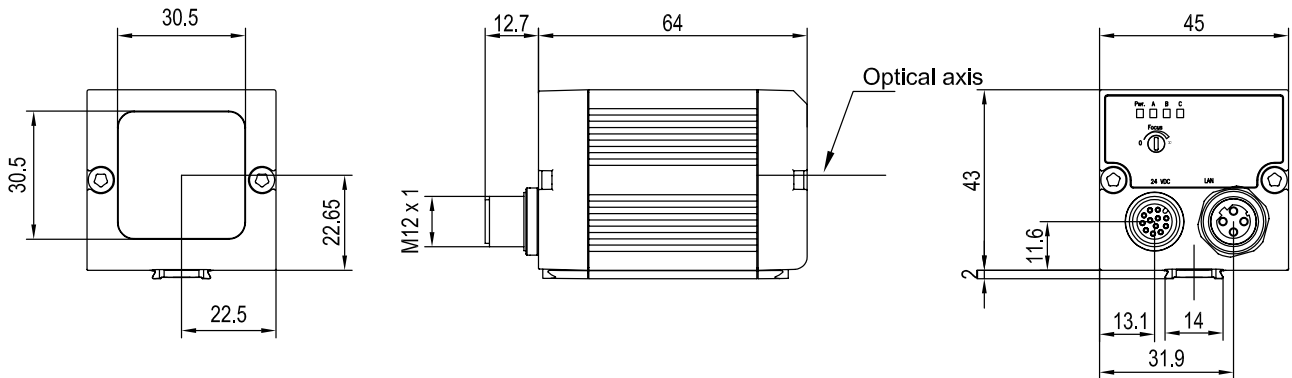
- Object detection in colour
- Reliable detection of very slight colour nuances or self-illuminating components
- Powerful part finding and tracking
- User-friendly configuration and viewer software with hierarchical user rights

Optical data		Functions	
Resolution	736 x 480 pixels	Number of jobs / detectors	8 / 32
CMOS	1/3", colour	Detectors	Position tracking X/Y and orientation via contour inspection; colour area
Integrated lens, focal length	6 mm, adjustable focal position	Properties	Position tracking X/Y and orientation; contour: teach-in and detection of contours; colour area: two-dimensional colour inspection with adjustable tolerance
Adjustment range	6 mm to infinity	Typical cycle times	Typ. 60 ms position tracking Typ. 30 ms colour area
Integrated illumination	White LEDs		
Minimum field of view, X x Y	5 x 4 mm ²		
Electrical data		Mechanical data	
Operating voltage, +U _B	18 ... 26.4 V DC ¹	Dimensions	65 x 45 x 45 mm ³ (without plug)
Current consumption (without illumination and I/O)	≤ 120 mA	Enclosure rating	IP 67
Current consumption (without I/O)	≤ 200 mA	Material, housing	Aluminium, plastic
Protective circuits	Reverse-polarity protection, U _B / short-circuit protection of all outputs	Material, front screen	Plastic
Power On Delay	Approx. 13 s after Power on	Ambient temperature: operation	0 ... +50 °C ²
Outputs	PNP / NPN (switchable)	Ambient temperature: storage	-20 ... +60 °C ²
Max. output current (per output)	50 mA, 100 mA (pin 12)	Weight	Approx. 160 g
Inputs	PNP/NPN High > U _B -1 V, Low < 3 V	Plug connections	Supply and I/O M12, 12-pin Ethernet M12, 4-pin
Input resistance	> 20 kOhm	Vibration and impact resistance	EN 60947-5-2
Interfaces	Ethernet (LAN), EtherNet/IP		
Inputs/outputs	2 inputs, 4 outputs, 2 selectable inputs/outputs		

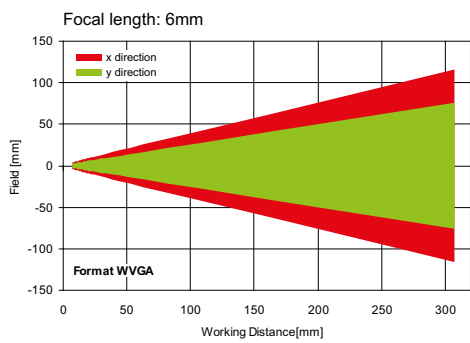
¹ Max. ripple < 5 V_{SS} ² 80 % air humidity, non-condensing

Illumination	Depth of field	Part number	Article number
White	Normal	V10C-CO-S2-W6	535-91071

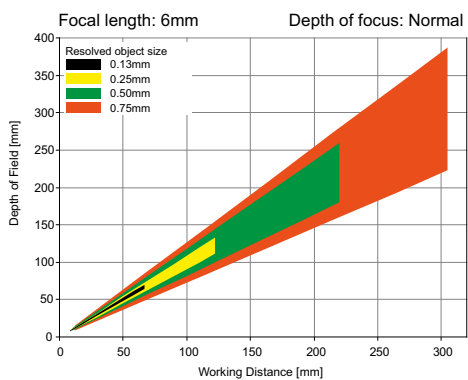
VISOR® vision sensor



Field of view



Depth of field: normal



Accessories

Connection cables	From Page A-32
Illumination	From Page A-25
Brackets	From Page A-4
Interface accessories	From Page A-36

VISOR® V10 Color

Standard vision sensor for object detection, colour, 12 mm



PRODUCT HIGHLIGHTS

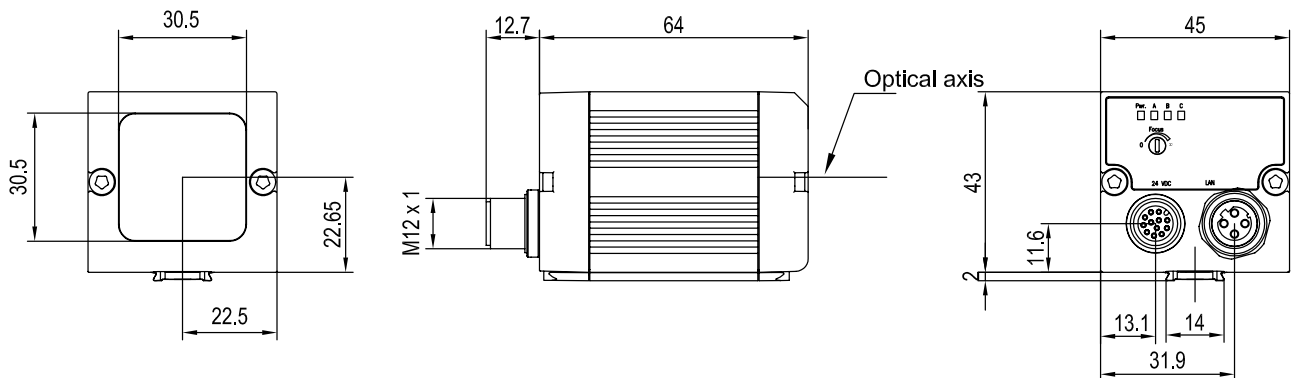
- Object detection in colour
- Reliable detection of very slight colour nuances or self-illuminating components
- Powerful part finding and tracking
- User-friendly configuration and viewer software with hierarchical user rights

Optical data		Functions	
Resolution	736 x 480 pixels	Number of jobs / detectors	8 / 32
CMOS	1/3", colour	Detectors	Position tracking X/Y and orientation via contour inspection; colour area
Integrated lens, focal length	12 mm, adjustable focal position	Properties	Position tracking X/Y and orientation; contour: teach-in and detection of contours; colour area: two-dimensional colour inspection with adjustable tolerance
Adjustment range	30 mm to infinity	Typical cycle times	Typ. 60 ms position tracking Typ. 30 ms colour area
Integrated illumination	White LEDs		
Minimum field of view, X x Y	8 x 6 mm ²		
Electrical data		Mechanical data	
Operating voltage, +U _B	18 ... 26.4 V DC ¹	Dimensions	65 x 45 x 45 mm ³ (without plug)
Current consumption (without illumination and I/O)	≤ 120 mA	Enclosure rating	IP 67
Current consumption (without I/O)	≤ 200 mA	Material, housing	Aluminium, plastic
Protective circuits	Reverse-polarity protection, U _B / short-circuit protection of all outputs	Material, front screen	Plastic
Power On Delay	Approx. 13 s after Power on	Ambient temperature: operation	0 ... +50 °C ²
Outputs	PNP / NPN (switchable)	Ambient temperature: storage	-20 ... +60 °C ²
Max. output current (per output)	50 mA, 100 mA (pin 12)	Weight	Approx. 160 g
Inputs	PNP/NPN High > U _B -1 V, Low < 3 V	Plug connections	Supply and I/O M12, 12-pin Ethernet M12, 4-pin
Input resistance	> 20 kOhm	Vibration and impact resistance	EN 60947-5-2
Interfaces	Ethernet (LAN), EtherNet/IP		
Inputs/outputs	2 inputs, 4 outputs, 2 selectable inputs/outputs		

¹ Max. ripple < 5 V_{SS} ² 80 % air humidity, non-condensing

Illumination	Depth of field	Part number	Article number
White	Normal	V10C-CO-S2-W12	535-91072

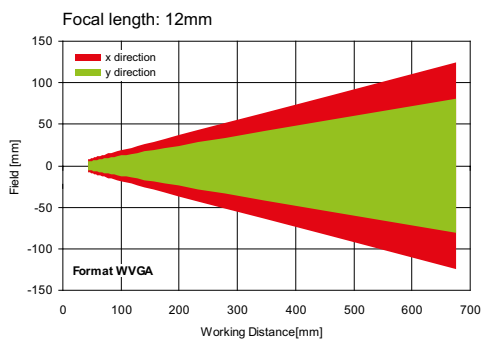
VISOR® vision sensor



153-01030

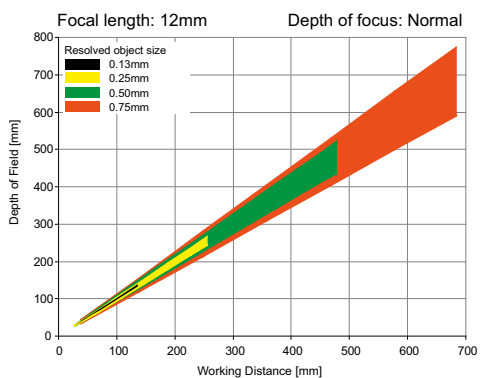
4

Field of view



155-01423

Depth of field: normal



155-01410

Accessories

Connection cables	From Page A-32
Illumination	From Page A-25
Brackets	From Page A-4
Interface accessories	From Page A-36

VISOR® V10 Color

Advanced vision sensor for object detection, colour, 6 mm



PRODUCT HIGHLIGHTS

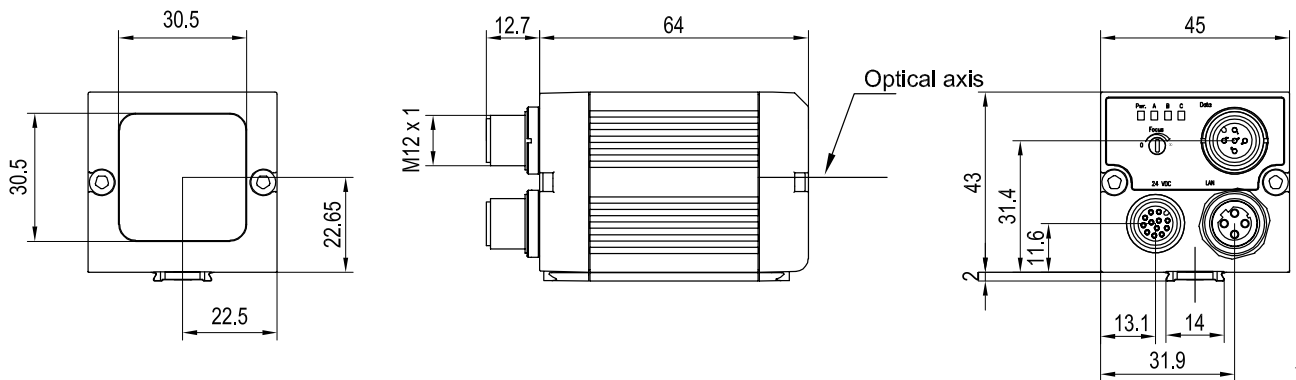
- Object detection in colour
- Reliable detection of very slight colour nuances or self-illuminating components
- Powerful part finding and tracking
- User-friendly configuration and viewer software with hierarchical user rights
- Unlimited number of jobs and detectors
- Encoder input

Optical data		Functions	
Resolution	736 x 480 pixels	Number of jobs / detectors	max. 255 / max. 255
CMOS	1/3", colour	Detectors	Contour; pattern comparison, contrast, brightness, grey level, colour value, colour area, colour list
Integrated lens, focal length	6 mm, adjustable focal position	Properties	Position tracking: X/Y and orientation; pattern comparison / contour: teach-in and detection of patterns and contours; grey threshold, brightness: evaluation of brightness; contrast: evaluation of contrast; colour area: two-dimensional colour inspection with adjustable tolerance; colour list: finding the most similar colours
Adjustment range	6 mm to infinity	Typical cycle times	Typ. 30 ms pattern comparison; typ. 60 ms contour; typ. 2 ms brightness; typ. 2 ms contrast; typ. 2 ms grey threshold; typ. 2 ms colour value; typ. 30 ms colour area; typ. 2 ms colour list
Integrated illumination	White LEDs		
Minimum field of view, X x Y	5 x 4 mm ²		
Electrical data		Mechanical data	
Operating voltage, +U _B	18 ... 26.4V DC ¹	Dimensions	65 x 45 x 45 mm ³ (without plug)
Current consumption (without illumination and I/O)	≤ 120 mA	Enclosure rating	IP 67
Current consumption (without I/O)	≤ 200 mA	Material, housing	Aluminium, plastic
Protective circuits	Reverse-polarity protection, U _B / short-circuit protection of all outputs	Material, front screen	Plastic
Power On Delay	Approx. 13 s after Power on	Ambient temperature: operation	0 ... +50 °C ²
Outputs	PNP / NPN (switchable)	Ambient temperature: storage	-20 ... +60 °C ²
Max. output current (per output)	50 mA, 100 mA (pin 12)	Weight	Approx. 160 g
Inputs	PNP/NPN High > U _B -1 V, Low < 3V	Plug connections	Supply and I/O M12, 12-pin Ethernet M12, 4-pin Data M12, 5-pin
Input resistance	> 20 kOhm	Vibration and impact resistance	EN 60947-5-2
Encoder input	High > 4V		
Interfaces	Ethernet (LAN), RS422, RS232, EtherNet/IP		
Inputs/outputs	2 inputs, 4 outputs, 4 selectable inputs/outputs		

¹ Max. ripple < 5V_{SS} ² 80 % air humidity, non-condensing

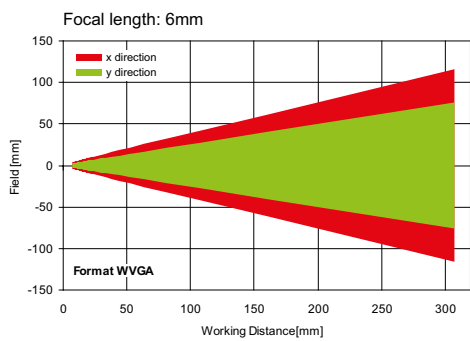
Illumination	Depth of field	Part number	Article number
White	Normal	V10C-CO-A2-W6	535-91073

VISOR® vision sensor



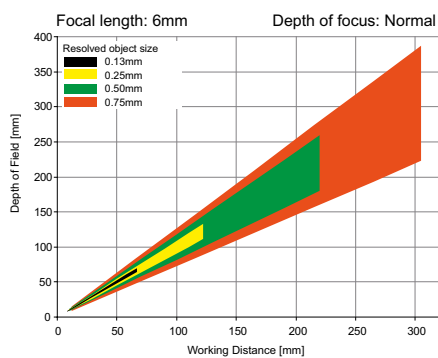
153-00911

Field of view



155-01422

Depth of field: normal



155-01409

Accessories

Connection cables	From Page A-32
Illumination	From Page A-25
Brackets	From Page A-4
Interface accessories	From Page A-36

VISOR® V10 Color

Advanced vision sensor for object detection, colour, 12 mm



PRODUCT HIGHLIGHTS

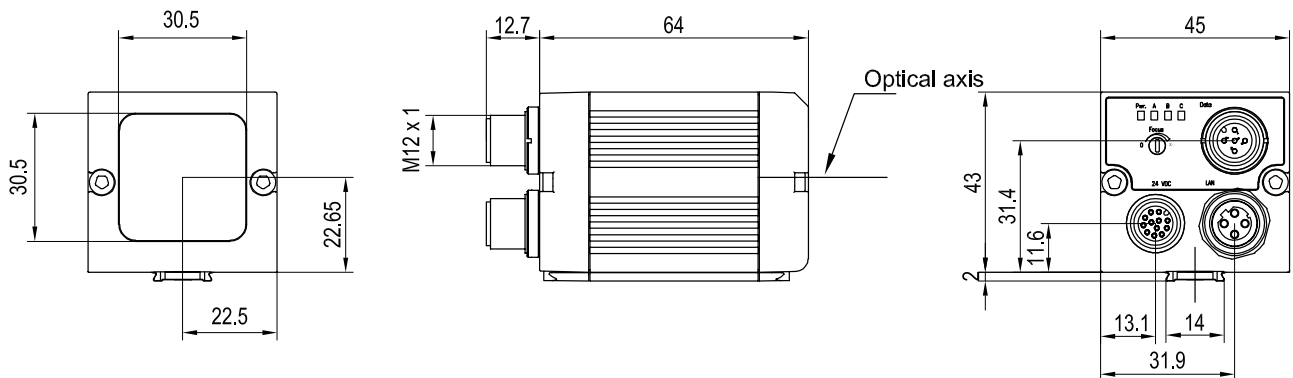
- Object detection in colour
- Reliable detection of very slight colour nuances or self-illuminating components
- Powerful part finding and tracking
- User-friendly configuration and viewer software with hierarchical user rights
- Unlimited number of jobs and detectors
- Encoder input

Optical data		Functions	
Resolution	736 x 480 pixels	Number of jobs / detectors	max. 255 / max. 255
CMOS	1/3", colour	Detectors	Contour; pattern comparison, contrast, brightness, grey level, colour value, colour area, colour list
Integrated lens, focal length	12 mm, adjustable focal position	Properties	Position tracking; X/Y and orientation; pattern comparison / contour: teach-in and detection of patterns and contours; grey threshold, brightness: evaluation of brightness; contrast: evaluation of contrast; colour area: two-dimensional colour inspection with adjustable tolerance; colour list: finding the most similar colours
Adjustment range	30 mm to infinity	Typical cycle times	Typ. 30 ms pattern comparison; typ. 60 ms contour; typ. 2 ms brightness; typ. 2 ms contrast; typ. 2 ms grey threshold; typ. 2 ms colour value; typ. 30 ms colour area; typ. 2 ms colour list
Integrated illumination	White LEDs		
Minimum field of view, X x Y	8 x 6 mm ²		
Electrical data		Mechanical data	
Operating voltage, +U _b	18 ... 26.4 V DC ¹	Dimensions	65 x 45 x 45 mm ³ (without plug)
Current consumption (without illumination and I/O)	≤ 120 mA	Enclosure rating	IP 67
Current consumption (without I/O)	≤ 200 mA	Material, housing	Aluminium, plastic
Protective circuits	Reverse-polarity protection, U _b / short-circuit protection of all outputs	Material, front screen	Plastic
Power On Delay	Approx. 13 s after Power on	Ambient temperature: operation	0 ... +50° C ²
Outputs	PNP / NPN (switchable)	Ambient temperature: storage	-20 ... +60° C ²
Max. output current (per output)	50 mA, 100 mA (pin 12)	Weight	Approx. 160 g
Inputs	PNP/NPN High > U _b -1 V, Low < 3 V	Plug connections	Supply and I/O M12, 12-pin Ethernet M12, 4-pin Data M12, 5-pin
Input resistance	> 20 kOhm	Vibration and impact resistance	EN 60947-5-2
Encoder input	High > 4 V		
Interfaces	Ethernet (LAN), RS422, RS232, EtherNet/IP		
Inputs/outputs	2 inputs, 4 outputs, 4 selectable inputs/outputs		

¹ Max. ripple < 5V_{SS} ² 80 % air humidity, non-condensing

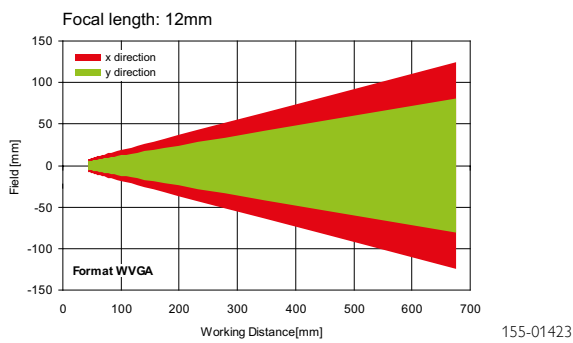
Illumination	Depth of field	Part number	Article number
White	Normal	V10C-CO-A2-W12	535-91074

VISOR® vision sensor



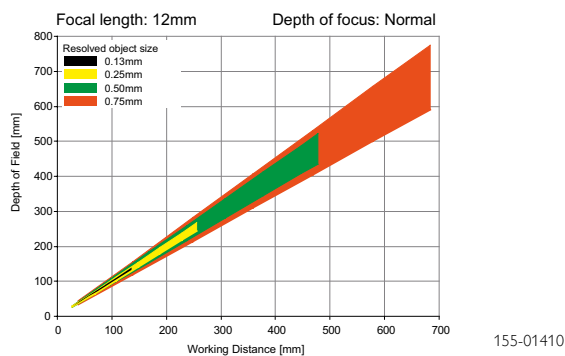
153-00911

Field of view



155-01423

Depth of field: normal



155-01410

Accessories

Connection cables	From Page A-32
Illumination	From Page A-25
Brackets	From Page A-4
Interface accessories	From Page A-36

VISOR® V10 Color

Advanced vision sensor for object detection, colour, 25 mm



PRODUCT HIGHLIGHTS

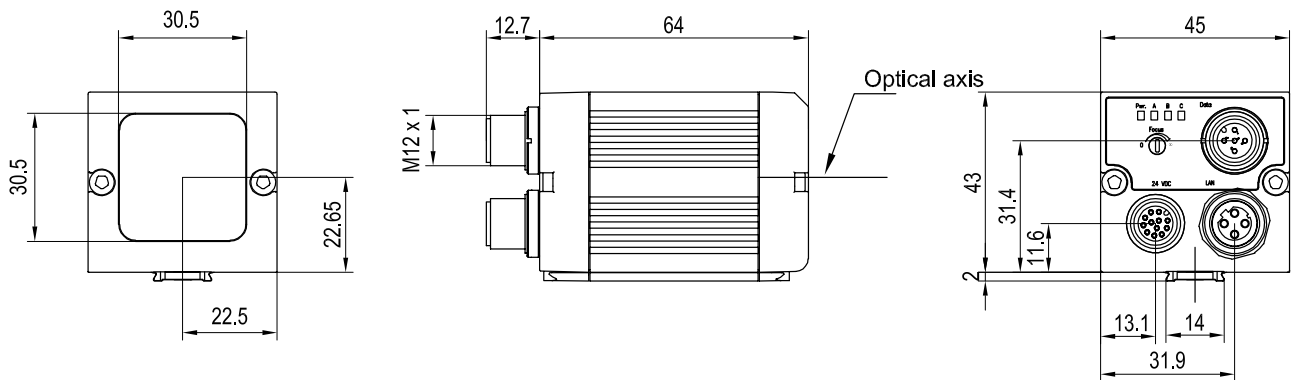
- Object detection in colour
- Reliable detection of very slight colour nuances or self-illuminating components
- Powerful part finding and tracking
- User-friendly configuration and viewer software with hierarchical user rights
- Unlimited number of jobs and detectors
- Encoder input

Optical data		Functions	
Resolution	736 x 480 pixels	Number of jobs / detectors	max. 255 / max. 255
CMOS	1/3", colour	Detectors	Contour; pattern comparison, contrast, brightness, grey level, colour value, colour area, colour list
Integrated lens, focal length	25 mm, adjustable focal position	Properties	Position tracking; X/Y and orientation; pattern comparison / contour: teach-in and detection of patterns and contours; grey threshold, brightness: evaluation of brightness; contrast: evaluation of contrast; colour area: two-dimensional colour inspection with adjustable tolerance; colour list: finding the most similar colours
Adjustment range	140 mm to infinity	Typical cycle times	Typ. 30 ms pattern comparison; typ. 60 ms contour; typ. 2 ms brightness; typ. 2 ms contrast; typ. 2 ms grey threshold; typ. 2 ms colour value; typ. 30 ms colour area; typ. 2 ms colour list
Integrated illumination	White LEDs		
Minimum field of view, X x Y	18 x 14 mm ²		
Electrical data		Mechanical data	
Operating voltage, +U _b	18 ... 26.4V DC ¹	Dimensions	65 x 45 x 45 mm ³ (without plug)
Current consumption (without illumination and I/O)	≤ 120 mA	Enclosure rating	IP 67
Current consumption (without I/O)	≤ 200 mA	Material, housing	Aluminium, plastic
Protective circuits	Reverse-polarity protection, U _b / short-circuit protection of all outputs	Material, front screen	Plastic
Power On Delay	Approx. 13 s after Power on	Ambient temperature: operation	0 ... +50 °C ²
Outputs	PNP / NPN (switchable)	Ambient temperature: storage	-20 ... +60 °C ²
Max. output current (per output)	50 mA, 100 mA (pin 12)	Weight	Approx. 160 g
Inputs	PNP/NPN High > U _b -1 V, Low < 3 V	Plug connections	Supply and I/O M12, 12-pin Ethernet M12, 4-pin Data M12, 5-pin
Input resistance	> 20 kOhm	Vibration and impact resistance	EN 60947-5-2
Encoder input	High > 4V		
Interfaces	Ethernet (LAN), RS422, RS232, EtherNet/IP		
Inputs/outputs	2 inputs, 4 outputs, 4 selectable inputs/outputs		

¹ Max. ripple < 5V_{SS} ² 80 % air humidity, non-condensing

Illumination	Depth of field	Part number	Article number
White	Normal	V10C-CO-A2-W25	535-91075

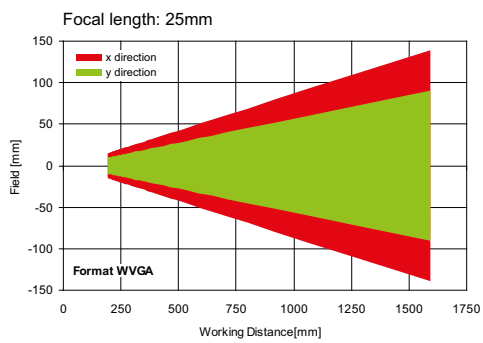
VISOR® vision sensor



153-00911

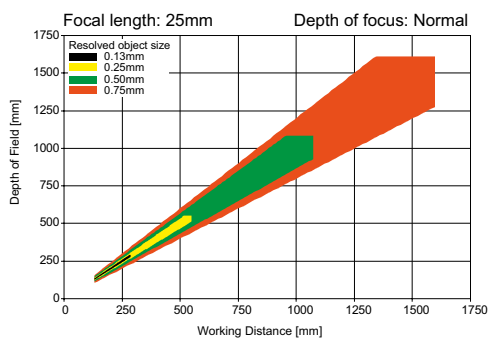
4

Field of view



155-01424

Depth of field: normal



155-01412

Accessories

Connection cables	From Page A-32
Illumination	From Page A-25
Brackets	From Page A-4
Interface accessories	From Page A-36

VISOR® V10 Color

Advanced vision sensor for object detection, colour, C-mount



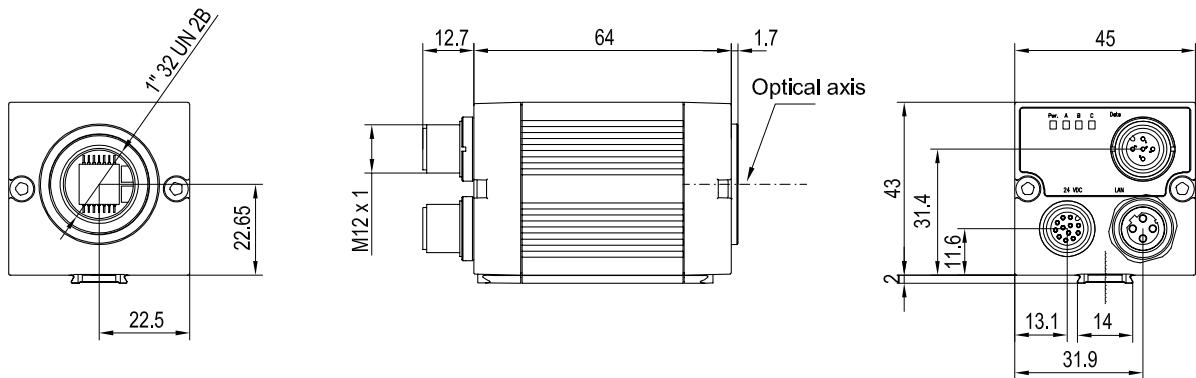
PRODUCT HIGHLIGHTS

- Object detection in colour
- Reliable detection of very slight colour nuances or self-illuminating components
- Powerful part finding and tracking
- User-friendly configuration and viewer software with hierarchical user rights
- Unlimited number of jobs and detectors
- Encoder input

Optical data		Functions	
Resolution	736 x 480 pixels	Number of jobs / detectors	max. 255 / max. 255
CMOS	1/3", colour	Detectors	Contour; pattern comparison, contrast, brightness, grey level, colour value, colour area, colour list
Integrated lens, focal length	C-Mount	Properties	Position tracking; X/Y and orientation; pattern comparison / contour: teach-in and detection of patterns and contours; grey threshold, brightness: evaluation of brightness; contrast: evaluation of contrast; colour area: two-dimensional colour inspection with adjustable tolerance; colour list: finding the most similar colours
Adjustment range	Dependent on lens	Typical cycle times	Typ. 30 ms pattern comparison; typ. 60 ms contour; typ. 2 ms brightness; typ. 2 ms contrast; typ. 2 ms grey threshold; typ. 2 ms colour value; typ. 30 ms colour area; typ. 2 ms colour list
Integrated illumination	None		
Minimum field of view, X x Y	Dependent on lens		
Electrical data		Mechanical data	
Operating voltage, +U _b	18 ... 26.4V DC ¹	Dimensions	65 x 45 x 45 mm ³ (without plug)
Current consumption (without illumination and I/O)	≤ 120 mA	Enclosure rating	IP 65 ²
Current consumption (without I/O)	≤ 200 mA	Material, housing	Aluminium, plastic
Protective circuits	Reverse-polarity protection, U _b / short-circuit protection of all outputs	Material, front screen	Plastic
Power On Delay	Approx. 13 s after Power on	Ambient temperature: operation	0 ... +50 °C ³
Outputs	PNP / NPN (switchable)	Ambient temperature: storage	-20 ... +60 °C ³
Max. output current (per output)	50 mA, 100 mA (pin 12)	Weight	Approx. 160 g
Inputs	PNP/NPN High > U _b -1V, Low < 3V	Plug connections	Supply and I/O M12, 12-pin Ethernet M12, 4-pin Data M12, 5-pin
Input resistance	> 20 kOhm	Vibration and impact resistance	EN 60947-5-2
Encoder input	High > 4V		
Interfaces	Ethernet (LAN), RS422, RS232, EtherNet/IP		
Inputs/outputs	2 inputs, 4 outputs, 4 selectable inputs/outputs		

¹ Max. ripple < 5V_{SS} ² With LPT45 C-mount protective casing ³ 80 % air humidity, non-condensing

Part number	Article number
V10C-CO-A2-C	535-91076

VISOR® vision sensor


153-00912

Lens


	LO C 8	LO C 12	LO C 16	LO C 25	LO C 50
Focal length	8 mm	12 mm	16 mm	25 mm	50 mm
Article number	526-51513	526-51514	526-51515	526-51516	526-51113

Accessories

Connection cables	From Page A-32
Illumination	From Page A-25
Lenses	From Page A-23
Brackets	From Page A-4
Interface accessories	From Page A-36