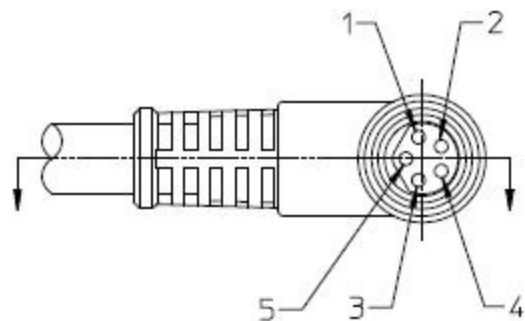


1	BROWN
2	WHITE
3	BLUE
4	BLACK
5	GRAY

WIRING DIAGRAM

NOTES:

- 1. MATERIAL: SEE TABLE
- 2. FINISHES: SEE TABLE
- 3. PART IS RoHS COMPLIANT BY EXEMPTION (\*)
- 6. ELECTRICAL SPECIFICATIONS:  
VOLTAGE RATING: 60VAC/75VDC  
CURRENT RATING: 3 AMPS



MALE FACE VIEW

Cognex PN: 185-1137R