

## Linear-Transducer LMP30 - PB

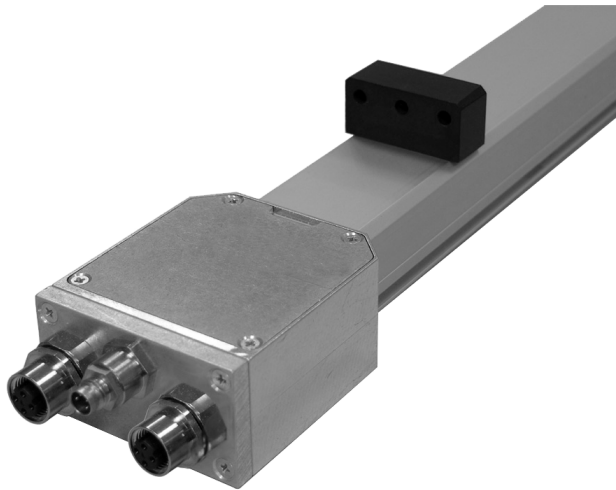
Ref.: K-LMP30-PB-1

14.11.2013

0102010110

### Advantages

- \_ Customer-specific solutions
- \_ Flexible programming
- \_ Further interfaces available
- \_ Measures linear movements
- \_ Position value - Adjustment
- \_ Profile housing
- \_ Simple integration
- \_ Wear-free detection



### General Data

Supply	
- Supply voltage	24 VDC, -20...+10 %
Current consumption no load	<= 150 mA
Measuring principle	magnetostrictive
Measuring length, standard	50...4000 mm, in steps
Resolution	0.001 mm
Linearity deviation	± 0.10 mm <= 1500 mm ± 0.15 mm > 1500 mm
Reproducibility	0.005 mm
Hysteresis	0.02 mm <= 1500 mm 0.1 mm > 1500 mm
Temperature coefficient	< 8 µm/°C <= 500 mm < 15 ppm/°C > 500 mm
Straight line velocity	no restrictions
Mounting position	no restrictions
Material - Measuring body	Aluminium extruded profile
Magnet	T1-S3818 other on request
PROFIBUS - Interface	
- PROFIBUS-DP V0	IEC 61158, IEC 61784
- PNO Encoder-Profile	Class 1 and 2

Subject to change.

TR-Electronic GmbH  
 Eglisshalde 6  
 78647 Trossingen  
 Tel. +49 (0) 7425 228-0  
 info@tr-electronic.de  
[www.tr-electronic.de](http://www.tr-electronic.de)

## Linear-Transducer LMP30 - PB

Ref.: K-LMP30-PB-1

14.11.2013

0102010110

### General Data continuation

Transmission rate - Specific value	9.6... 12000 kbit/s
Parameter/Function, changeable	Resolution
	Preset parameter
	Counting direction
	Velocity parameter
Type of parametrization	programmable
Prgramming - Tool	Fieldbus-Device
	TR-Soft: TRWinProg
Cycle time internal, <= 1.00 m	1.00 ms
Cycle time internal, <= 1.50 m	1.50 ms
Cycle time internal, <= 2.00 m	2.00 ms
Cycle time internal, <= 2.50 m	2.50 ms
Cycle time internal, > 2.50 m	3.00 ms
Optional Magnets - Number of magnets	3, 30
- Magnet - Minimum distance	80 mm

### Environmental conditions

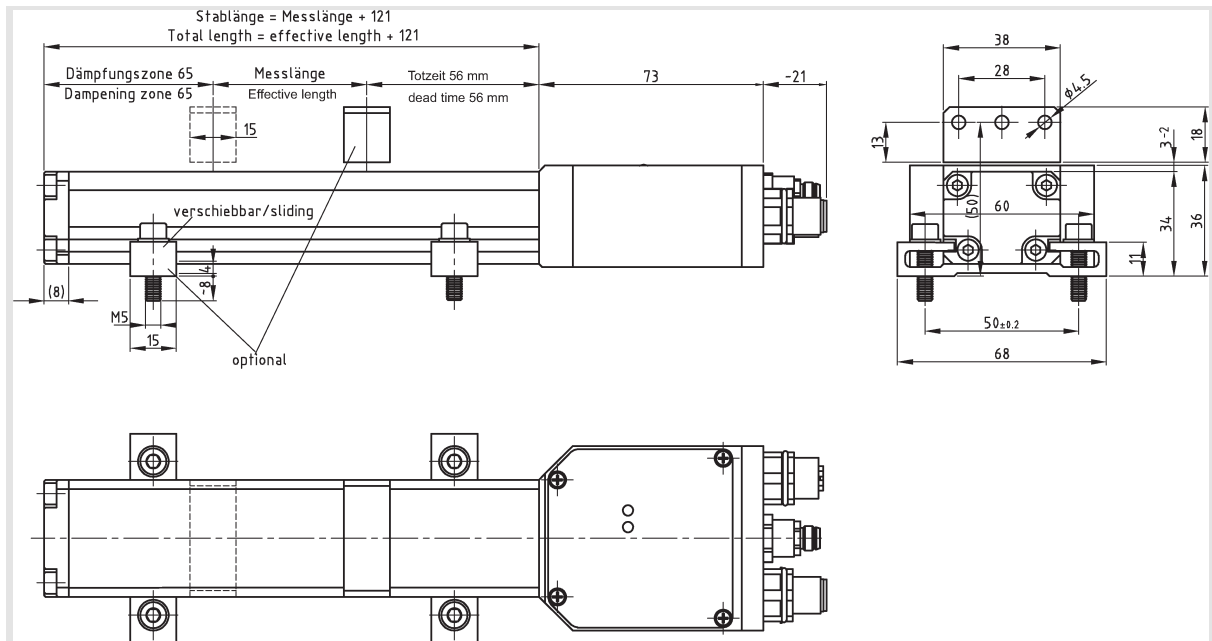
Vibration - Specific value	<= 100 m/s <sup>2</sup>
- Sine	50...2000 Hz
Shock - Specific value	<= 1000 m/s <sup>2</sup>
- Half sine	11 ms
Immunity to disturbance	DIN EN 61000-6-2
Transient emissions	DIN EN 61000-6-3
Working temperature - Standard	0...+70 °C
- Optional	-20...+70 °C;
Storage temperature, dry	-30...+85 °C
Relative humidity	98 %, non condensing
Protection class - Standard	IP65
Stray magnetic field	< 3 mT
Measuring reference	Measuring plane

Subject to change.

# Linear-Transducer LMP30 - PB

**Ref.: K-LMP30-PB-1**  
 14.11.2013  
 0102010110

## Dimensional drawing



## Suggested products

LMP_30*750 PB R 0,005mm 2x5polM12 1x4polM8	322-00055
LMP_30*500 PB R 0,005mm 2x5polM12 1x4polM8	322-00056
LMP_30*1000 PB R 0,005mm 2x5polM12 1x4polM8	322-00072
LMP_30*150 PB R 0,005mm 2x5polM12 1x4polM8	322-00098
LMP_30*300 PB R 0,005mm 2x5polM12 1x4polM8	322-00290

Subject to change.

TR-Electronic GmbH  
 Eglisshalde 6  
 78647 Trossingen  
 Tel. +49 (0) 7425 228-0  
 info@tr-electronic.de  
[www.tr-electronic.de](http://www.tr-electronic.de)