

# Absolute-Encoder CMF36S - SSI

Ref.: K-CMF36-SSI-1

18.11.2013

010102003601010105

## Advantages

- \_ Customer-specific solutions
- \_ Encapsulated electronics
- \_ Further interfaces available
- \_ High-pressure jet protected
- \_ Very small construction



## General Data

Supply	
- Supply voltage	11...27 VDC
- Optional	5 VDC $\pm$ 10 %
Current consumption no load	$\leq$ 40 mA
Device design	
- Type	Single-Turn
Total resolution	$\leq$ 12 Bit
Number of steps per revolution	$\leq$ 4096
Accuracy	$\pm$ 1,4 °
SSI - Interface	
- SSI-Clock input	Optocoupler
- SSI-Data output	RS-485, 2-wire
- SSI-Clock frequency	80...1000 kHz
- SSI-Mono time, typically	20 $\mu$ s
Parameter/Function, changeable	Resolution
	Output code
	Number of data bits
	Adjustment - Parameter
	SSI-Output
	Counting direction
Type of parametrization	programmable

Subject to change.

TR-Electronic GmbH  
 Eglisshalde 6  
 78647 Trossingen  
 Tel. +49 (0) 7425 228-0  
 info@tr-electronic.de  
[www.tr-electronic.de](http://www.tr-electronic.de)

## Absolute-Encoder CMF36S - SSI

Ref.: K-CMF36-SSI-1

18.11.2013

010102003601010105

### General Data continuation

Prgramming - Tool	TR-Soft: TRWinProg
External inputs - F/R	Count direction
- Preset	electronic adjustment
- Logic level	"0" < +2V, "1" = Supply
Concentricity tolerance	0,2 mm
Permissible axial tolerance	± 0,15 mm
Mass, typically	0.15 kg

### Environmental conditions

Vibration - Specific value	<= 100 m/s <sup>2</sup>
- Sine	50...2000 Hz
Shock - Specific value	<= 1000 m/s <sup>2</sup>
- Half sine	11 ms
Immunity to disturbance	DIN EN 61000-6-2
Transient emissions	DIN EN 61000-6-3
Working temperature - Standard	-25...+70 °C
Storage temperature, dry	-20...+85 °C
Relative humidity	98 %
Protection class - Standard	IP65
- Optional	IP69K

Subject to change.

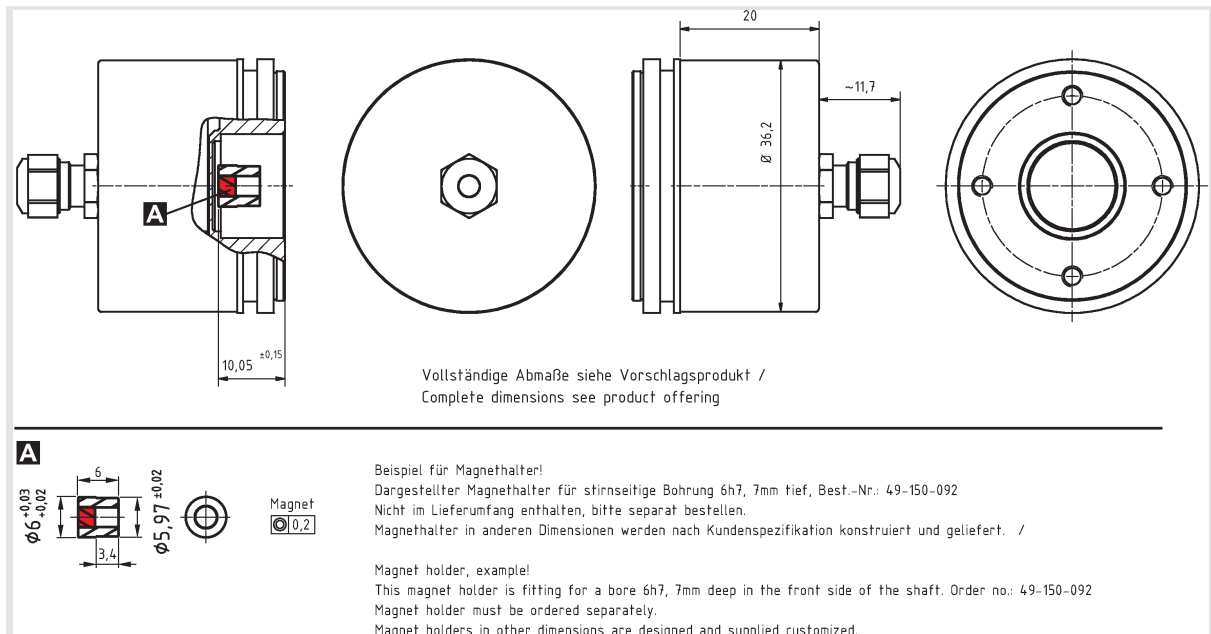
# Absolute-Encoder CMF36S - SSI

Ref.: K-CMF36-SSI-1

18.11.2013

010102003601010105

## Dimensional drawing



## Suggested products

CMF36S\*4096/1 V999 SSI

CMF36S-00002

Subject to change.

TR-Electronic GmbH  
Eglishalde 6  
78647 Trossingen  
Tel. +49 (0) 7425 228-0  
info@tr-electronic.de  
[www.tr-electronic.de](http://www.tr-electronic.de)