



**Basler**

## **Technical Specification**

**Power supply 12V, 6p HRS**

**for ace series**

**Order Number 2000029512**

**Basler AG**

**An der Strusbek 60-62**

**22926 Ahrensburg, Germany**

# Specification

## 1. NOTES:

DIMENSIONS ARE IN MM UNLESS SPECIFIED OTHERWISE.

## 2. ELECTRICAL SPECIFICATIONS:

INPUT VOLTAGE:	100-240 VAC
INPUT CURRENT:	< 0.6 A RMS MAX
INPUT FREQUENCY:	47 - 63 HZ
OUTPUT VOLTAGE:	12 VDC, NO LOAD TO FULL LOAD, NO MINIMUM LOAD REQUIRED
OUTPUT REGULATION:	+/- 5% MEASURED AT THE OUTPUT CONNECTOR
LINE VOLTAGE REGULATION:	+/- 1% TYPICAL MEASURED AT FULL LOAD
OUTPUT RIPPLE (PEAK TO PEAK):	1% OR 150 mV WHICHEVER IS GREATER. MEASURED AT 20 MHz BANDWIDTH WITH 0.1 µf CERAMIC CAPACITOR IN PARALLEL WITH 10 µf ELECTROLYTIC CAPACITOR CONNECTED AT THE END OF OUTPUT CONNECTOR AT NOMINAL LINE
TURN-ON/TURN-OFF OVERSHOOT:	5% MAXIMUM, 1ms TYPICAL RECOVERY TIME FOR 25% STEP LOAD
TURN-ON DELAY:	1 SECOND, TYPICAL
HOLD-UP TIME:	10ms TYPICAL AT NOMINAL INPUT VOLTAGE AND FULL LOAD
INRUSH CURRENT:	30A TYPICAL AT 115Vac INPUT AND 60A TYPICAL AT 230Vac INPUT
SWITCHING FREQUENCY:	65 KHz TYPICAL, VARIES WITH LINE AND LOAD
<b>PROTECTION</b>	
OVER-VOLTAGE:	PROTECTED WITH ZENER CLAMP ACROSS OUTPUT
SHORT CIRCUIT:	PROTECTED, UNIT WILL RECOVER UPON REMOVAL OF FAULT
INPUT PROTECTION:	PROTECTED, UNIT WILL RECOVER UPON REMOVAL OF FAULT
<b>SAFETY</b>	
DIELECTRIC WITHSTAND VOLTAGE: FOR CLASS II WITH FUNCTIONAL EARTH VERSIONS:	4242Vdc FROM PRIMARY TO SECONDARY
EARTH LEAKAGE CURRENT:	3.5 mA at 240Vac INPUT VOLTAGE
<b>APPROVALS</b>	

EMI:	COMPLIES WITH EN55022 CLASS B AND FCC PART 15 CLASS B, VCCI WHEN TESTED WITH RESISTIVE LOAD, BOTH CONDUCTED AND RADIATED EMI
CE MARK:	TESTED TO COMPLY WITH EN61000-3-2 EN610003-3 AND EN50082-1 INCLUDING EN61000-4-2, EN61000-4-3, EN61000-4-4, EN61000-4-5, EN61000-4-6, EN61000-4-11
EFFICIENCY:	COMPLIES WITH ENERGY STAR TIER 2 (NORTH AMERICA), CECP TIER 2 (CHINA), MEPS TIER 2 (AUSTRALIA), CODE OF CONDUCT (EUROPE), 5.1 ~ 6.9V WITH 1000 mm CABLE ONLY
<b>OTHERS</b>	
MTBF:	200,000 HOURS AT 25°C AMBIENT TEMPERATURE
OPERATING TEMPERATURE:	0°C TO 40°C AMBIENT TEMPERATURE
HUMIDITY:	0% TO 90% RELATIVE HUMIDITY
STORAGE TEMPERATURE:	-10°C TO 80°C
ROHS:	COMPLIES WITH EU 2002/95/EC AND CHINA SJ/T 11363-2006

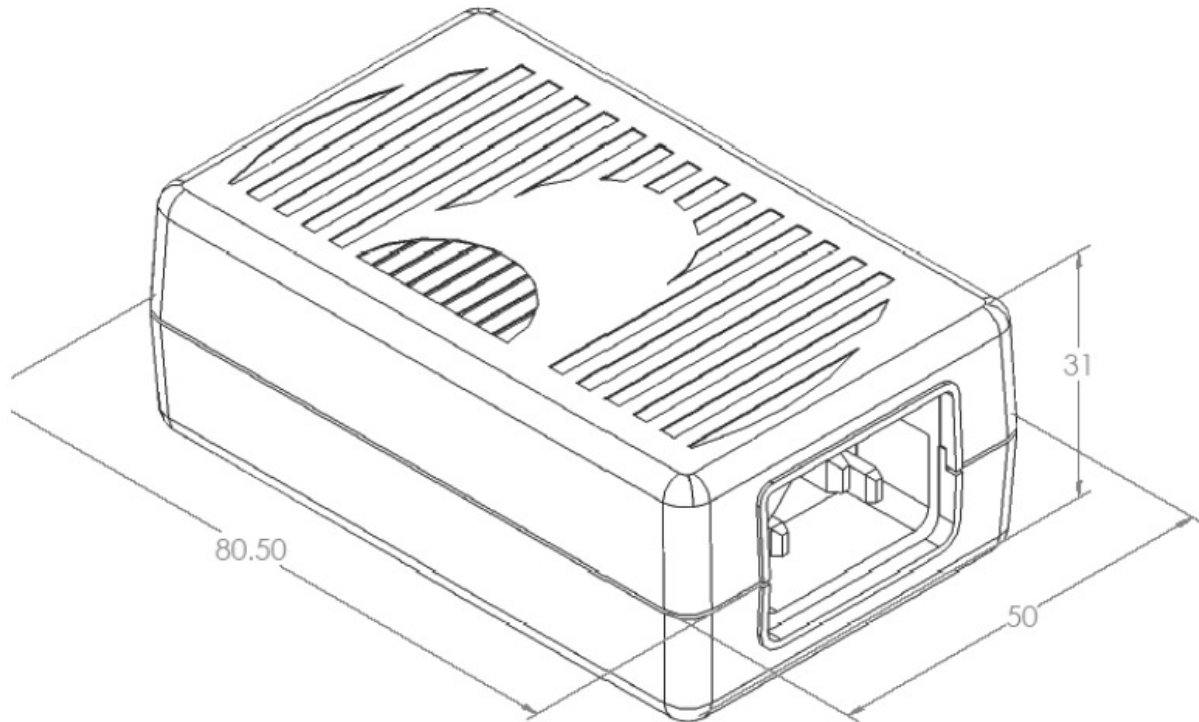


### 3. ENCLOSURE

UPPER HOUSING: HIGH IMPACT PLASTIC, 94V0 POLYCARBONATE, NON-VENTED, COLOR BLACK

LOWER HOUSING: HIGH IMPACT PLASTIC 94V0 POLYCARBONATE, NON- VENTED, COLOR BLACK

SIZE: 80.5 x 50 x 31 mm



### 4. INPUT PLUG:

CONFIGURATION: IEC 60320/C14, 3 PRONGS MALE RECEPTACLE, CLASS I TYPE

### 5. OUTPUT CORD AND CONNECTOR:

#### OUTPUT CORD :

1 CONDUCTOR + SHIELD, 18 AWG STRANDED WIRE, ROUND # 1185, COLOR BLACK, LENGTH (L) OF CORD: 1830 +150, -0 mm.

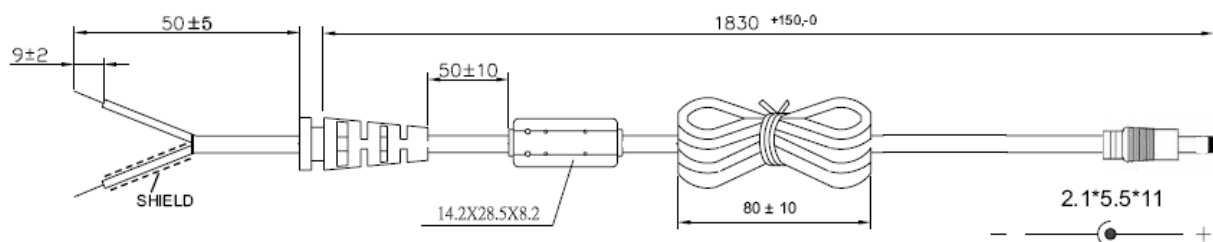
CORD IS MEASURED FROM THE HOUSING TO THE END OF OVERMOLD OF THE CONNECTOR.

CABLE IS TO BE MARKED WITH WIRE GAUGE, AND ALL APPLICABLE RATING AND SAFETY APPROVALS.

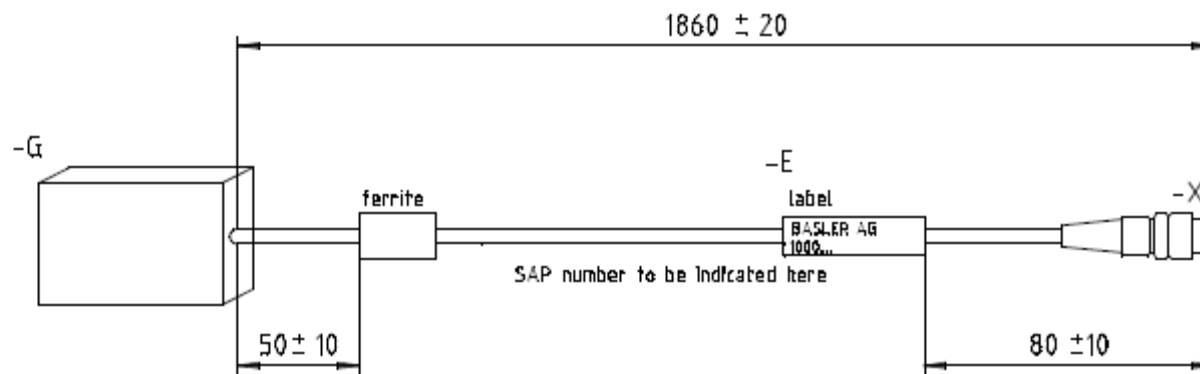
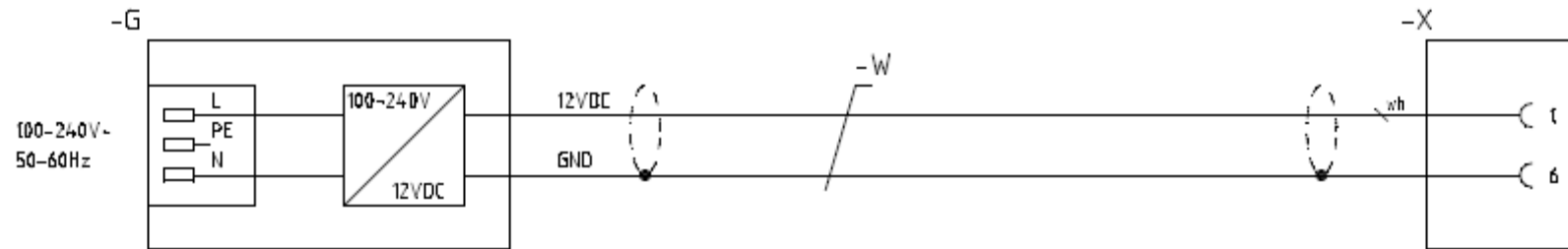
CABLE HAS MOLDED INLINE FERRITE.

#### OUTPUT CONNECTOR:

STANDARD, STRAIGHT FEMALE BARREL 5.5 x 2.1 x 11 mm WITH CENTER POSITIVE:



## Drawing



## **Contacting Basler Support Worldwide**

### **Europe:**

Basler AG  
An der Strusbek 60 - 62  
22926 Ahrensburg  
Germany

Tel.: +49-4102-463-500  
Fax.: +49-4102-463-599

[bc.support.europe@baslerweb.com](mailto:bc.support.europe@baslerweb.com)

### **Americas:**

Basler, Inc.  
855 Springdale Drive, Suite 160  
Exton, PA 19341  
U.S.A.

Tel.: +1-877-934-8472  
Fax.: +1-610-280-7608

[bc.support.usa@baslerweb.com](mailto:bc.support.usa@baslerweb.com)

### **Asia:**

Basler Asia Pte. Ltd.  
8 Boon Lay Way  
# 03 - 03 Tradehub 21  
Singapore 609964

Tel.: +65-6425-0472  
Fax.: +65-6425-0473

[bc.support.asia@baslerweb.com](mailto:bc.support.asia@baslerweb.com)

[www.baslerweb.com](http://www.baslerweb.com)

**All material in this publication is subject to change  
without notice and is copyright Basler Vision Technologies.**